



## 42in Bagger Kit

### Shield Zero Turn Riding Mower

Model No. SP09101—Serial No. 40000000 and Up

# Parts Catalog



# Ordering Replacement Parts

To order replacement parts, please supply the part number, the quantity, and the description of each part desired.

## Understanding Reference Numbers

Each identified part in an illustration has a reference number. The reference number for a part also appears in the parts list, along with other information about the part.

This catalog uses two special reference number formats, one to indicate parts in a service assembly and another to indicate the quantity of a given part in an illustration.

## Service Assembly Reference Numbers

Parts in service assemblies have reference numbers in the form a:b. The a represents the reference number of the entire service assembly and the b represents a sequential number unique to each part within the service assembly.

For example, a wheel assembly might be identified by reference number 6, the tire by 6:1, the valve by 6:2, and the wheel by 6:3. When you order the assembly identified by reference number 6, you receive all parts identified by reference numbers 6:1, 6:2, and 6:3. However, you may also order any part individually. Reference numbers of this type appear in illustration and in parts lists.

## Reference Numbers Indicating Quantity

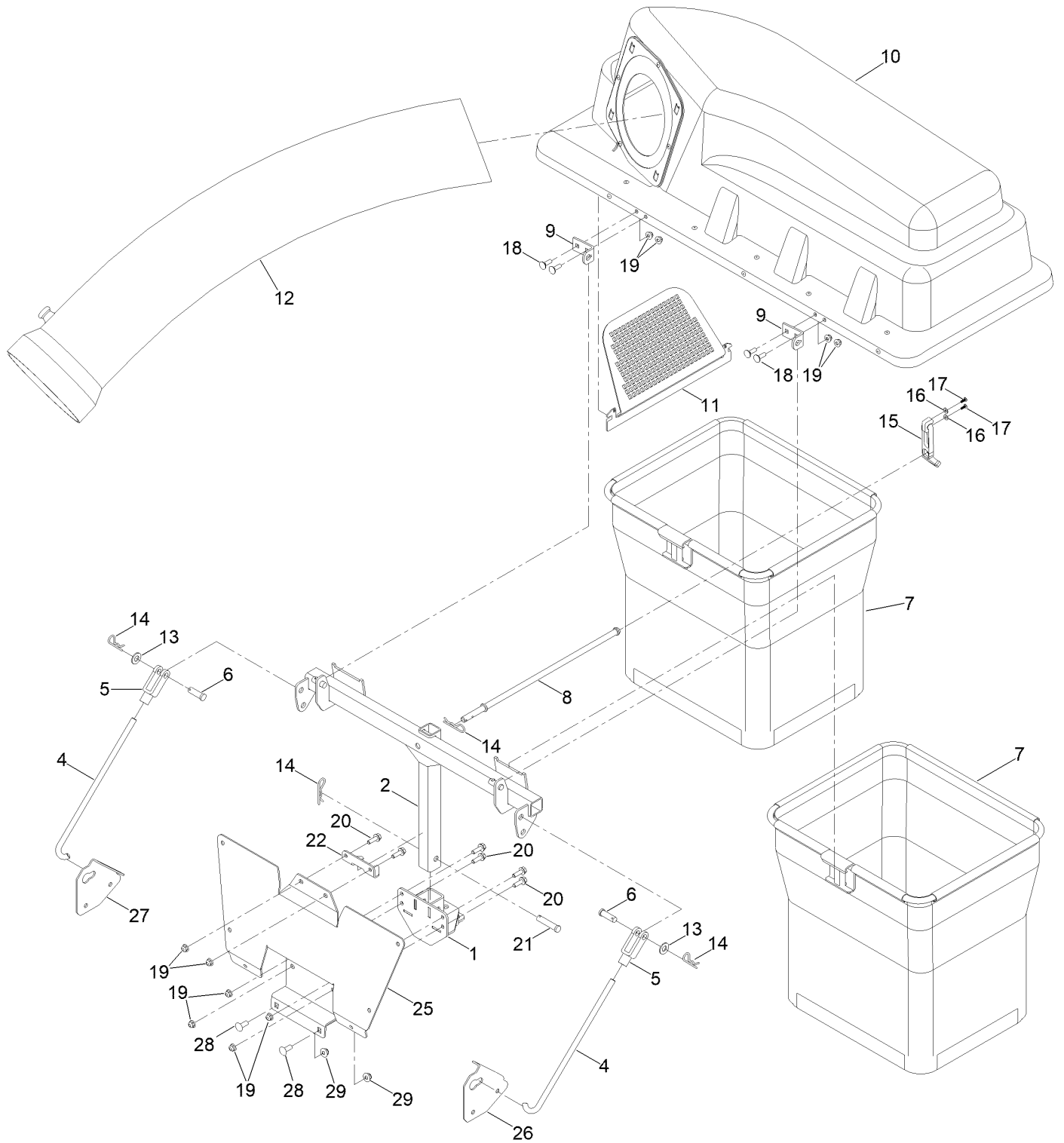
In an illustration, if a reference number indicates more than one part, the reference number has the form nX y. The n represents the quantity of the part, the X is the multiplication symbol, and the y represents the reference number.

For example, in an illustration, the reference number 2X 37 means that two of the parts identified by reference number 37 are indicated.

# Contents

Twin Bag Assembly .....	4
Bag and Frame Assembly No. 147-2888 .....	6
Bagger Top Assembly No. 140-5096 .....	8
Weight Assembly .....	10
Chute Assembly .....	12
Chute Assembly No. 161-4475 .....	14

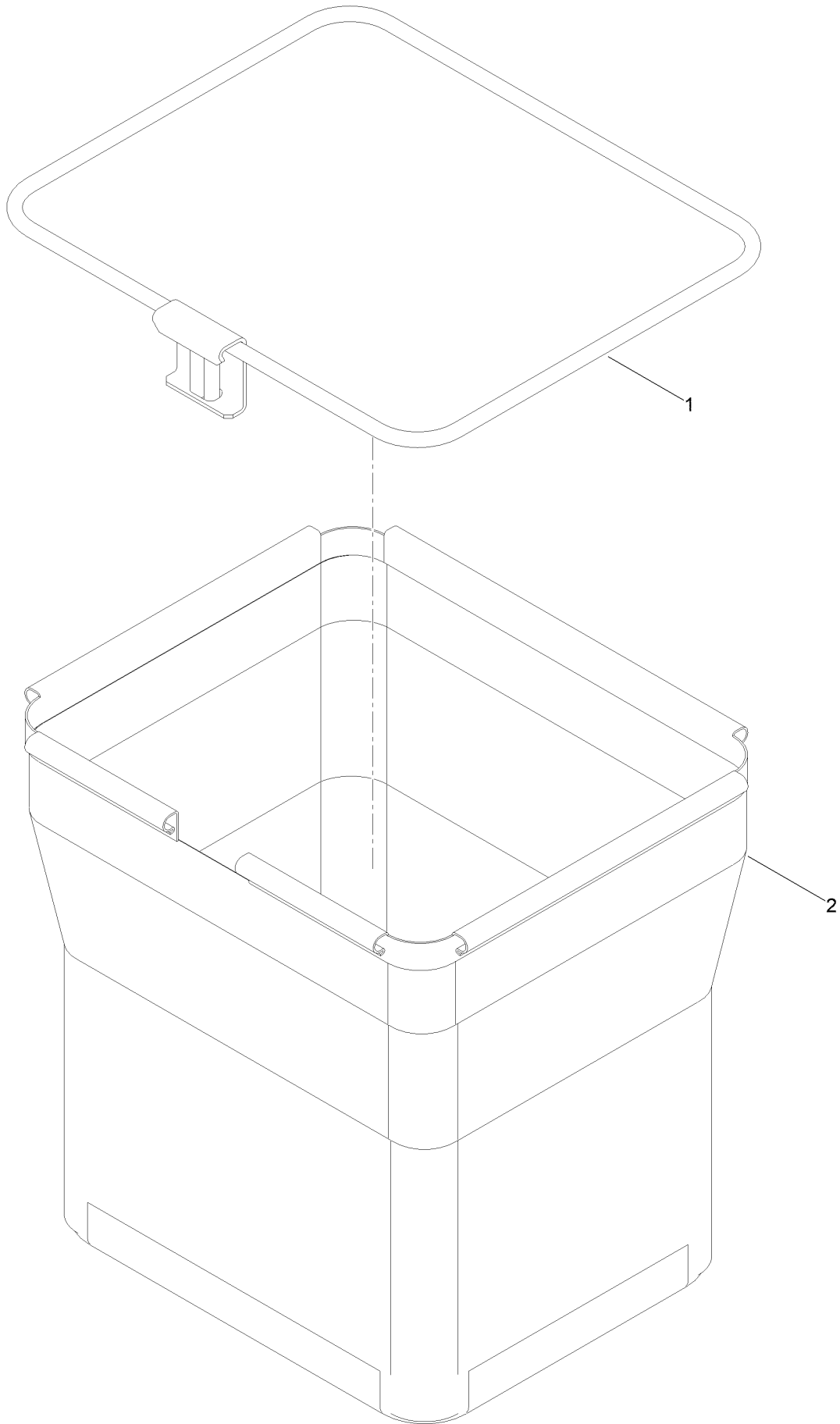
# Twin Bag Assembly



## Twin Bag Assembly (continued)

<i>Ref.</i>	<i>Part Number</i>	<i>Qty.</i>	<i>Description</i>	<i>Ref.</i>	<i>Part Number</i>	<i>Qty.</i>	<i>Description</i>
1	147-8803-03	1	Mount-Bagger	15	116-4992	1	Latch-Rubber
2	148-1226-03	1	Frame-Bagger	16	137-3073	2	Washer-Plain
4	161-4479	2	Rod-Bagger Support	17	132-6919	2	Screw-Plastic, PTH
5	100-7338	2	Clevis	18	110-3144	4	Bolt-CARR
6	283-68	2	Pin-Clevis	19	119-4041	10	Nut-HF
7	147-2888	2	Bag ASM	20	139-2596	6	Screw-HHF
8	147-8819	1	Rod-Hold Down	21	92-2739	1	Pin-Clevis
9	140-5016	2	Bracket-Hopper Pivot	22	147-8831-03	1	Plate-Bagger Stabilizer
10	140-5096	1	Top ASM-Bagger	25	163-8564-P11	1	Guard-Engine
11	112-3993	1	Screen-Bagger	26	148-1143-05	1	Bracket-Bagger
12	117-5379	1	Tube-Bagger	27	148-1144-05	1	Bracket-Bagger
13	139-2611	2	Washer-Flat	28	3231-22	2	Screw-CARR
14	139-2562	4	Pin-Hair	29	119-4042	2	Nut-HF, NI

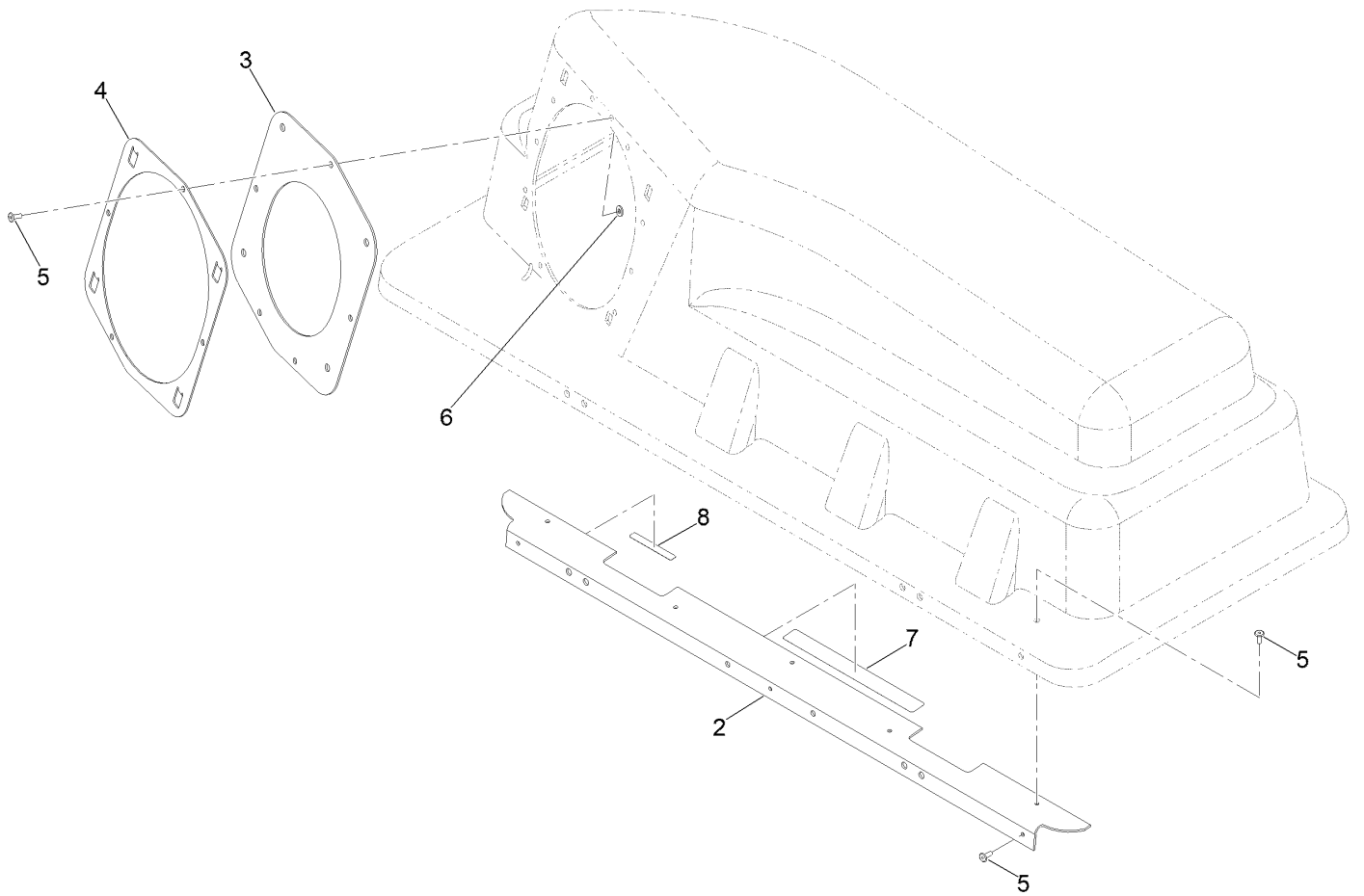
# Bag and Frame Assembly No. 147-2888



# Bag and Frame Assembly No. 147-2888 (continued)

<i>Ref.</i>	<i>Part Number</i>	<i>Qty.</i>	<i>Description</i>
1	140-5179-03	1	Frame-Bag
2	140-5192	1	Bag ASM 20In Depth

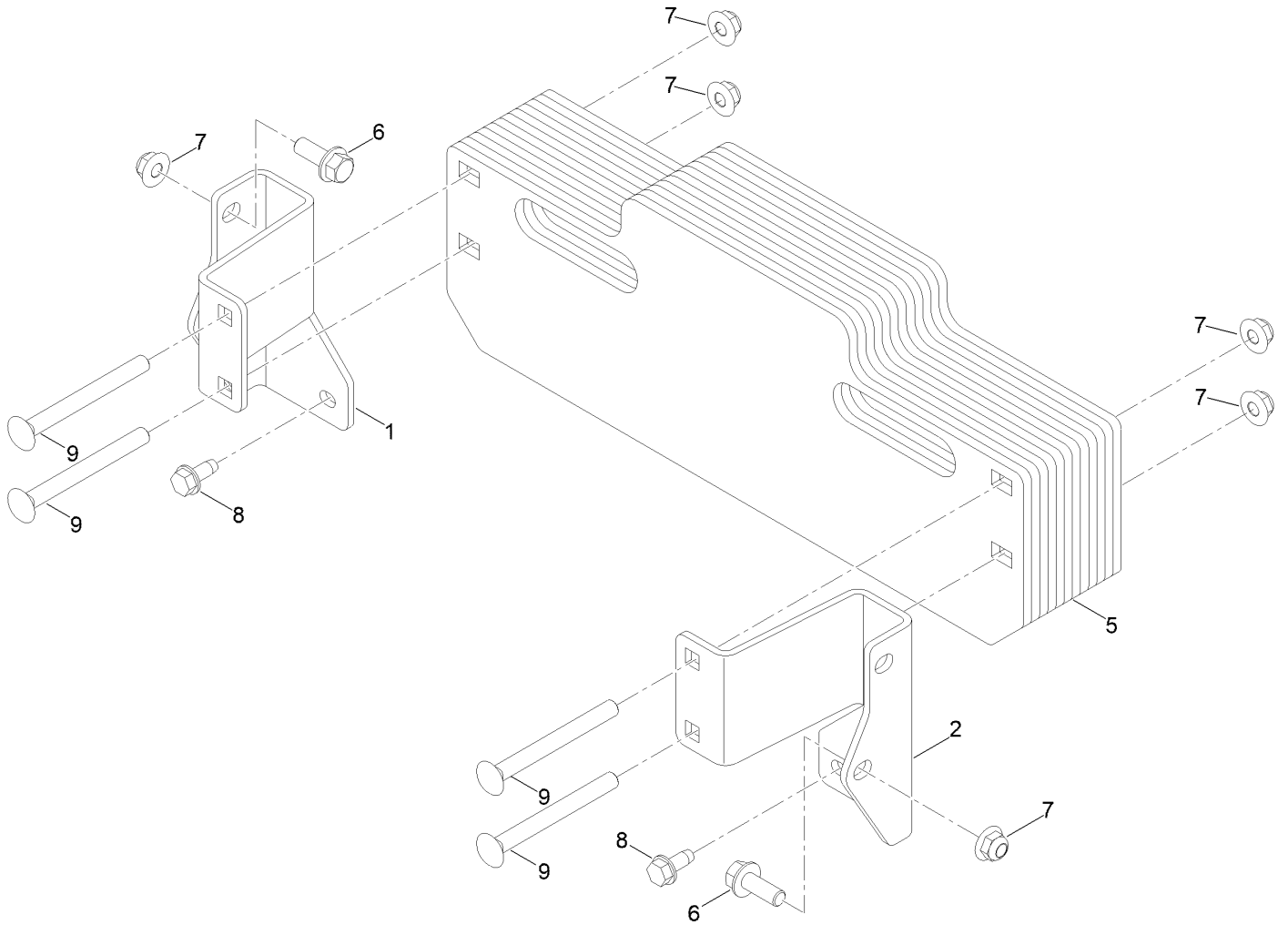
# Bagger Top Assembly No. 140-5096



## Bagger Top Assembly No. 140-5096 (continued)

<i>Ref.</i>	<i>Part Number</i>	<i>Qty.</i>	<i>Description</i>	<i>Ref.</i>	<i>Part Number</i>	<i>Qty.</i>	<i>Description</i>
2	116-1242-03	1	Stiffener-Bagger Top	6	137-3073	4	Washer-Plain
3	112-4001	1	Gasket	7	109-6809	1	Decal-Caution, Bagger
4	112-4000-03	1	Ring-Retainer	8	133-8061	1	Decal-Warning
5	114439	12	Rivet-Blind				

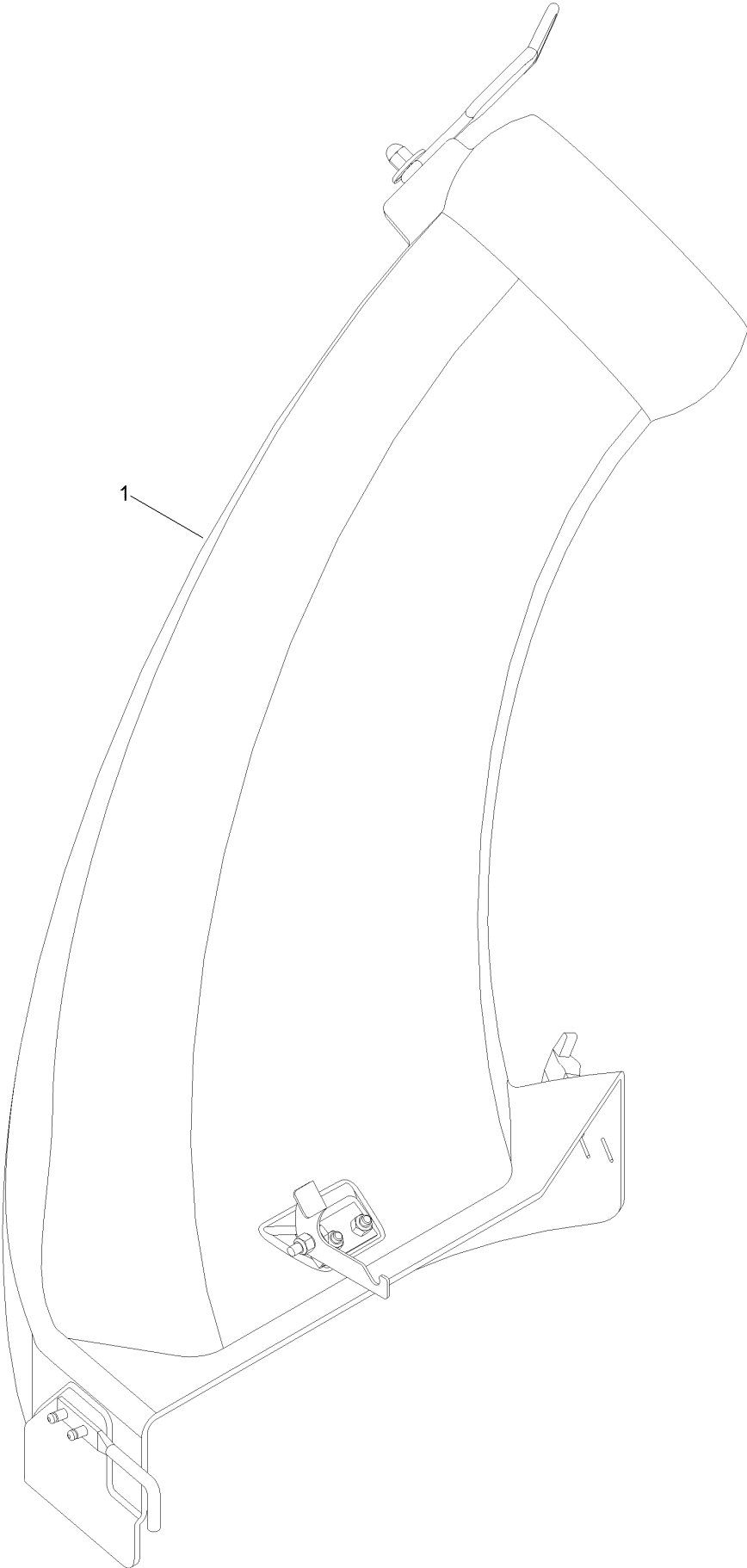
# Weight Assembly



## Weight Assembly (continued)

<i>Ref.</i>	<i>Part Number</i>	<i>Qty.</i>	<i>Description</i>	<i>Ref.</i>	<i>Part Number</i>	<i>Qty.</i>	<i>Description</i>
1	148-1197-05	1	Bracket-Weight Kit, Shield	7	119-4042	8	Nut-HF, NI
2	148-1196-05	1	Bracket-Weight Kit, Shield	8	32144-70	2	Screw-HWHTF
5	148-1198-05	12	Plate-Counter Weight	9	3231-24	4	Screw-CARR
6	139-2597	4	Screw-HHF				

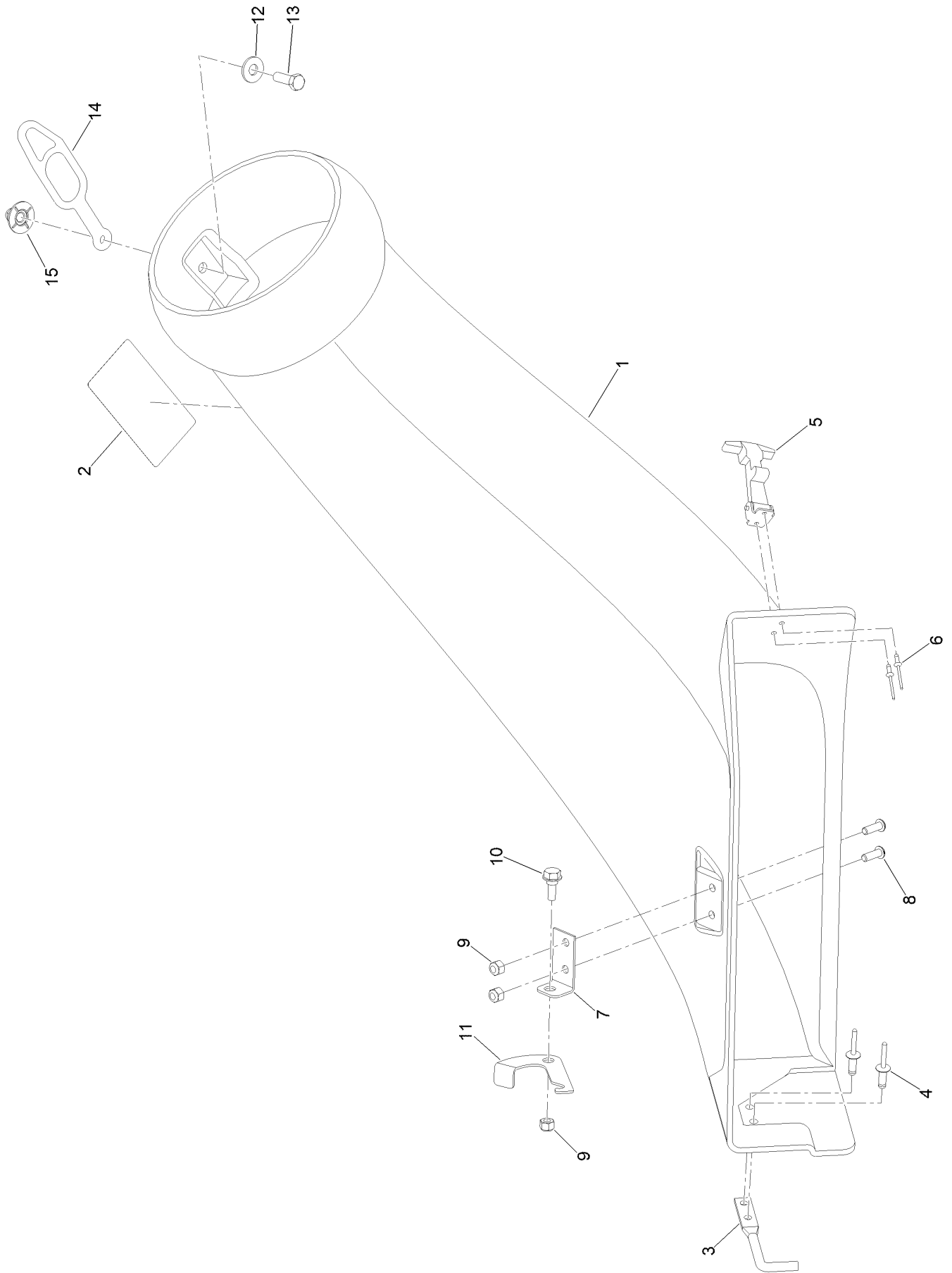
# Chute Assembly



## Chute Assembly (continued)

<i>Ref.</i>	<i>Part Number</i>	<i>Qty.</i>	<i>Description</i>
1	161-4475	1	42 In Bagger Boot Assembly

# Chute Assembly No. 161-4475



## Chute Assembly No. 161-4475 (continued)

<i>Ref.</i>	<i>Part Number</i>	<i>Qty.</i>	<i>Description</i>	<i>Ref.</i>	<i>Part Number</i>	<i>Qty.</i>	<i>Description</i>
1	161-4474	1	Boot-Bagger	9	137-3088	3	Nut-Hex
2	110-6691	1	Decal-Danger	10	139-1730	1	Screw-Shoulder, HHF
3	138-7572	1	Hook-Boot	11	161-4473	1	Plate-Latch
4	3290-412	2	Rivet-Blind	12	139-1723	1	Washer-Flat
5	117344	1	Handle ASM	13	139-1716	1	Screw-HH
6	3269-31	2	Rivet-Pop	14	82-5690	1	Retainer-Duct
7	140-5094	1	Plate-Pivot, Cz	15	114-9015	1	Nut-Impeller
8	3274-69	2	Screw-HSBH				

