



Twin Bagger Kit
Defender Zero Turn Riding Mower
Model No. SP09103—Serial No. 40000000 and Up

Parts Catalog



Ordering Replacement Parts

To order replacement parts, please supply the part number, the quantity, and the description of each part desired.

Understanding Reference Numbers

Each identified part in an illustration has a reference number. The reference number for a part also appears in the parts list, along with other information about the part.

This catalog uses two special reference number formats, one to indicate parts in a service assembly and another to indicate the quantity of a given part in an illustration.

Service Assembly Reference Numbers

Parts in service assemblies have reference numbers in the form a:b. The a represents the reference number of the entire service assembly and the b represents a sequential number unique to each part within the service assembly.

For example, a wheel assembly might be identified by reference number 6, the tire by 6:1, the valve by 6:2, and the wheel by 6:3. When you order the assembly identified by reference number 6, you receive all parts identified by reference numbers 6:1, 6:2, and 6:3. However, you may also order any part individually. Reference numbers of this type appear in illustration and in parts lists.

Reference Numbers Indicating Quantity

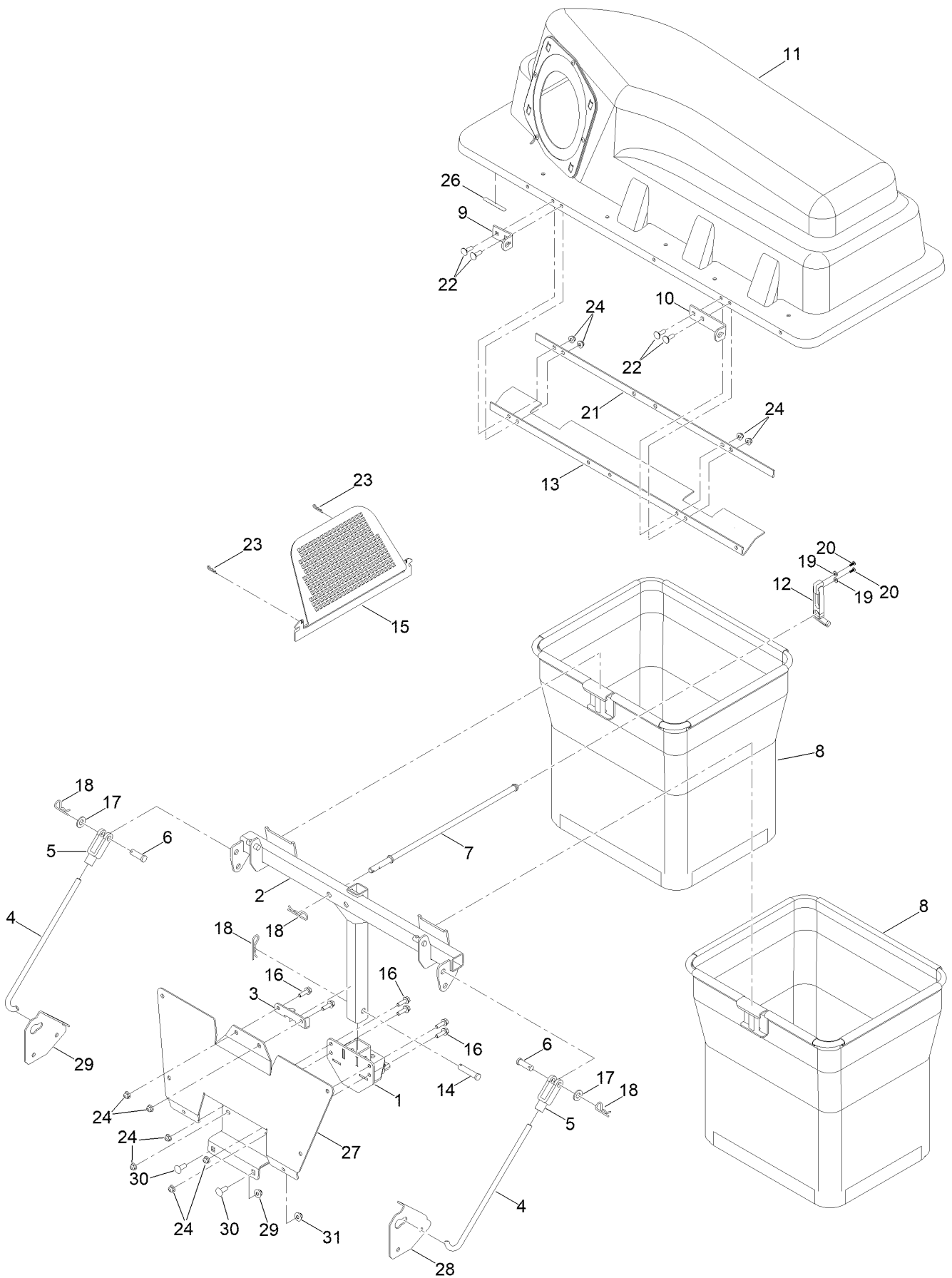
In an illustration, if a reference number indicates more than one part, the reference number has the form nX y. The n represents the quantity of the part, the X is the multiplication symbol, and the y represents the reference number.

For example, in an illustration, the reference number 2X 37 means that two of the parts identified by reference number 37 are indicated.

Contents

Bagger Assembly	4
Bag and Frame Assembly No. 147-2888	6
Bagger Hood Assembly	8
Blower and Tube Assembly	10
Blower Assembly No. 140-5032	12
Weight Assembly	14

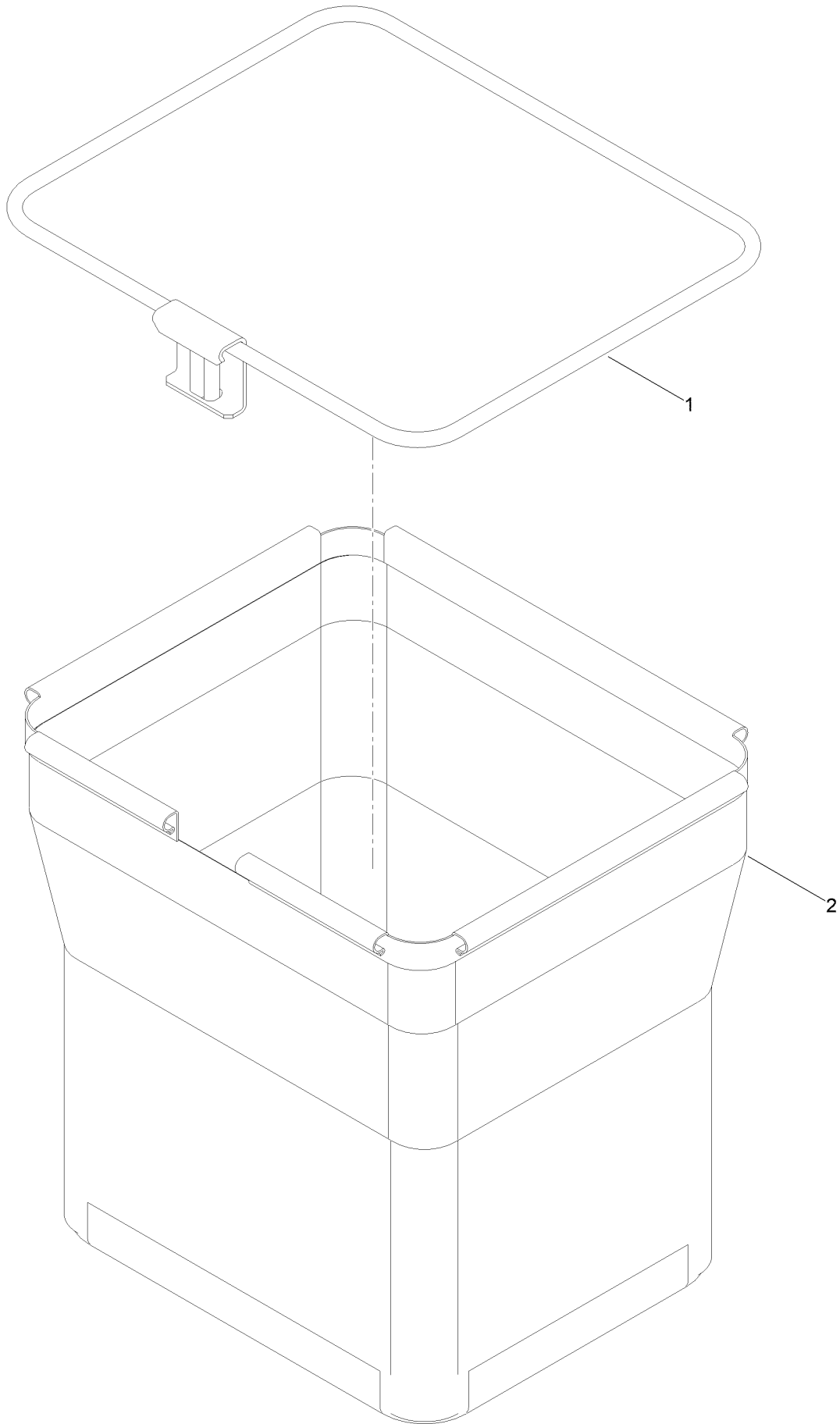
Bagger Assembly



Bagger Assembly (continued)

<i>Ref.</i>	<i>Part Number</i>	<i>Qty.</i>	<i>Description</i>	<i>Ref.</i>	<i>Part Number</i>	<i>Qty.</i>	<i>Description</i>
1	147-8803-03	1	Mount-Bagger	16	139-2596	6	Screw-HHF
2	148-1227-03	1	Frame-Bagger	17	139-2611	2	Washer-Flat
3	147-8831-03	1	Plate-Bagger Stabilizer	18	3290-355	4	Pin-Hair
4	161-4480	2	Rod-Bagger Support	19	137-3073	2	Washer-Plain
5	100-7338	2	Clevis	20	137-9137	2	Screw-PPH
6	283-68	2	Pin-Clevis	21	116-4127-03	1	Plate-Backing
7	131-4189	1	Rod-Hood, Down	22	139-1702	4	Bolt-Carriage
8	147-2888	2	Bag ASM	23	137-3083	2	Pin-Hair
9	140-5016	1	Bracket-Hopper Pivot	24	119-4041	10	Nut-HF
10	147-5327	1	Bracket-Hopper Pivot	26	133-8061	1	Decal-Warning
11	140-5031	1	Bagger Hood ASM	27	148-1139-P11	1	Defender Guard, Engine
12	116-4992	1	Latch-Rubber	28	148-1143-05	1	Bracket-Bagger
13	116-4126	1	Seal	29	148-1144-05	1	Bracket-Bagger
14	92-2739	1	Pin-Clevis	30	3231-22	2	Screw-CARR
15	112-3993	1	Screen-Bagger	31	119-4042	2	Nut-HF, NI

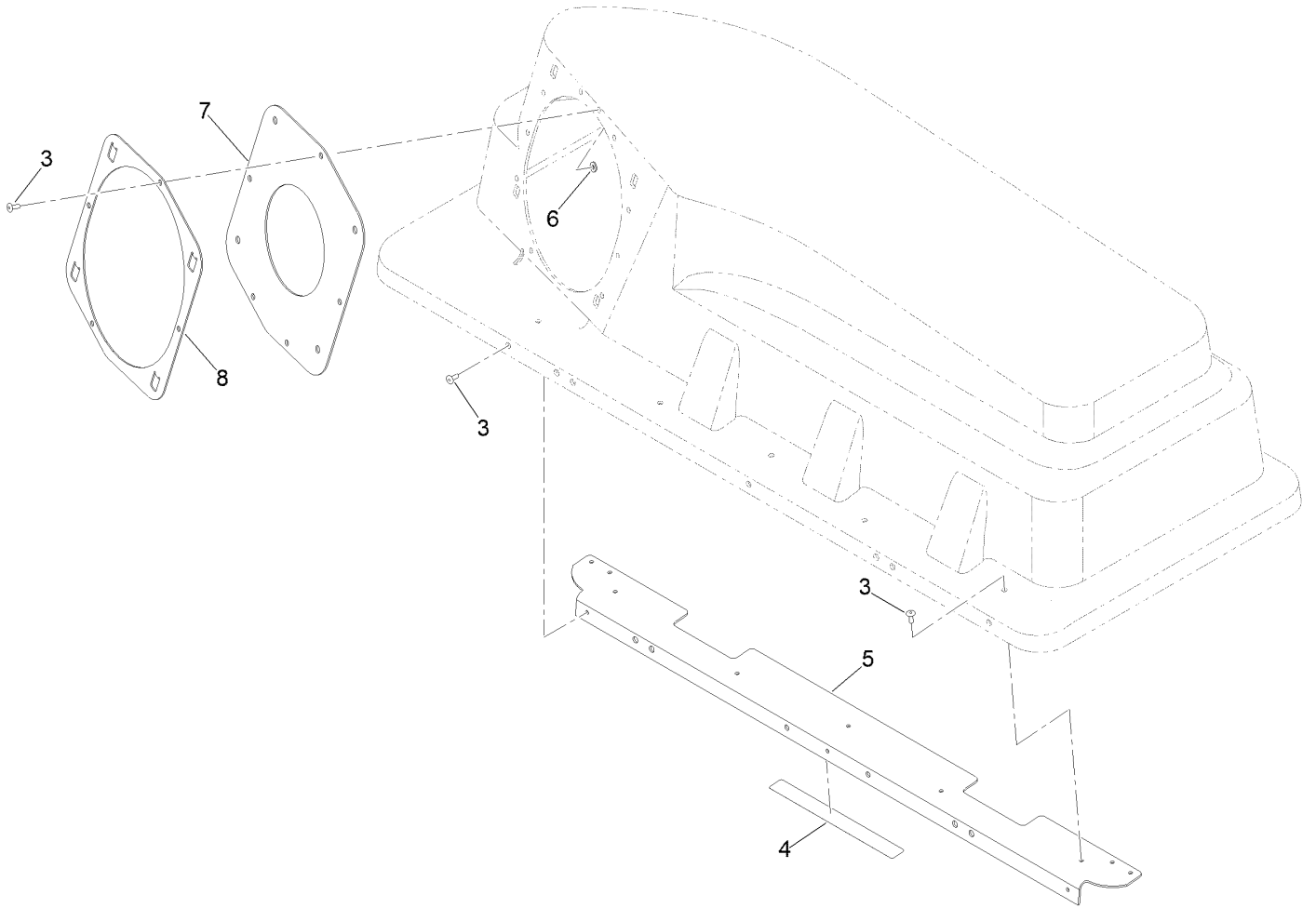
Bag and Frame Assembly No. 147-2888



Bag and Frame Assembly No. 147-2888 (continued)

<i>Ref.</i>	<i>Part Number</i>	<i>Qty.</i>	<i>Description</i>
1	140-5179-03	1	Frame-Bag
2	140-5192	1	Bag ASM 20In Depth

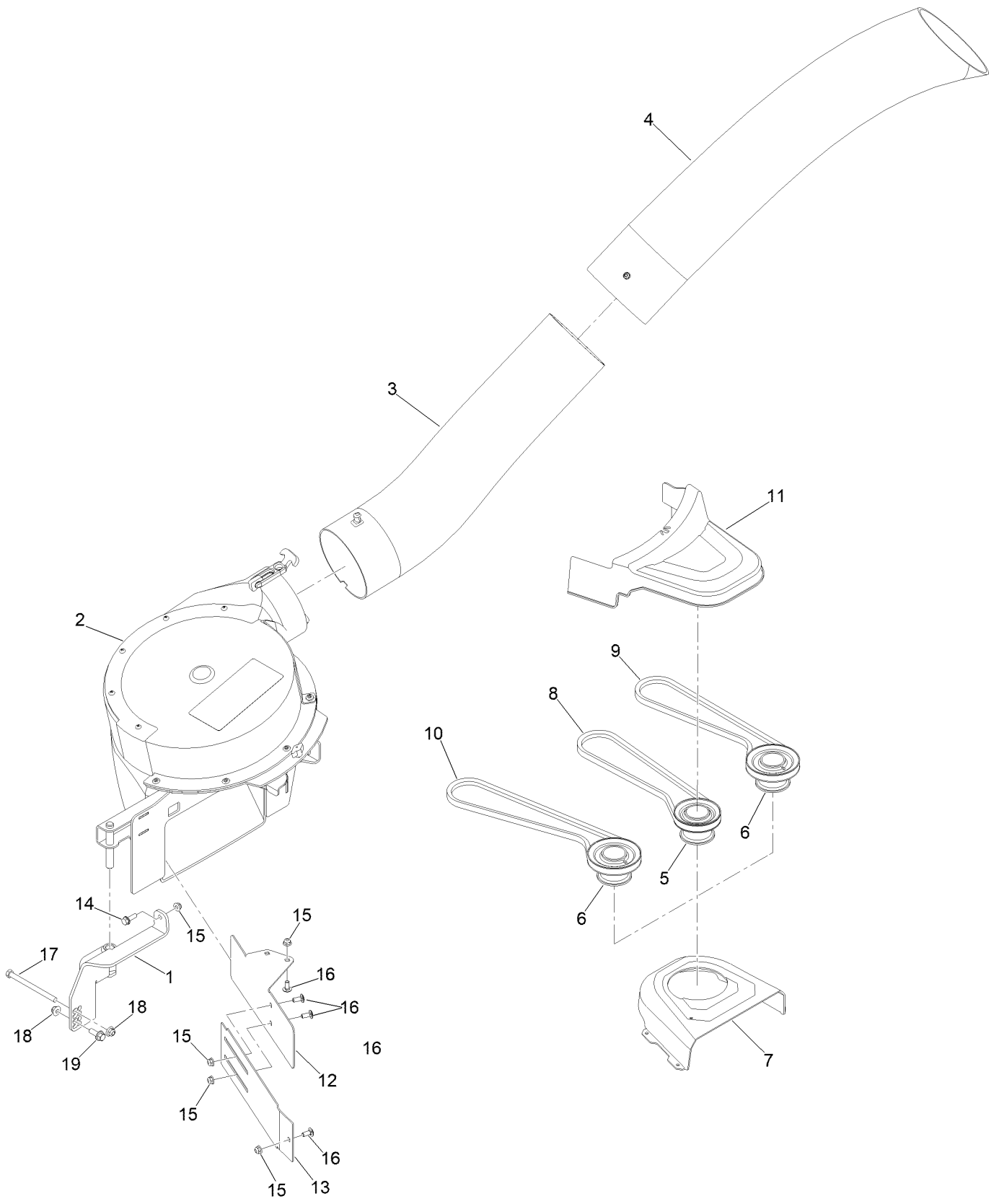
Bagger Hood Assembly



Bagger Hood Assembly (continued)

<i>Ref.</i>	<i>Part Number</i>	<i>Qty.</i>	<i>Description</i>	<i>Ref.</i>	<i>Part Number</i>	<i>Qty.</i>	<i>Description</i>
3	114439	12	Rivet-Blind	6	137-3073	4	Washer-Plain
4	109-6809	1	Decal-Caution, Bagger	7	116-4478	1	Gasket
5	116-5071-03	1	Stiffener-Bagger, Top	8	112-4000-03	1	Ring-Retainer

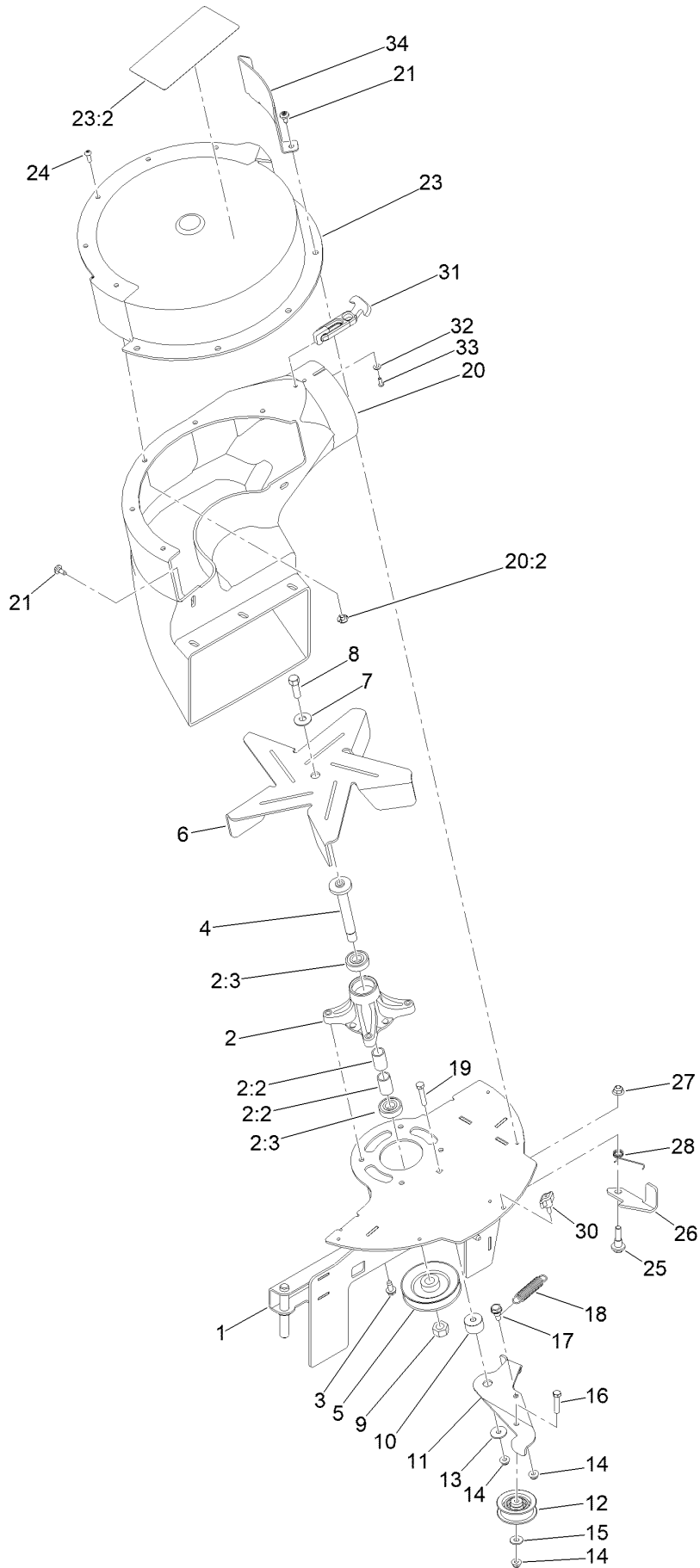
Blower and Tube Assembly



Blower and Tube Assembly (continued)

<i>Ref.</i>	<i>Part Number</i>	<i>Qty.</i>	<i>Description</i>	<i>Ref.</i>	<i>Part Number</i>	<i>Qty.</i>	<i>Description</i>
1	148-1275-03	1	Mount-Bagger	10	127-0076	1	Belt-V
2	140-5032	1	Blower ASM - Powered Bagger	11	136-4172	1	Cover-Bagger, Powered
3	140-5030	1	Tube ASM-Lower	12	133-7022-03	1	Baffle-Outer
4	161-6302	1	Tube ASM-Upper	13	133-7021-03	1	Baffle-Inner
5	125-0085	1	Pulley-Bagger	14	139-2596	1	Screw-HHF
6	125-0086	1	Pulley-Bagger	15	119-4041	4	Nut-HF
7	136-4151	1	Cover-Belt, RH	16	137-3061	4	Bolt-CARR
8	127-0074	1	Belt-V	17	323-39	1	Screw-HH
9	127-0075	1	Belt-V	18	119-4042	2	Nut-HF, NI
				19	139-2597	1	Screw-HHF

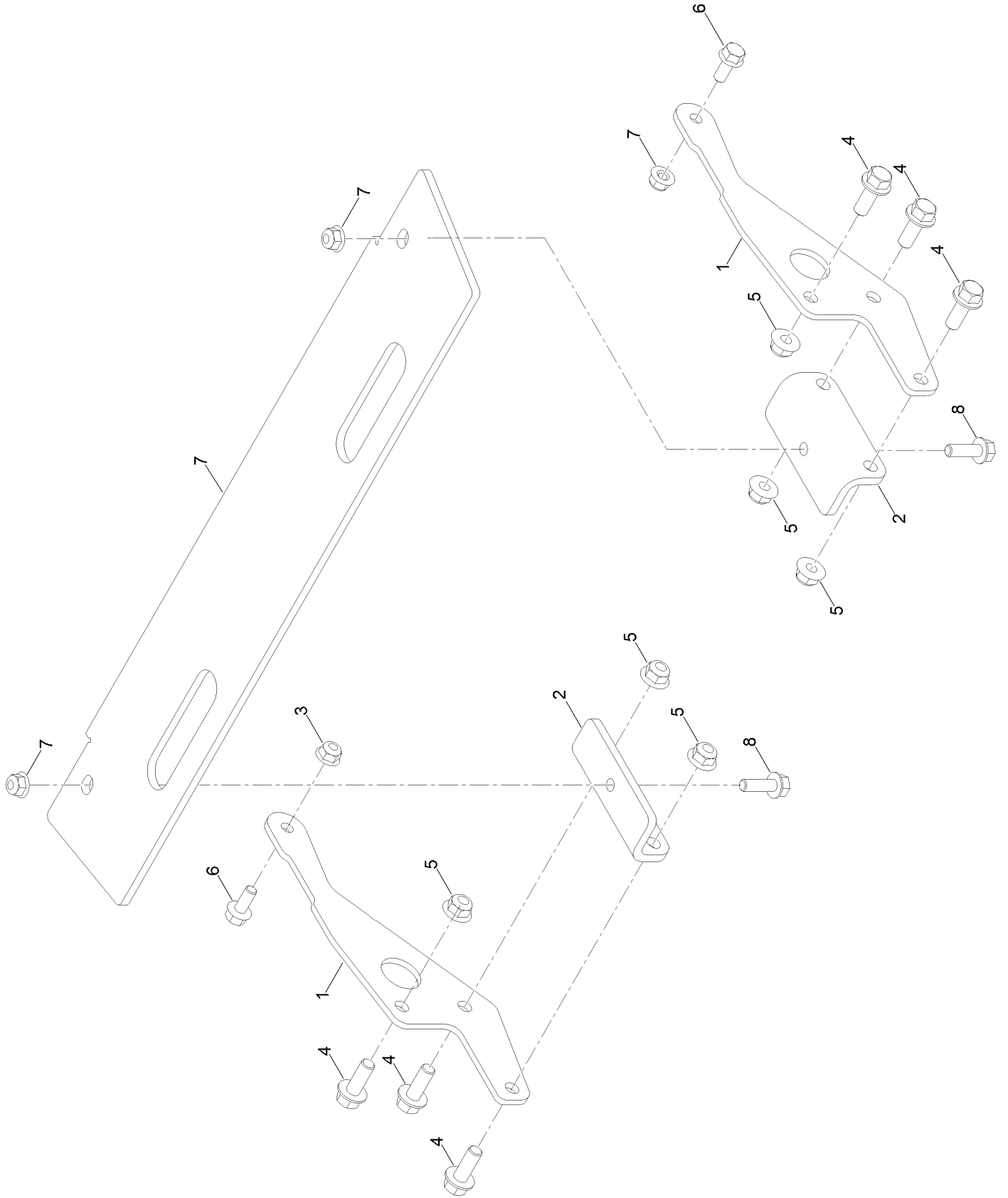
Blower Assembly No. 140-5032



Blower Assembly No. 140-5032 (continued)

<i>Ref.</i>	<i>Part Number</i>	<i>Qty.</i>	<i>Description</i>	<i>Ref.</i>	<i>Part Number</i>	<i>Qty.</i>	<i>Description</i>
1	133-9287-03	1	Frame-Blower	17	140-5020	1	Bolt Shoulder
2	139-3214	1	Spindle ASM	18	137-7040	1	Spring-Return, Pedal
2:2	120-7935	2	Spacer	19	139-1719	1	Screw-HH
2:3	138-9770	2	Bearing-Ball	20	137-5004	1	Blower Chute ASM
3	32144-70	4	Screw-HWHTF	20:2	136-9187	5	Insert-T-Nut
4	137-7009	1	Shaft-Spindle	21	120-7950	10	Screw-Torx
5	133-4492	1	Pulley-Blower	23	137-5003	1	Blower Cover ASM
6	133-4336	1	Fan-Blower	23:2	136-4164	1	Decal-Danger
7	3290-465	1	Washer-Belleville	24	3258-166	5	Screw-PRH
8	108-8823	1	Screw-HH	25	130-0742	1	Bolt-Shoulder
9	3219-16	1	Nut-Hex	26	133-7058	1	Latch-Blower
10	140-5015	1	Spacer-Idler Arm	27	119-4042	1	Nut-HF, NI
11	140-5019	1	Idler Arm, Blower	28	133-7048	1	Spring-Torsion
12	138-7597	1	Pulley-Idler, Flat	30	98-8332	1	Knob
13	5-4460	1	Washer-Pivot	31	103-4080	2	Latch-Rubber
14	119-4041	3	Nut-HF	32	137-3073	4	Washer-Plain
15	139-1723	1	Washer-Flat	33	3274-39	4	Screw-HSBH
16	120-2779	1	Screw-HH	34	136-9213-03	1	Guard-Blower

Weight Assembly



Weight Assembly (continued)

<i>Ref.</i>	<i>Part Number</i>	<i>Qty.</i>	<i>Description</i>	<i>Ref.</i>	<i>Part Number</i>	<i>Qty.</i>	<i>Description</i>
1	163-8565-03	2	Plate-Mount, Weight	5	104-8301	6	Nut-HF, NI
2	163-8566-03	2	Bracket-Mount, Weight	6	139-2598	2	Screw-HHF
3	147-7582-03	1	Weight-Bagger	7	104-8300	4	Nut-HF, NI
4	139-2597	6	Screw-HHF	8	139-2596	2	Screw-HHF

