



**Shield 42in
Zero Turn Riding Mower**

Model No. SZSH1K42691KR—Serial No. 420687357 and Up

Parts Catalog



Ordering Replacement Parts

To order replacement parts, please supply the part number, the quantity, and the description of each part desired.

Understanding Reference Numbers

Each identified part in an illustration has a reference number. The reference number for a part also appears in the parts list, along with other information about the part.

This catalog uses two special reference number formats, one to indicate parts in a service assembly and another to indicate the quantity of a given part in an illustration.

Service Assembly Reference Numbers

Parts in service assemblies have reference numbers in the form a:b. The a represents the reference number of the entire service assembly and the b represents a sequential number unique to each part within the service assembly.

For example, a wheel assembly might be identified by reference number 6, the tire by 6:1, the valve by 6:2, and the wheel by 6:3. When you order the assembly identified by reference number 6, you receive all parts identified by reference numbers 6:1, 6:2, and 6:3. However, you may also order any part individually. Reference numbers of this type appear in illustration and in parts lists.

Reference Numbers Indicating Quantity

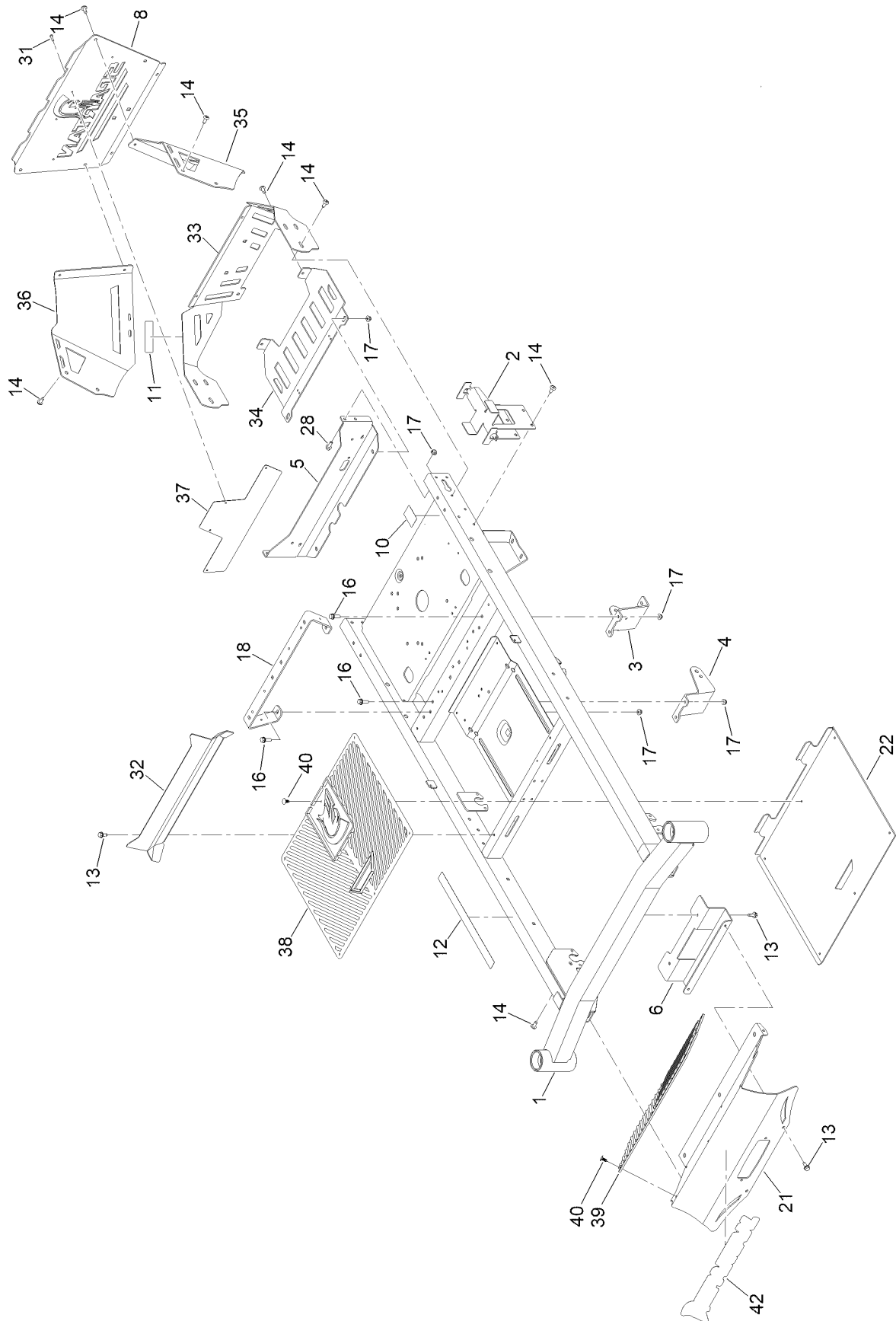
In an illustration, if a reference number indicates more than one part, the reference number has the form nX y. The n represents the quantity of the part, the X is the multiplication symbol, and the y represents the reference number.

For example, in an illustration, the reference number 2X 37 means that two of the parts identified by reference number 37 are indicated.

Contents

Frame Assembly	4
Fuel Delivery and Body Styling Assembly	6
Fuel Tank Assembly No. 161-6588	8
LH Upper Pod W/Decal Assembly No. 148-0284	10
RH Upper Pod W/Decal Assembly No. 148-0280	12
Decklift Assembly	14
Caster Wheel Assembly	16
Wheel Assembly No. 145-4692	18
Traction Drive Assembly	20
Brake Assembly	22
Rear Wheel and Tire Assembly	24
Seat Pan Assembly	26
Motion Control Assembly	28
Engine and Muffler Assembly	30
Electrical Assembly	32
Main Wire Harness Assembly No. 145-6382	34
42 Inch Deck Assembly	36
Deck Decal Assembly No. 161-6440	38
Model Specific Assembly	40
Clutch Assembly	42
Attachments and Accessories	44

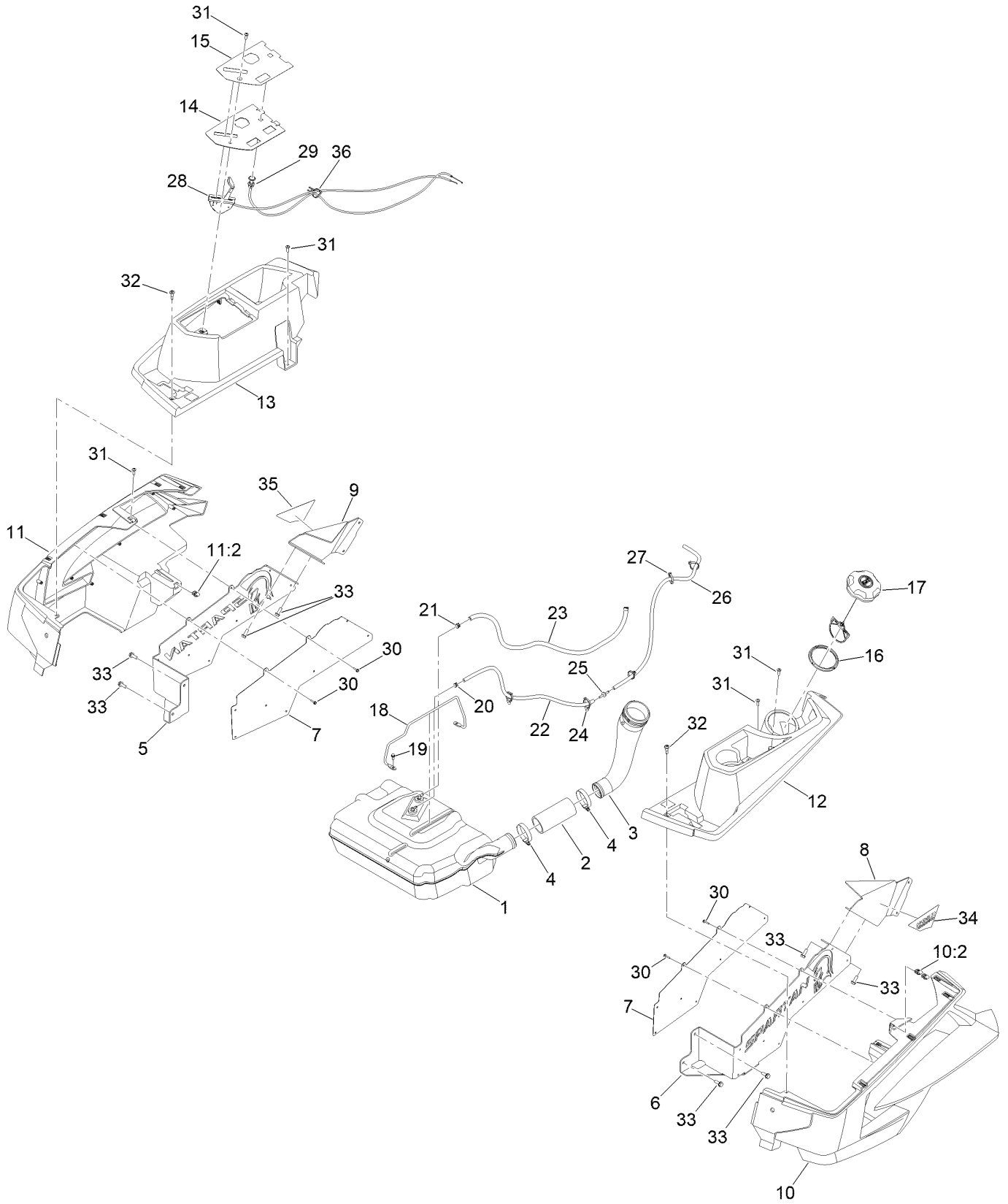
Frame Assembly



Frame Assembly (continued)

<i>Ref.</i>	<i>Part Number</i>	<i>Qty.</i>	<i>Description</i>	<i>Ref.</i>	<i>Part Number</i>	<i>Qty.</i>	<i>Description</i>
1	163-7980	1	Frame ASM	21	148-0023-P11	1	Plate-Front
2	163-6020-P11	1	Tray-Battery	22	148-0006-P11	1	Plate-Floor
3	161-6506-P11	1	Mount-Drive, LH	28	139-2598	4	Screw-HHF
4	161-6507-P11	1	Mount-Drive, RH	31	130-8451	4	Rivet-Trifold
5	163-3137-P11	1	Plate-Mount, Rear	32	161-9744-P11	1	Plate-Kick
6	148-0024-P11	1	Bracket-Support	33	148-1122-P11	1	Guard-Muffler, Top
8	148-1084-P11	1	Shield Guard Engine	34	148-1123-P11	1	Guard-Muffler, Bottom
10	161-6207	1	Decal-Bypass	35	148-0008-P11	1	Cowling-Rear, LH
11	142-5864	1	Decal-Spark Arrester	36	148-0009-P11	1	Cowling-Rear, RH
12	144-5288	1	Decal-Warning	37	148-0012	1	Plate-Rear
13	32144-70	6	Screw-HWHTF	38	148-0017	1	Floor Mat
14	138-9753	24	Screw	39	148-0018	1	Front Foot Mat (Spartan)
16	139-2596	6	Screw-HHF	40	117-2382	12	Plug-Plastic
17	119-4041	12	Nut-HF	42	148-0801	1	Decal-Spartan, Front
18	161-6585-05	1	Support-Seat				

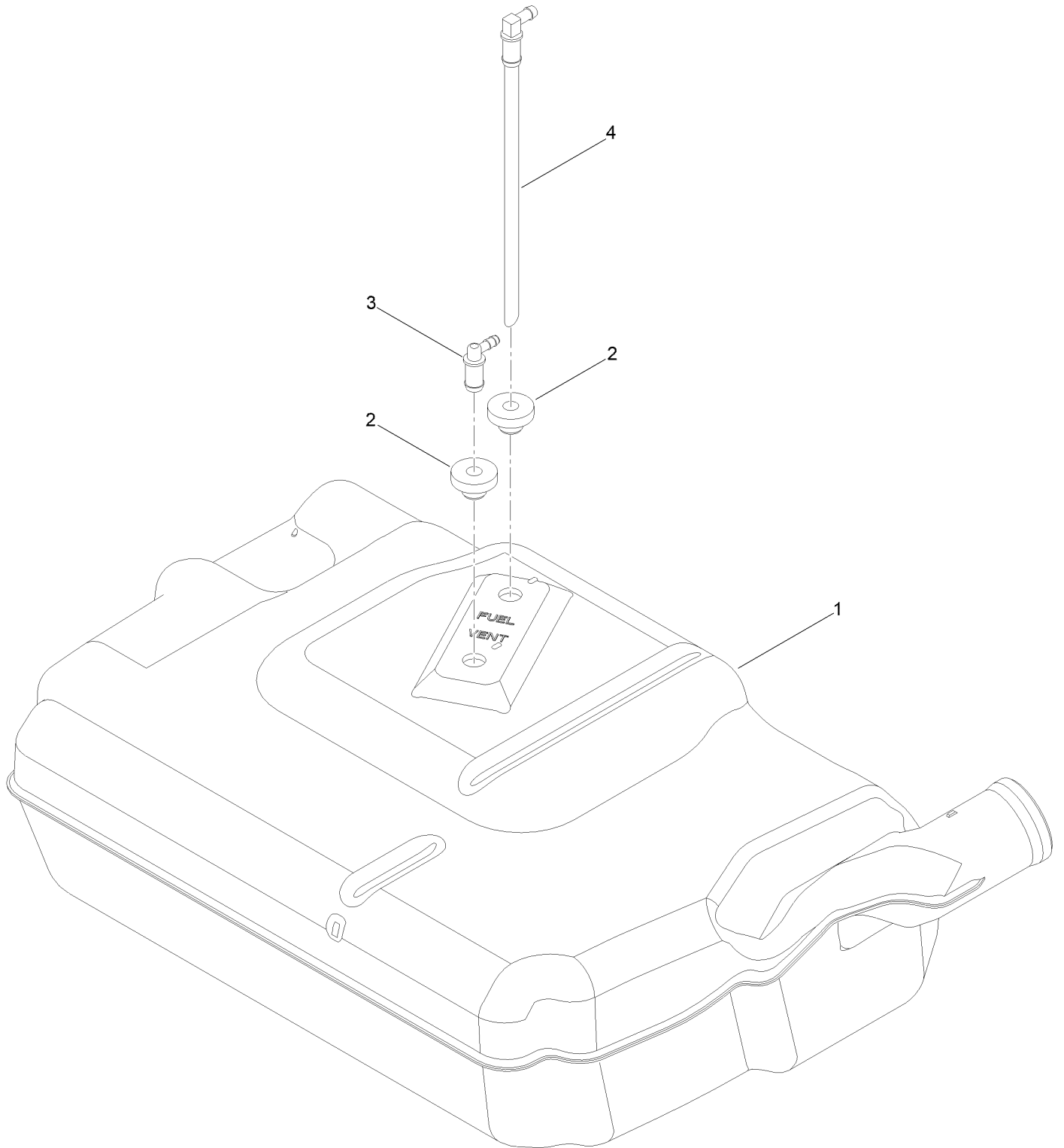
Fuel Delivery and Body Styling Assembly



Fuel Delivery and Body Styling Assembly (continued)

<i>Ref.</i>	<i>Part Number</i>	<i>Qty.</i>	<i>Description</i>	<i>Ref.</i>	<i>Part Number</i>	<i>Qty.</i>	<i>Description</i>
1	161-6588	1	Fuel Tank ASM	17	163-5914	1	Cap Fuel, Ratcheting
2	161-6421	1	Hose-Filler, Fuel	18	147-5176	1	Rod-Hold Down
3	147-2852	1	Neck-Filler, Fuel	19	32144-4	2	Screw-HWH
4	2412-130	2	Clamp-Hose	20	2412-80	1	Clamp-Hose
5	148-0316-P11	1	Bracket-Mount, RH Pod	21	2412-98	2	Clamp-Hose
6	148-0317-P11	1	Bracket-Mount, LH Pod	22	140-4956	1	Hose-Fuel
7	148-1219	2	Plate-Back	23	109-1395	1	Hose-Fuel
8	148-0320-P11	1	Bracket-Mount, LH Pod	24	32180-030	2	Clip-Tie
9	148-0319-P11	1	Bracket-Mount, RH Pod	25	144-1983	1	Adapter Orifice
10	148-0311	1	LH Pod ASM	26	140-4956	1	Hose-Fuel
10:2	107069	2	Clip	27	614249	3	Tie-Cable
11	148-0310	1	RH Lower Pod W/Decal ASM	28	147-7695	1	Cable-Throttle
11:2	107069	2	Clip	29	139-2402	1	Cable-Choke
12	148-0284	1	LH Upper Pod W/Decal ASM	30	137-3110	18	Screw-Plastite, HWH
13	148-0280	1	RH Upper Pod W/Decal ASM	31	138-0689	5	Screw-PH
14	163-5955-03	1	Plate-Control Panel	32	148-0104	2	Screw-Torx
15	163-5956	1	Decal-Control Panel	33	32144-41	8	Screw-Taptite
16	147-7712	1	Ring-Retaining	34	148-0019	1	Decal-Shield, LH
				35	148-0020	1	Decal-Shield, RH
				36	32180-082	1	Clip-Edge W/Tie, Perpendicular

Fuel Tank Assembly No. 161-6588

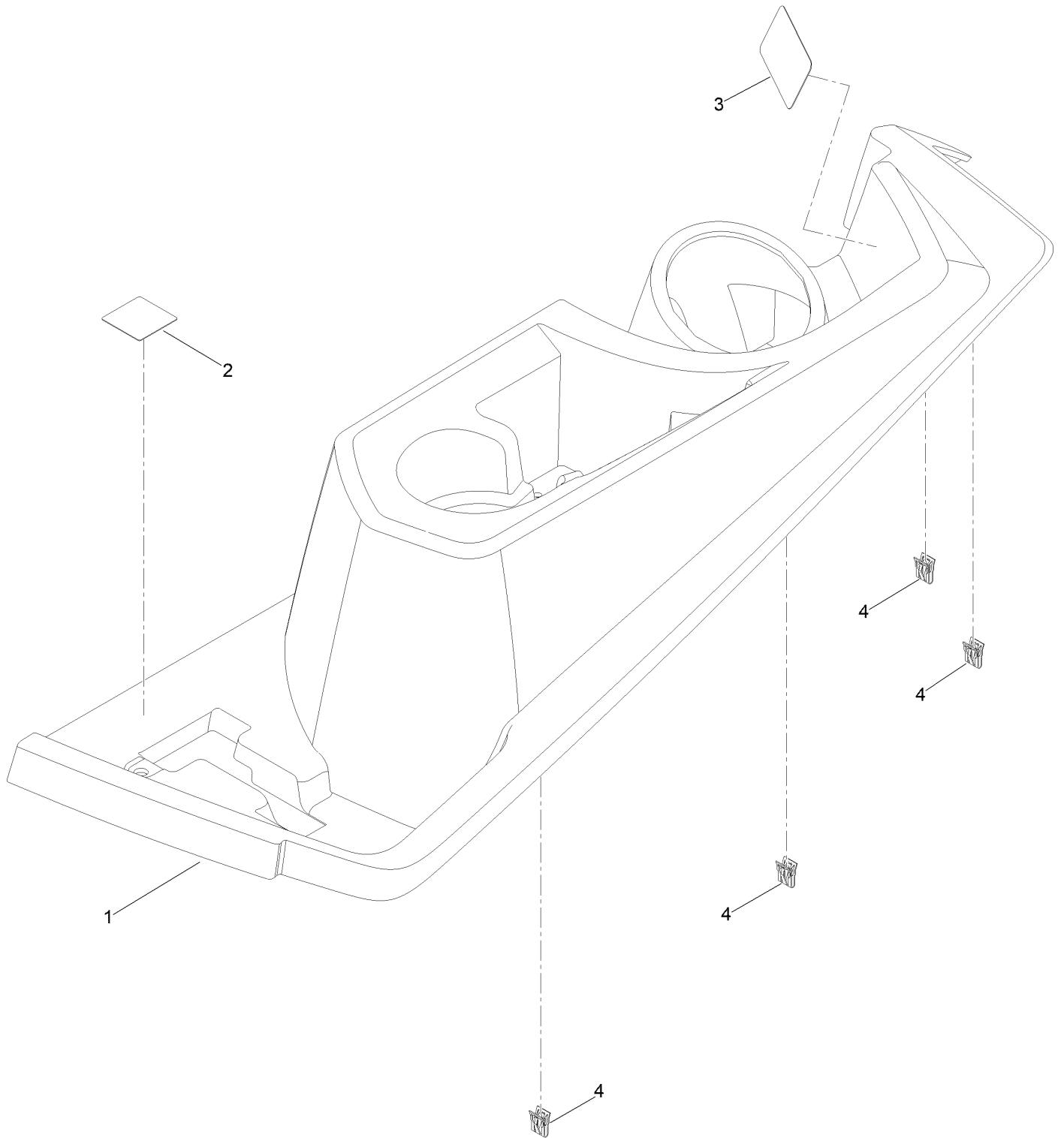


Fuel Tank Assembly No. 161-6588 (continued)

<i>Ref.</i>	<i>Part Number</i>	<i>Qty.</i>	<i>Description</i>	<i>Ref.</i>	<i>Part Number</i>	<i>Qty.</i>	<i>Description</i>
1		1	Tank-Fuel ●	3	161-6609	1	Fitting-Elbow 90
2	46-6560	2	Bushing	4	147-2934	1	Fitting-Pickup, Fuel

● Not serviced separately

LH Upper Pod W/Decal Assembly No. 148-0284

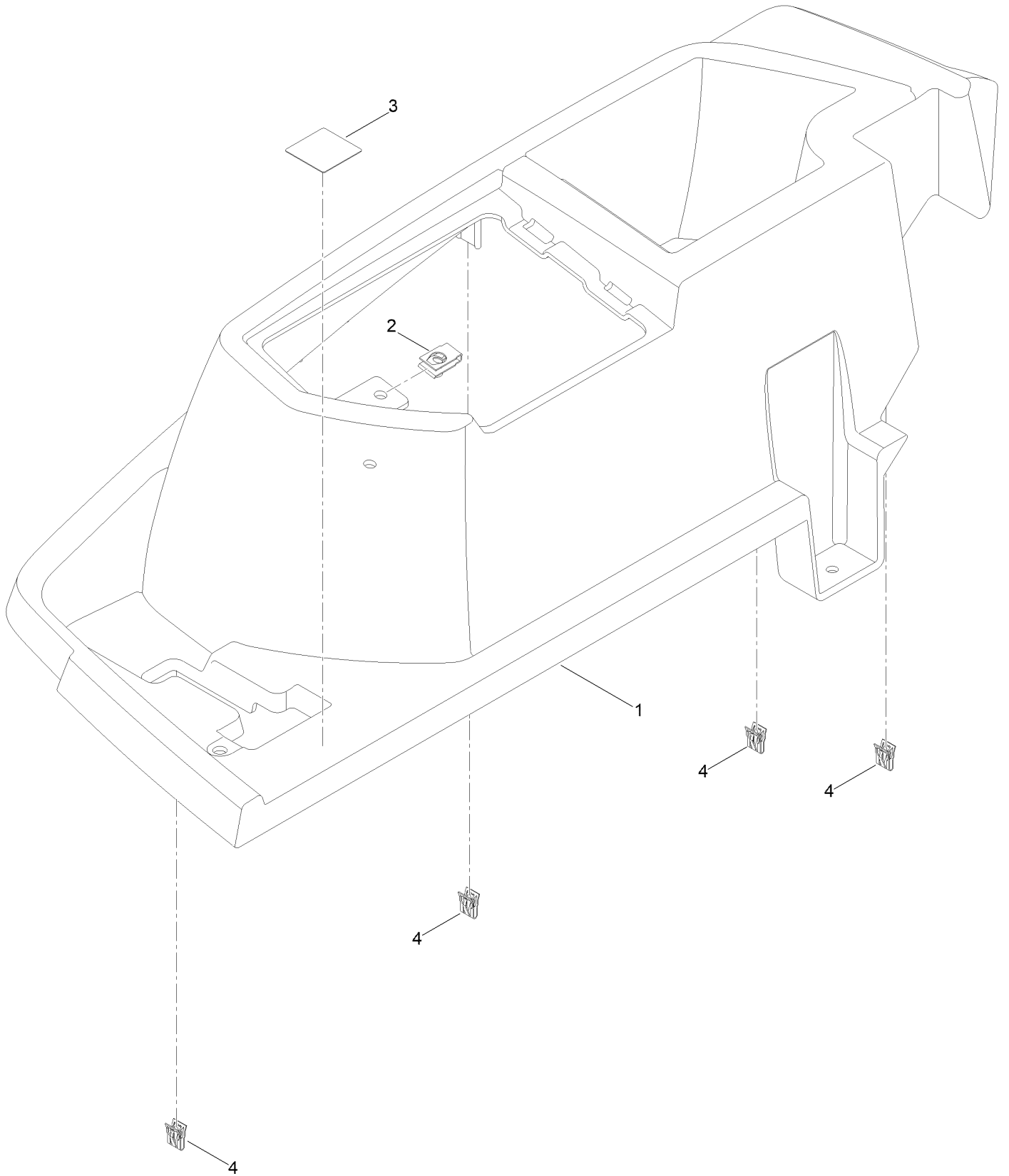


LH Upper Pod W/Decal Assembly No. 148-0284 (continued)

<i>Ref.</i>	<i>Part Number</i>	<i>Qty.</i>	<i>Description</i>	<i>Ref.</i>	<i>Part Number</i>	<i>Qty.</i>	<i>Description</i>
1		1	Pod-Upper, LH ●	3	148-0433	1	Decal-Fuel Fill
2	148-0315	1	Decal-Control, LH	4	148-0423	4	Clip

● Not serviced separately

RH Upper Pod W/Decal Assembly No. 148-0280



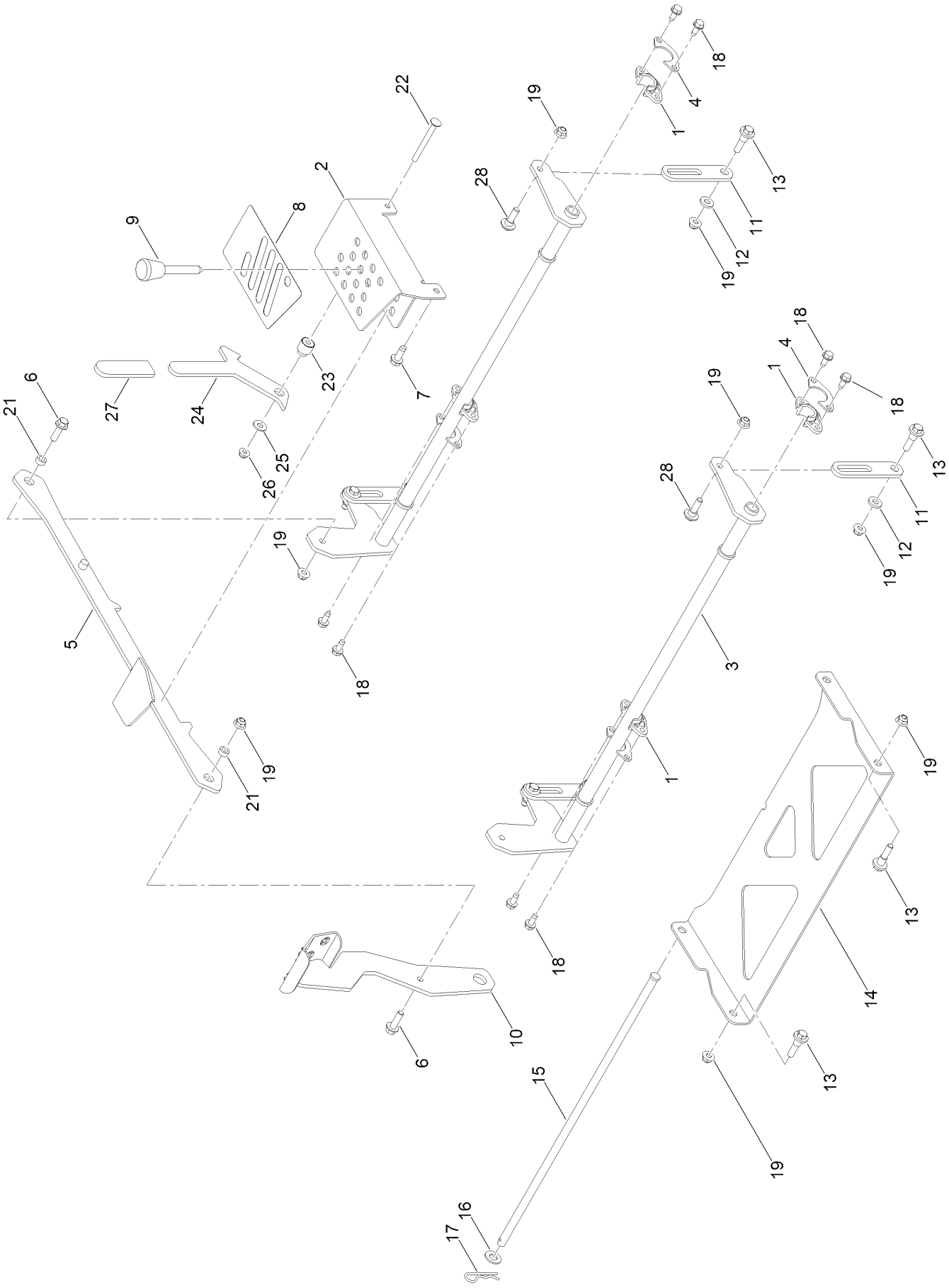
RH Upper Pod W/Decal Assembly No. 148-0280 (continued)

<i>Ref.</i>	<i>Part Number</i>	<i>Qty.</i>	<i>Description</i>
1		1	Pod-Upper, RH ●
2	107069	1	Clip

<i>Ref.</i>	<i>Part Number</i>	<i>Qty.</i>	<i>Description</i>
3	148-0314	1	Decal-Control, RH
4	148-0423	4	Clip

● Not serviced separately

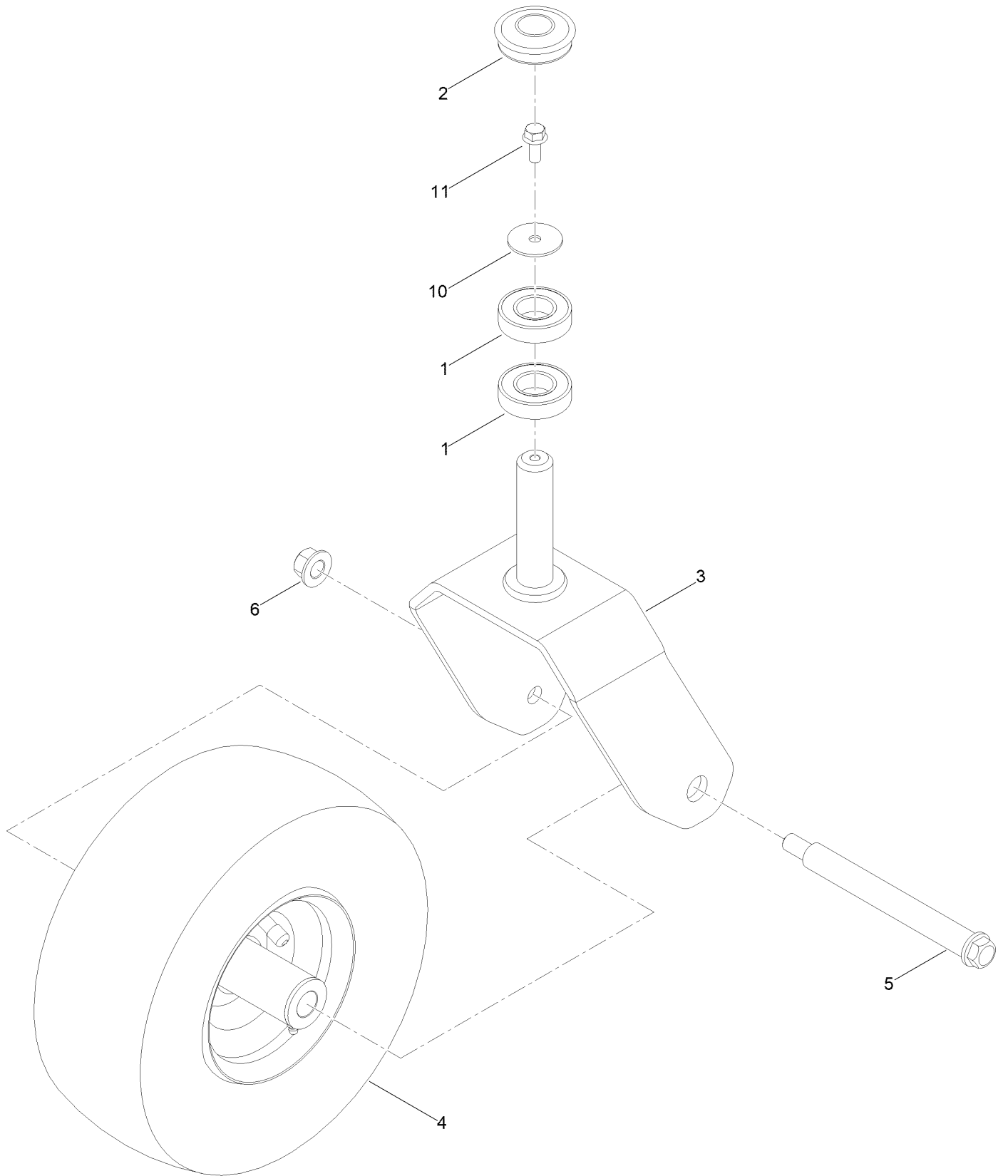
Decklift Assembly



Decklift Assembly (continued)

<i>Ref.</i>	<i>Part Number</i>	<i>Qty.</i>	<i>Description</i>	<i>Ref.</i>	<i>Part Number</i>	<i>Qty.</i>	<i>Description</i>
1	139-5872	4	Bearing-Flange	15	145-6288	1	Pin-Deck
2	145-6260-P11	1	Bracket-HOC	16	139-2611	1	Washer-Flat
3	161-4632-P11	2	Pivot	17	139-2562	1	Pin-Hair
4	138-7204	4	Gusset-Deck Lift	18	32144-70	8	Screw-HWHTF
5	145-6262-P11	1	Link-HOC	19	119-4042	12	Nut-HF, NI
6	119-4061	2	Screw-HHF	21	140-2093	2	Spacer
7	139-2428	1	Screw-HWH	22	138-0741	1	Screw-CARR
8	148-0432	1	Decal-HOC	23	145-6282	1	Spacer-Stepped
9	140-2146	1	HOC Pin ASM	24	145-6279	1	Plate-Transport Lock
10	145-6278-P11	1	Pedal	25	137-3082	1	Washer-Plain
11	148-0463-P11	4	Link-HOC	26	119-4041	1	Nut-HF
12	138-7207	4	Spacer-Hub, Blower	27	140-0413	1	Grip-Handle
13	130-0742	6	Bolt-Shoulder	28	614672	4	Screw-Shoulder, HWH
14	145-6248-05	1	Pan-Deck Pivot				

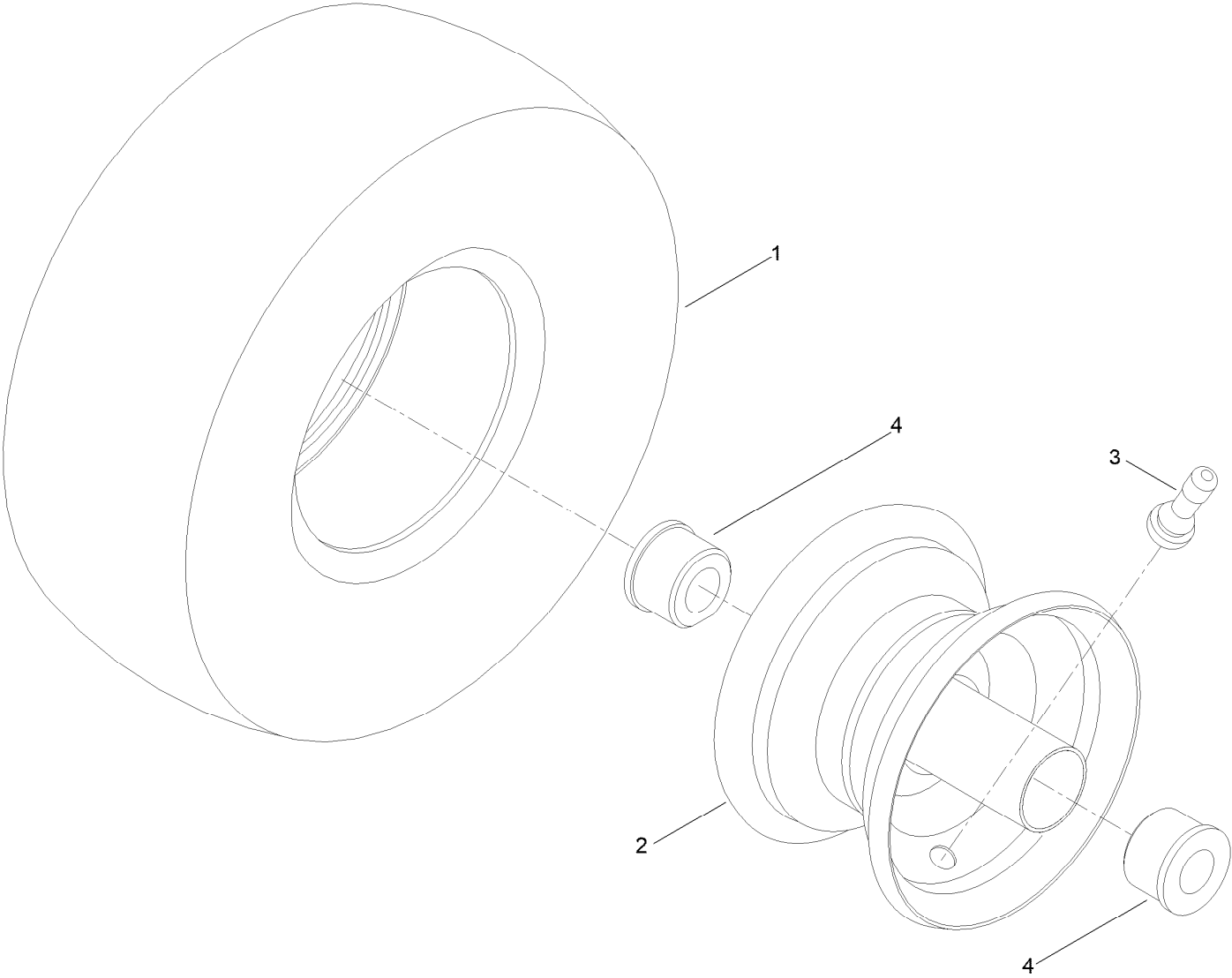
Caster Wheel Assembly



Caster Wheel Assembly (continued)

<i>Ref.</i>	<i>Part Number</i>	<i>Qty.</i>	<i>Description</i>	<i>Ref.</i>	<i>Part Number</i>	<i>Qty.</i>	<i>Description</i>
1	109-3678	4	Bearing-Ball	5	145-4649	2	Screw-Shoulder HHF
2	144-0375	2	Cap-Grease	6	139-1689	2	Nut-HF
3	145-4674-P11	2	Fork	10	115-1151	2	Washer-Flat
4	145-4692	2	Wheel ASM - Caster 12X6-5	11	100-1668	2	Screw-HHF

Wheel Assembly No. 145-4692

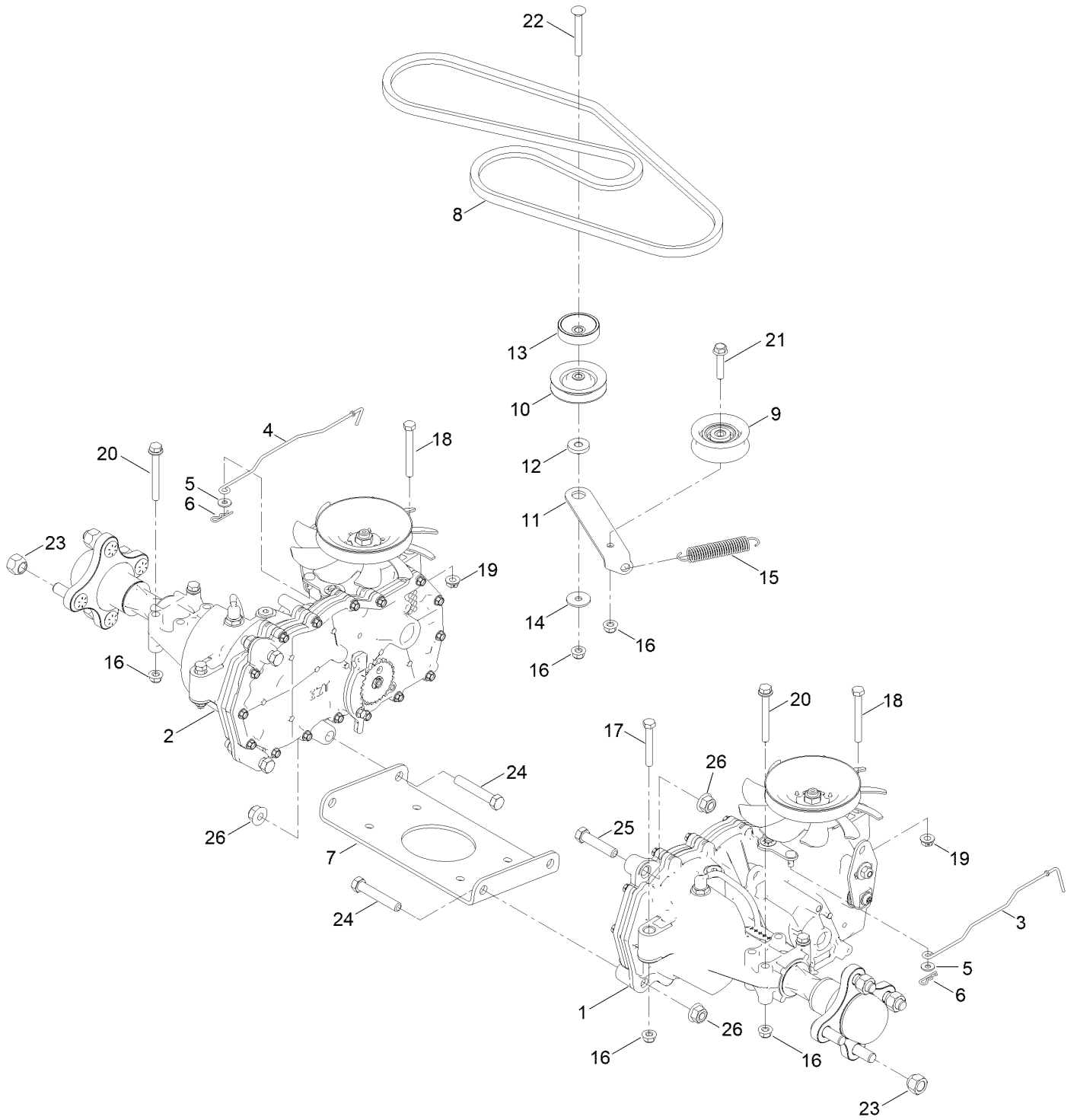


Wheel Assembly No. 145-4692 (continued)

<i>Ref.</i>	<i>Part Number</i>	<i>Qty.</i>	<i>Description</i>
1	145-4672	1	Tire 12X6-5
2	145-4673	1	Wheel (W/ Zerk And Bushings)

<i>Ref.</i>	<i>Part Number</i>	<i>Qty.</i>	<i>Description</i>
3	232-27	1	Stem-Valve
4	114-1640	2	Bushing-Flange

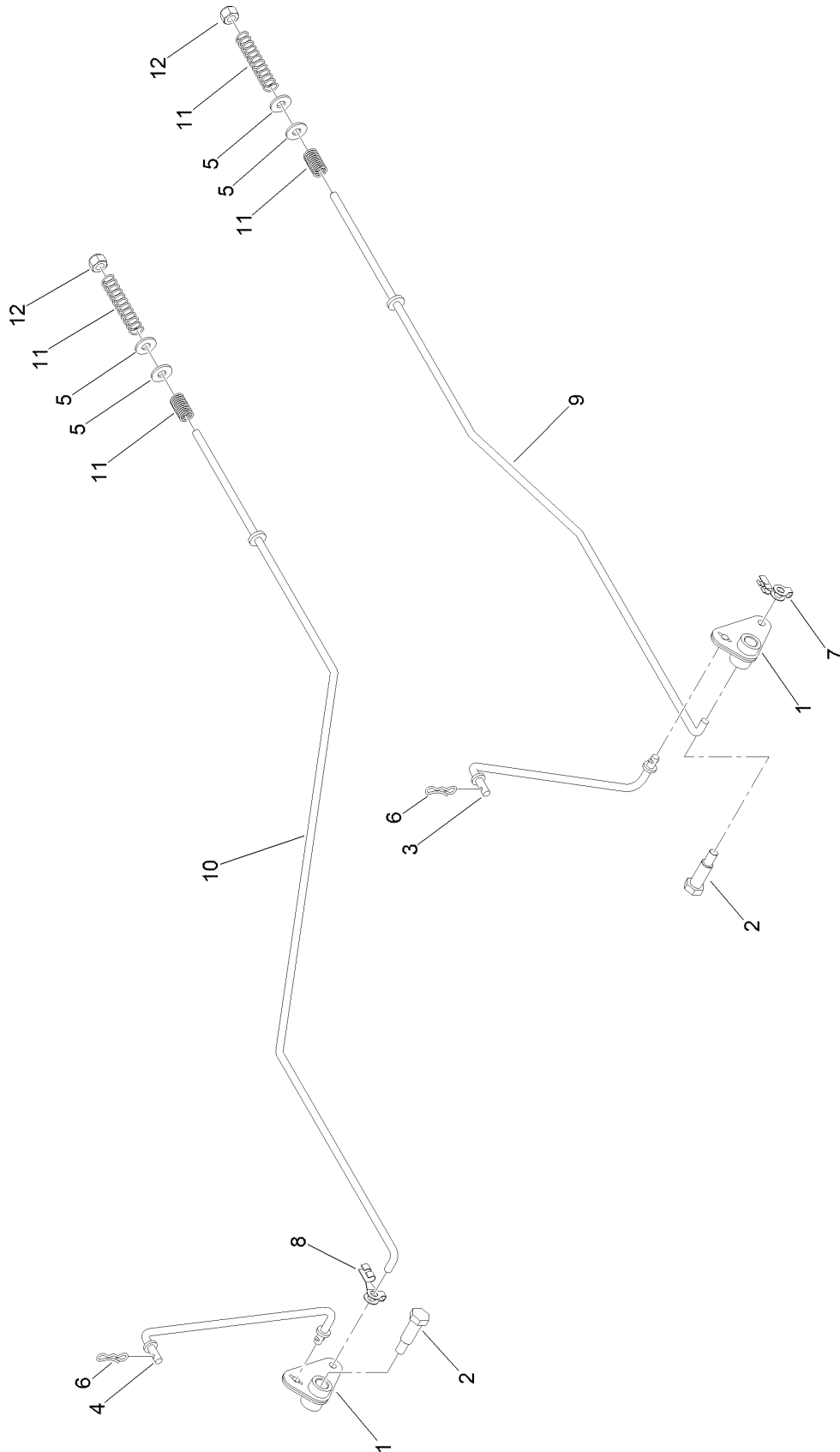
Traction Drive Assembly



Traction Drive Assembly (continued)

<i>Ref.</i>	<i>Part Number</i>	<i>Qty.</i>	<i>Description</i>	<i>Ref.</i>	<i>Part Number</i>	<i>Qty.</i>	<i>Description</i>
1	139-7470	1	LH Hydro Transaxle ASM	14	5-4460	1	Washer-Pivot
2	139-7471	1	RH Hydro Transaxle ASM	15	137-7040	1	Spring-Return, Pedal
3	147-2988	1	Rod-Bypass, LH	16	119-4041	8	Nut-HF
4	147-2989	1	Rod-Bypass, RH	17	322-11	2	Screw-HH
5	119-8952	2	Washer-Spcl	18	145-6388	2	Screw-HH Spcl
6	3290-307	2	Pin-Cotter	19	139-2574	2	Nut-HF
7	145-6390-05	1	Plate-Cross Hydro	20	138-7590	4	Screw-HHF
8	145-6361	1	V-Belt (A Sec 63.8 EI)	21	115-1794	1	Screw-HHF
9	138-7597	1	Pulley-Idler, Flat	22	3230-8	1	Screw-CARR
10	68-0030	1	Idler	23	139-2564	8	Nut-Lug
11	147-2925	1	Arm-Idler	24	324-10	4	Screw-HH
12	138-7277	1	Spacer-Arm, Idler	25	324-8	2	Screw-HH
13	138-9809	1	Spacer	26	114-8417	6	Nut-HF, NI

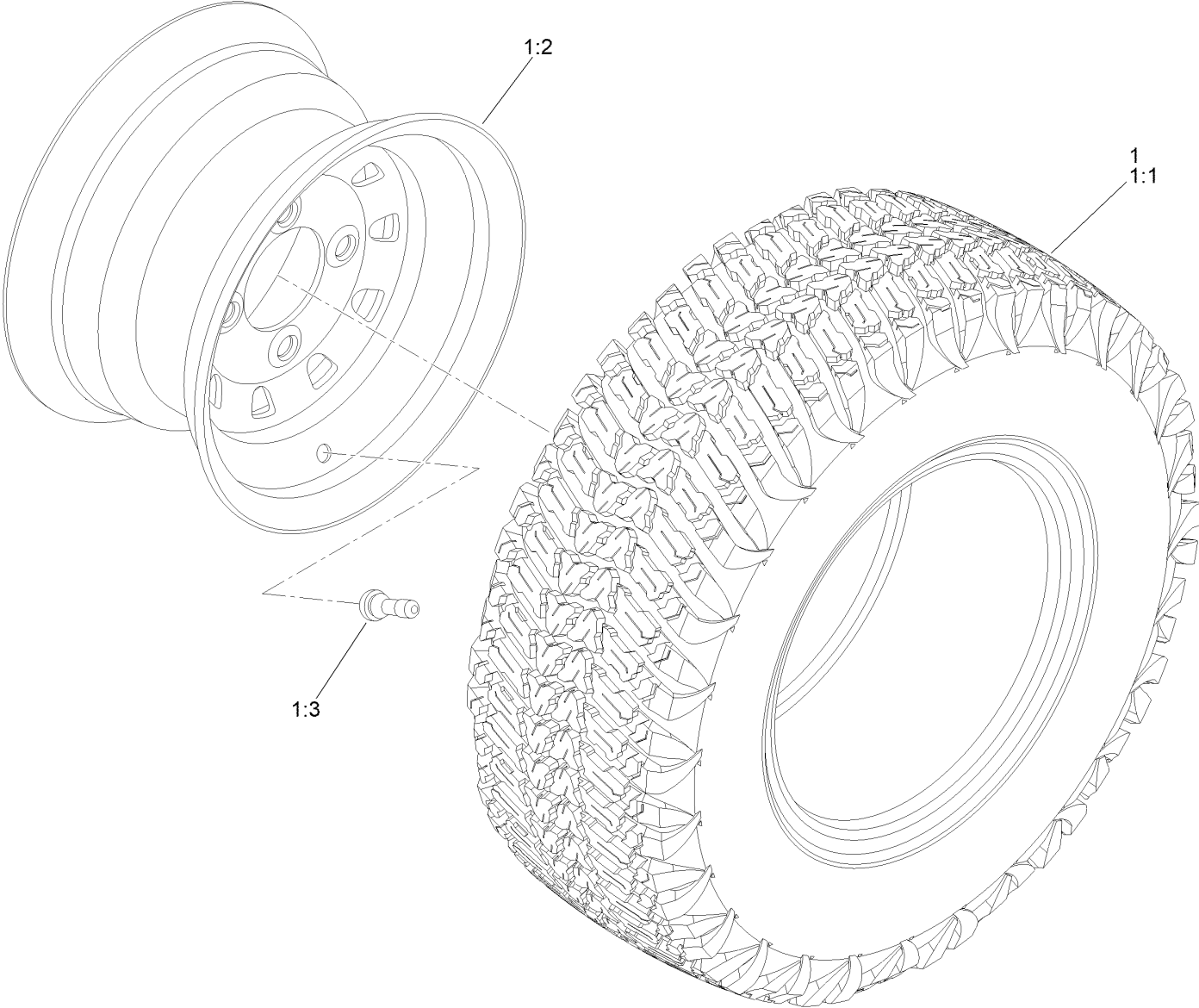
Brake Assembly



Brake Assembly (continued)

<i>Ref.</i>	<i>Part Number</i>	<i>Qty.</i>	<i>Description</i>	<i>Ref.</i>	<i>Part Number</i>	<i>Qty.</i>	<i>Description</i>
1	161-6420	2	Bellcrank	7	144-1816	1	Clip-Rod, LH (7L, 1/4In)
2	145-6364	2	Bolt-Shoulder	8	144-1815	1	Clip-Rod, RH (7R, 1/4In)
3	145-4607	1	Link-Brake, LH	9	144-1860	1	Rod-Brake, LH
4	145-6238	1	Link-Brake, RH	10	144-1851	1	Rod-Brake, RH
5	119-8952	4	Washer-Spcl	11	117-1169	4	Spring-Compression
6	119-1414	2	Pin-Cotter, Locking	12	3296-42	2	Nut-Lock, NI

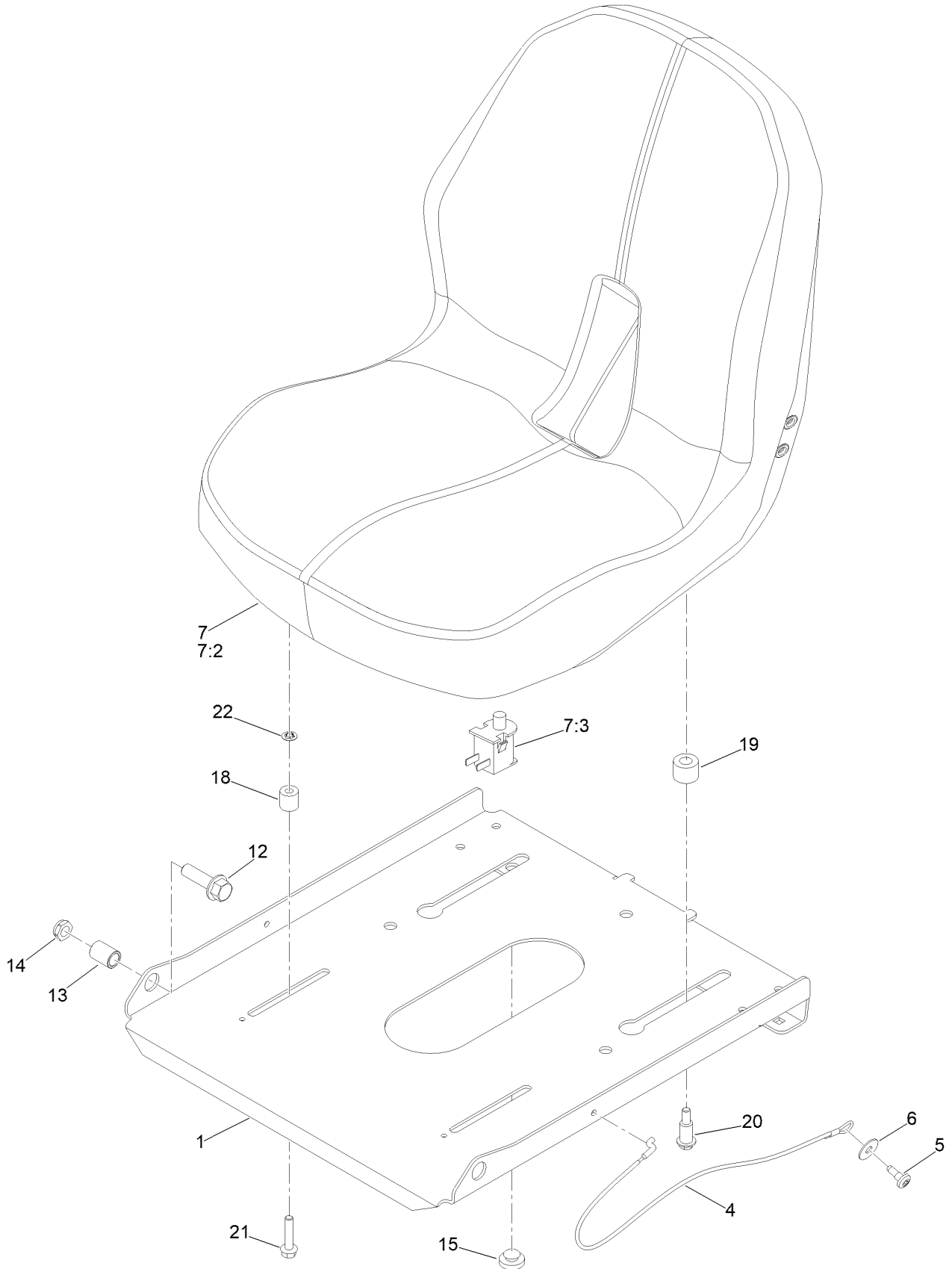
Rear Wheel and Tire Assembly



Rear Wheel and Tire Assembly (continued)

<i>Ref.</i>	<i>Part Number</i>	<i>Qty.</i>	<i>Description</i>	<i>Ref.</i>	<i>Part Number</i>	<i>Qty.</i>	<i>Description</i>
1	148-0893	2	Tire ASM	1:2	422-0060-00	1	Rim
1:1	422-0055-00	1	Tire	1:3	232-27	1	Stem-Valve

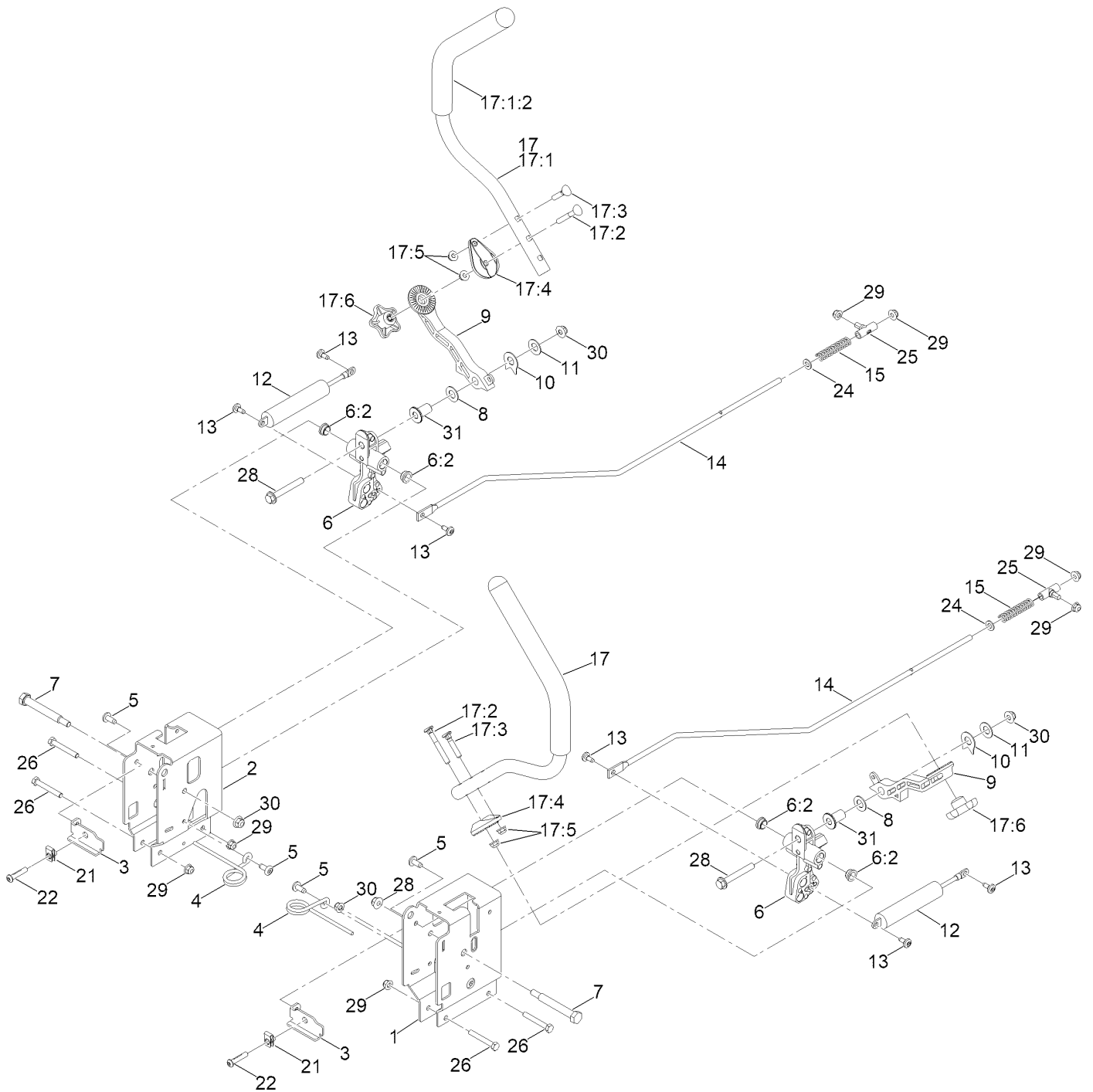
Seat Pan Assembly



Seat Pan Assembly (continued)

<i>Ref.</i>	<i>Part Number</i>	<i>Qty.</i>	<i>Description</i>	<i>Ref.</i>	<i>Part Number</i>	<i>Qty.</i>	<i>Description</i>
1	163-3158-P11	1	Pan-Seat, Lowered	13	161-9735	2	Bushing-Pivot, Seat
4	139-2398	1	Cable-Lanyard	14	3296-45	2	Nut-Hex
5	135-2015	1	Screw-Shoulder	15	135-0505	2	Bumper-Seat
6	147-5287	1	Washer-Flat	18	148-1424	2	Spacer, Seat
7	148-0485	1	Service-Seat	19	148-1425	2	Spacer, Seat
7:2	161-6446	1	Cover-Seat	20	136-7192	2	Bolt-Shoulder, HHF
7:3	82-2190	1	Switch-Bail	21	140-5024	2	Screw-HHF
12	130-6481	2	Screw-HHF	22	109-5667	2	Nut-Push

Motion Control Assembly

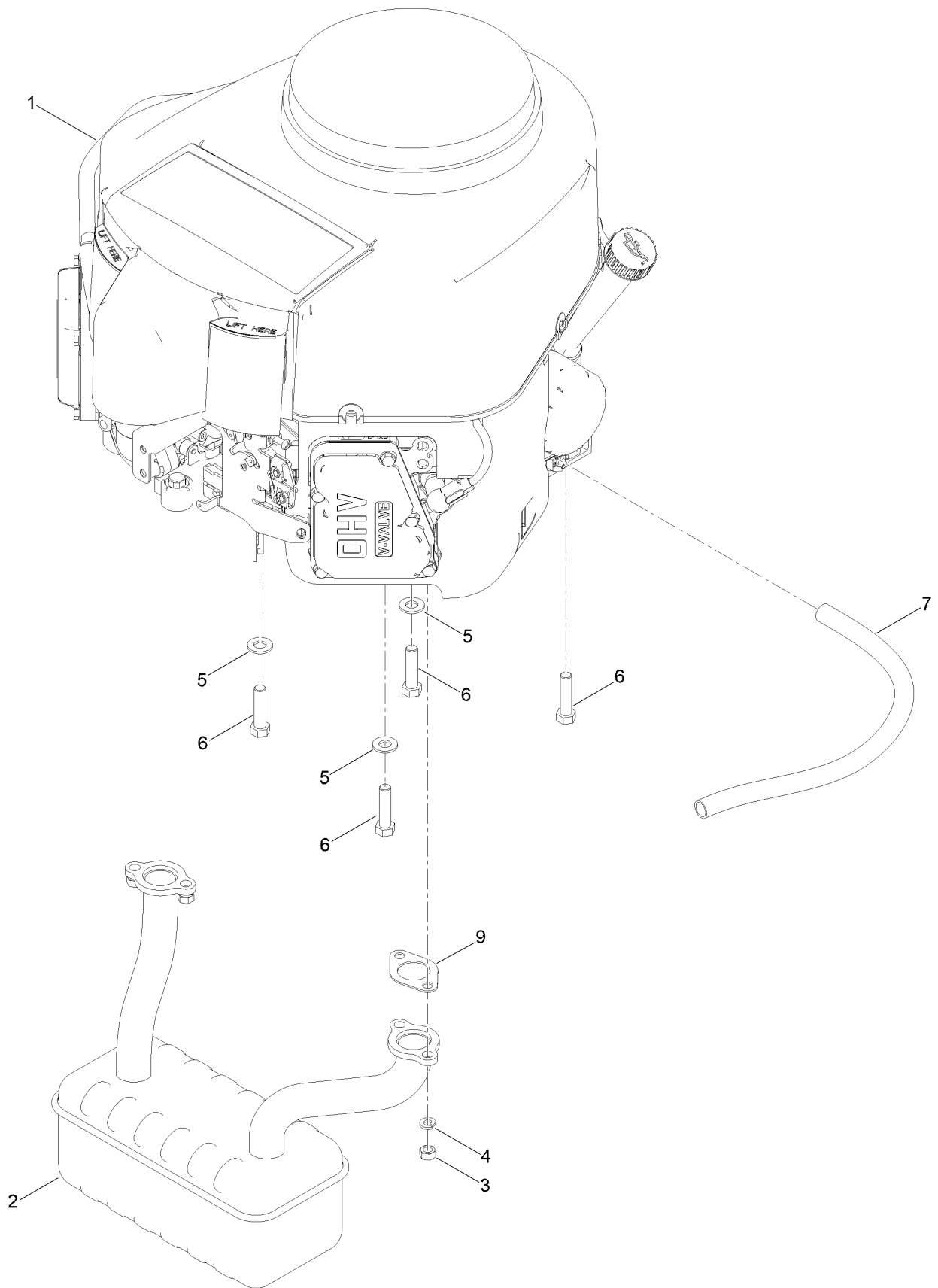


Motion Control Assembly (continued)

<i>Ref.</i>	<i>Part Number</i>	<i>Qty.</i>	<i>Description</i>	<i>Ref.</i>	<i>Part Number</i>	<i>Qty.</i>	<i>Description</i>
1	163-5941-P11	1	Box-Control-LH	17:1		1	Handle-Control ●
2	163-5942-P11	1	Box-Control-RH	17:1:2	147-3029	1	Grip
3	163-3189	2	Adjustment Plate-Control Box	17:2	145-6366	1	Screw-Handle
4	145-6253	2	Spring-Torsion	17:3	137-3008	1	Screw-Handle
5	138-9753	4	Screw	17:4	147-5192-05	1	Disc-Adjustment Handle, 32 Teeth
6	164-3311	2	Pivot Arm ASM	17:5	138-8401	2	Nut-HF
6:2	163-3186	2	Bushing-Flange	17:6	117-5976	1	Knob-Handle
7	115-5099	2	Bolt-Pivot	21	112-3306	2	Nut
8	163-7396	4	Washer-Friction	22	126-4299	2	Screw-HSBH
9	147-5191-05	2	Arm-Control, 32 Teeth	24	120-9683	2	Washer-Plain
10	142-8478	2	Spacer, Anti-Rotation	25	138-7218	2	Mount-Rod, Hydro
11	119-8925	2	Washer-Belleville	26	322-11	4	Screw-HH
12	161-6514	2	Damper - Non Cavitating	28	133-9682	2	Screw-Hfh
13	120-7950	6	Screw-Torx	29	119-4041	8	Nut-HF
14	145-4699	2	Rod - Hydro, LH	30	119-4042	4	Nut-HF, NI
15	138-7252	2	Spring-Compression	31	163-2335	2	Spacer-Pivot
17	161-6526	2	Control Handle ASM				

● Not serviced separately

Engine and Muffler Assembly



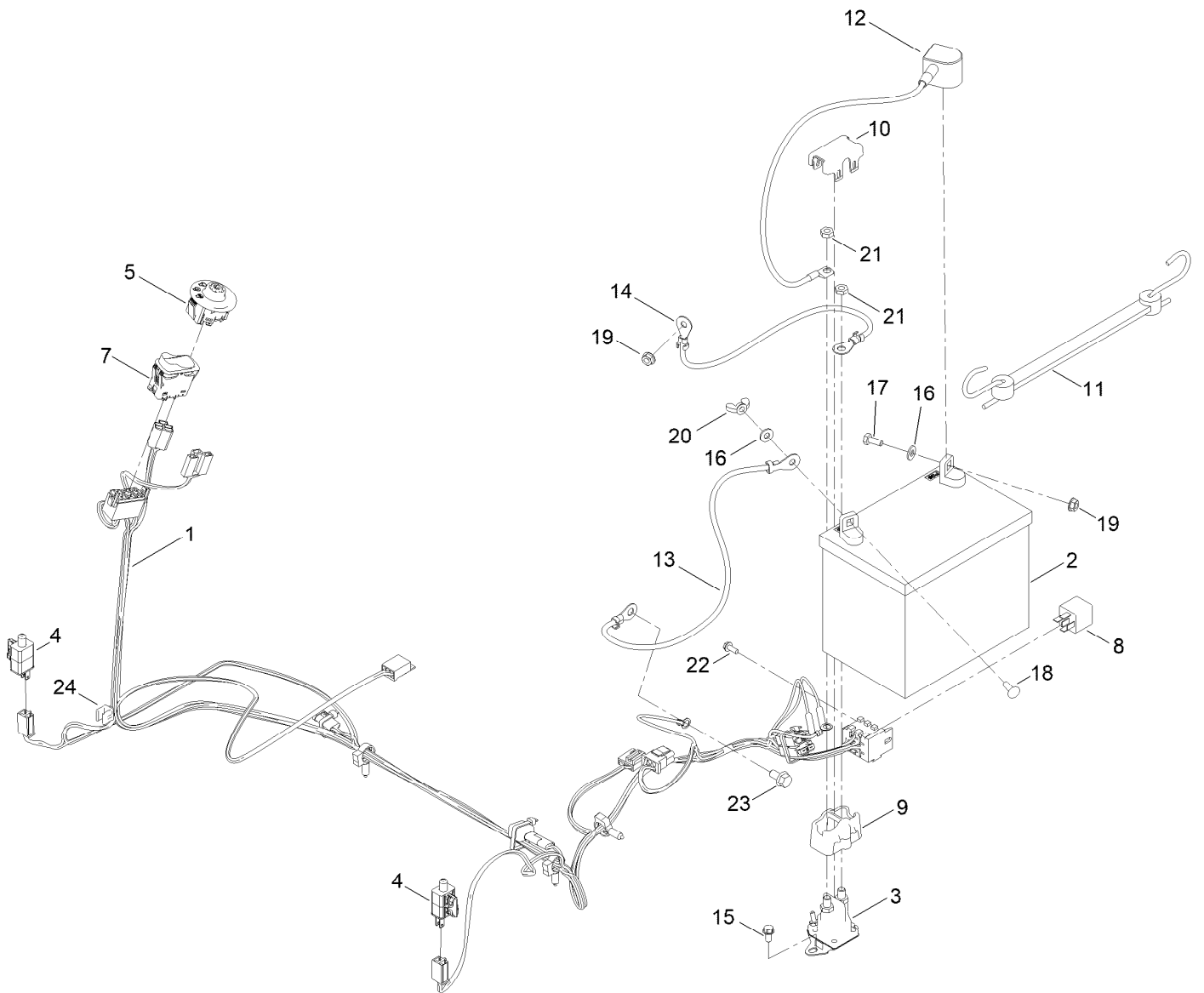
Engine and Muffler Assembly (continued)

<i>Ref.</i>	<i>Part Number</i>	<i>Qty.</i>	<i>Description</i>	<i>Ref.</i>	<i>Part Number</i>	<i>Qty.</i>	<i>Description</i>
1		1	Engine-Kawasaki, Fr691V-_s07-R ●■	5	3256-24	3	Washer-Plain
2	139-5867	1	Muffler	6	323-50	4	Bolt-HH
3	114-3549	4	Nut	7	106-7022	1	Tube-Drain, Oil
4	114-3550	4	Washer-Lock	9	1-653313	2	Gasket-Exhaust

● Not serviced separately

■ Obtain parts from www.kawpower.com

Electrical Assembly



Electrical Assembly (continued)

<i>Ref.</i>	<i>Part Number</i>	<i>Qty.</i>	<i>Description</i>	<i>Ref.</i>	<i>Part Number</i>	<i>Qty.</i>	<i>Description</i>
1	145-6382	1	Harness-Wire, Main	14	121-0711	1	Cable-Battery, Positive
2	140-2076	1	Battery - Wet	15	32144-4	2	Screw-HWH
3	117-1197	1	Solenoid	16	3256-22	2	Washer-Flat
4	110-6765	2	Switch	17	321-3	1	Screw-HH
5	137-4100	1	Switch-Ignition	18	3229-1	1	Screw-CARR
7	139-6368	1	Switch-Rocker, On-None-On	19	32128-33	2	Nut-HF
8	1-643275	1	Relay	20	32103-22	1	Nut-Wing
9	140-2080	1	Cover-Solenoid	21	3220-2	2	Nut-Hex Jam
10	140-2081	1	Cap-Solenoid	22	139-1713	1	Screw-Thd Roll
11	104-2466	1	Holddown-Battery	23	33104-016	1	Screw-HHF
12	147-2941	1	Cable-Battery,Red	24	32180-082	1	Clip-Edge W/Tie, Perpendicular
13	119-8899	1	Cable-Battery, Black				

Main Wire Harness Assembly No. 145-6382

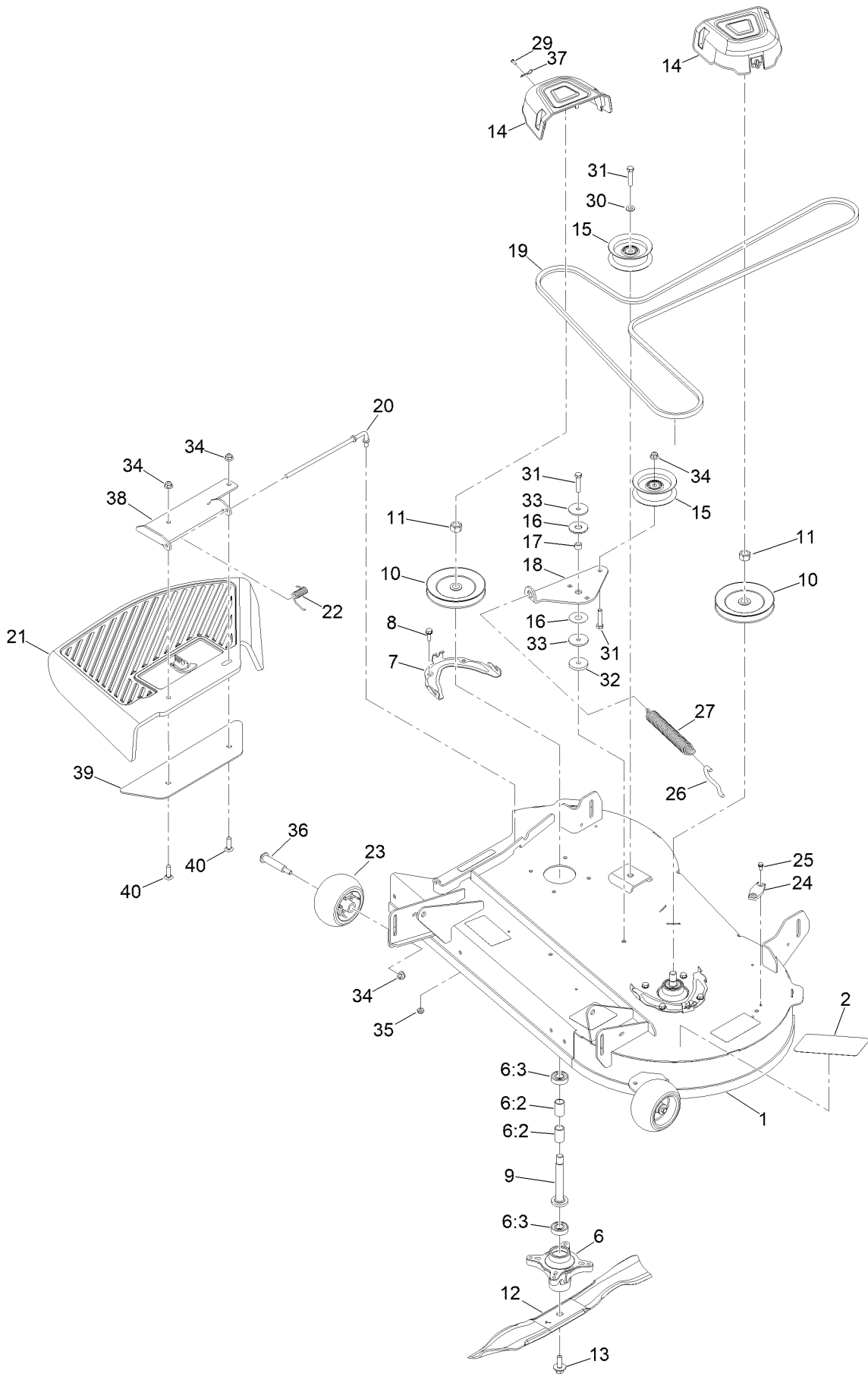


Main Wire Harness Assembly No. 145-6382 (continued)

<i>Ref.</i>	<i>Part Number</i>	<i>Qty.</i>	<i>Description</i>
7	109355	1	Fuse-Blade, 15 Amp
8	109102	1	Fuse-Blade, 25 Amp
9	32160-029	1	Connector-Molded, 1F,1M

<i>Ref.</i>	<i>Part Number</i>	<i>Qty.</i>	<i>Description</i>
10	100-4918	1	Diode
11	32180-047	3	Clip-Tubing, Harness

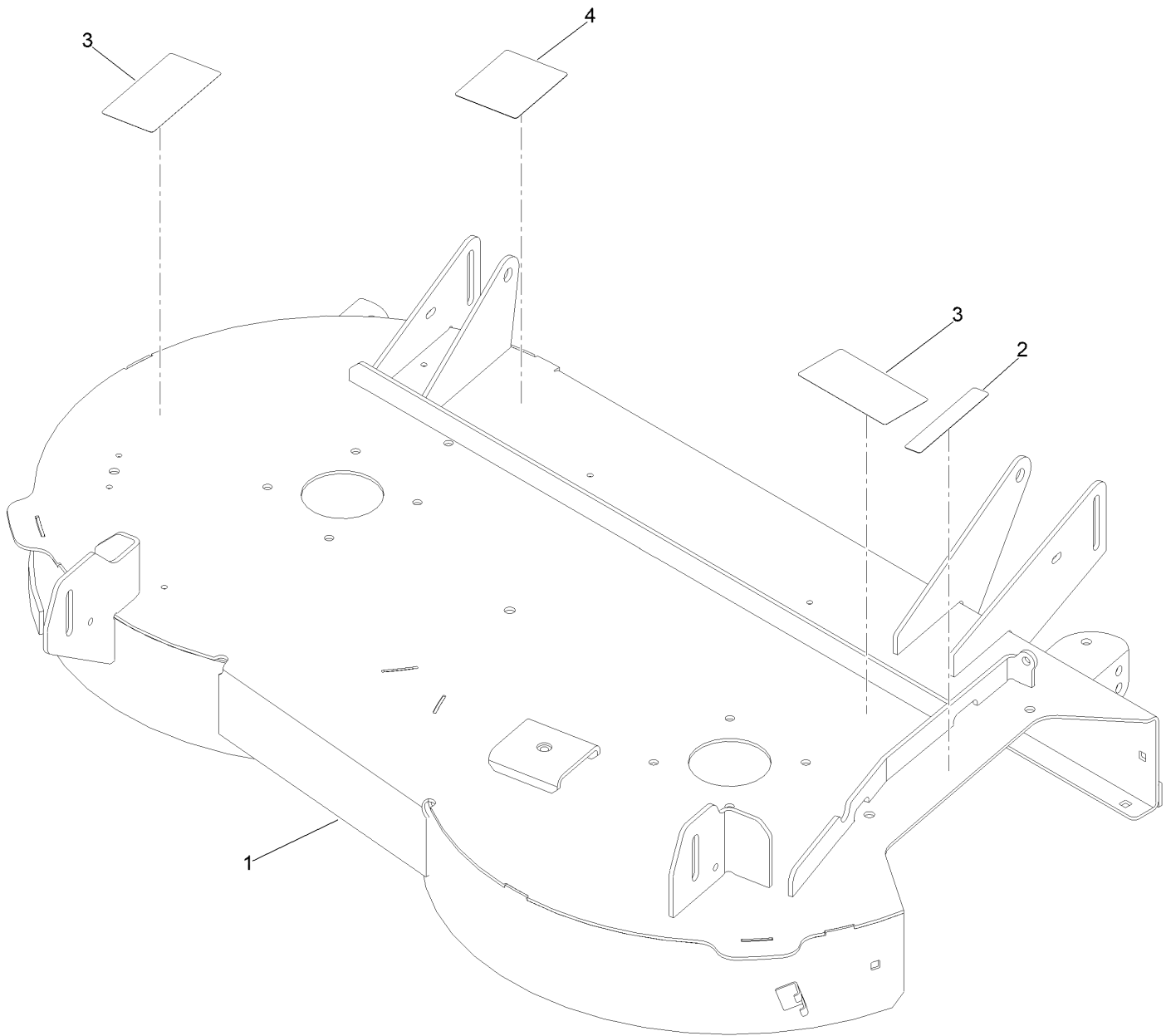
42 Inch Deck Assembly



42 Inch Deck Assembly (continued)

<i>Ref.</i>	<i>Part Number</i>	<i>Qty.</i>	<i>Description</i>	<i>Ref.</i>	<i>Part Number</i>	<i>Qty.</i>	<i>Description</i>
1	161-6440	1	42In Deck & Decal ASM	21	148-0399	1	Deflector-Discharge
2	148-0436	1	Decal-Deck 42In	22	138-7268	1	Spring-Torsion
6	139-3214	2	Spindle ASM	23	1-603299	2	Roller-Scalp, Anti
6:2	120-7935	2	Spacer	24	136-4171	1	Cover-Washout Port
6:3	138-9770	2	Bearing-Ball	25	32144-4	2	Screw-HWH
7	139-3272-05	2	Bracket-Cover, Belt	26	138-7267	1	Hook-Spring, Return
8	32144-41	8	Screw-Taptite	27	138-7265	1	Spring Extension
9	117-7268	2	Shaft-Spindle	29	94-6961	2	Screw
10	139-2433	2	Pulley	30	3256-24	1	Washer-Plain
11	3219-6	2	Nut-Hex	31	323-9	3	Screw-HH
12	137-1999-03	2	Blade	32	110-9981	1	Washer-Plain
13	145-0411	2	Bolt-Blade, Sems	33	139-1726	2	Washer-Rebound
14	144-1905	2	Cover-Belt	34	119-4042	6	Nut-HF, NI
15	132-9420	2	Pulley-Idler, Flat	35	3296-59	1	Nut-Lock, NI
16	114-0463	2	Washer-Friction, Composite	36	112-3977	2	Bolt-Shoulder
17	115-4986	1	Spacer	37	144-1944	2	Pin-Hair
18	138-7262	1	Arm-Idler (Mty/Wdm)	38	161-6435-P11	1	Bracket-Discharge, Top
19	119-8819	1	V-Belt	39	161-6437-P11	1	Support-Deflector
20	137-2019	1	Rod-Pivot	40	3231-28	2	Screw-CARR

Deck Decal Assembly No. 161-6440

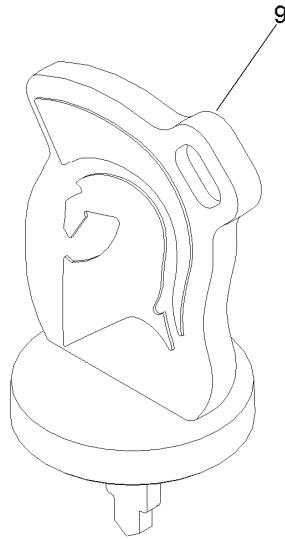
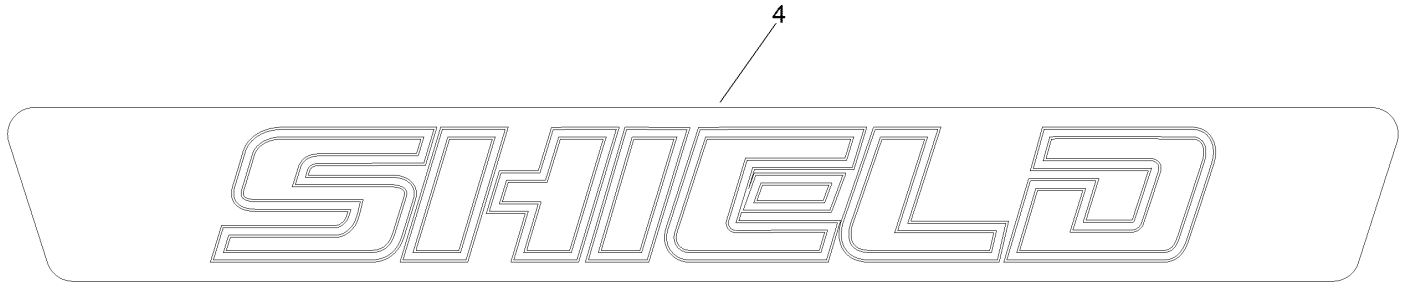


Deck Decal Assembly No. 161-6440 (continued)

<i>Ref.</i>	<i>Part Number</i>	<i>Qty.</i>	<i>Description</i>	<i>Ref.</i>	<i>Part Number</i>	<i>Qty.</i>	<i>Description</i>
1		1	Deck-42 ●	3	132-0872	2	Decal-Danger, Deck
2	130-0731	1	Decal-Danger	4	163-5998	1	Decal-Routing, Belt

● Not serviced separately

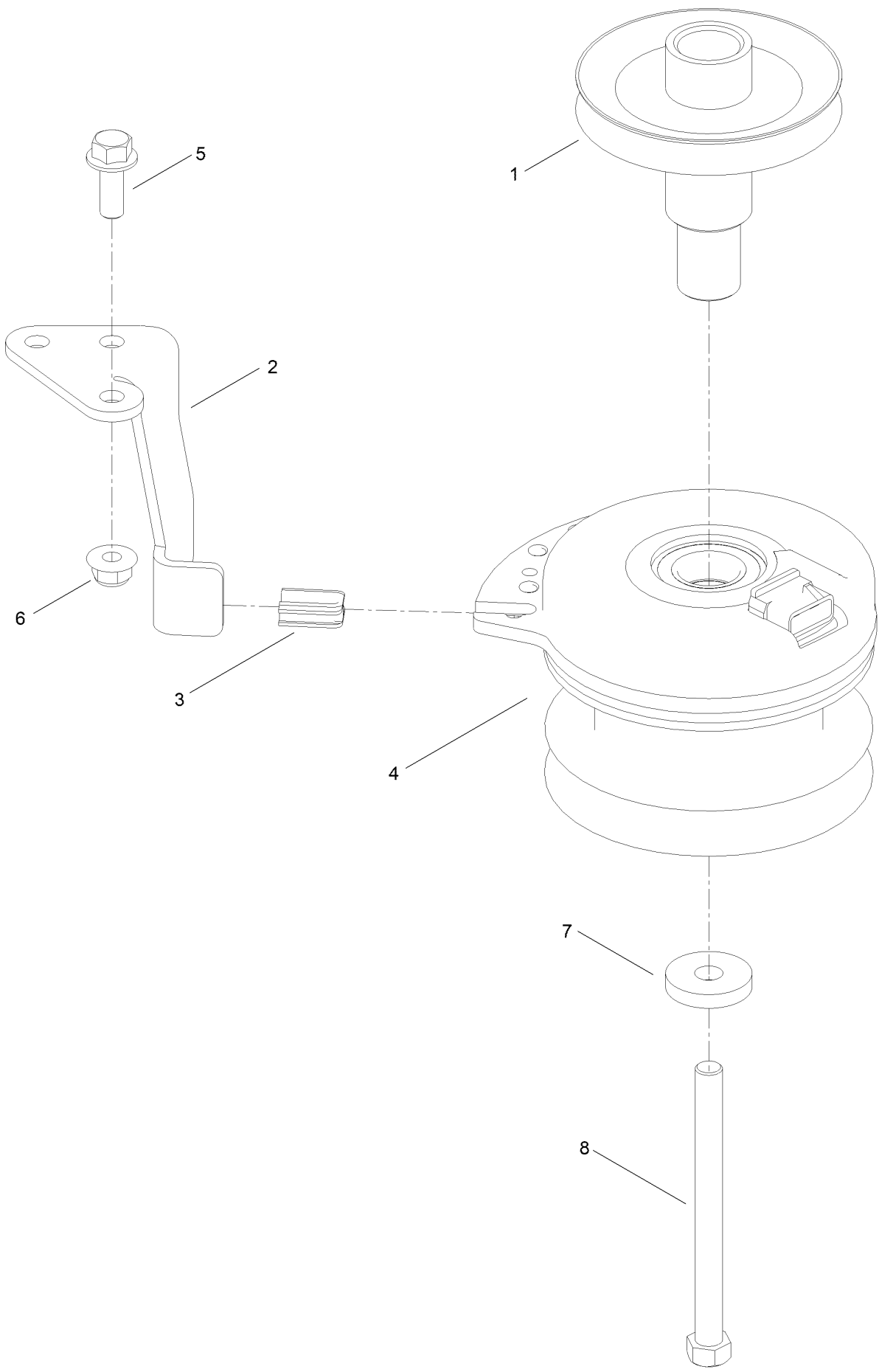
Model Specific Assembly



Model Specific Assembly (continued)

<i>Ref.</i>	<i>Part Number</i>	<i>Qty.</i>	<i>Description</i>
4	148-0021	1	Decal-Shield, Front
9	148-0479	1	Key-Ignition

Clutch Assembly



Clutch Assembly (continued)

<i>Ref.</i>	<i>Part Number</i>	<i>Qty.</i>	<i>Description</i>	<i>Ref.</i>	<i>Part Number</i>	<i>Qty.</i>	<i>Description</i>
1	138-9792	1	Pulley-Engine	5	3234-42	1	Screw-HHF
2	147-7604	1	Stop - Clutch (Narrow)	6	119-4042	1	Nut-HF, NI
3	120-2217	1	Isolator-Clutch	7	112843	1	Washer
4	145-6230	1	Clutch-PTO	8	3212-19	1	Screw-HH

Attachments and Accessories

For SZSH1K42691KR — Shield 42in Zero Turn Riding Mower

Product Name	Model/Part
Shield 42in Bagger	SP09101
42in Recycler Kit.....	148-1292
Bagging Enhancement Kit	148-1287
Hour Meter Kit.....	147-8791
Shield Mower Optional ROPS.....	SP09100
Assist Bar Kit	148-1286
Jack Mount	148-1283
Arm Pad Upgrade Kit.....	148-1417
Mower Cover	148-0276
Led Light Kit.....	148-1289
Slope Sensor Kit.....	79489
Jack Kit.....	127-6666
Rear Hitch Kit	148-1405
Spartan 5W-40 Fully Synthetic Engine Oil	785-1001-00
Kawasaki Oil Change Kit	148-1384
Kawasaki Maintenance Kit.....	148-1385

Notes:

Notes:

Notes:

