



**Shield HD 54in
Zero Turn Riding Mower**

Model No. SZSD1K54724SE—Serial No. 40000000 and Up

Parts Catalog



Ordering Replacement Parts

To order replacement parts, please supply the part number, the quantity, and the description of each part desired.

Understanding Reference Numbers

Each identified part in an illustration has a reference number. The reference number for a part also appears in the parts list, along with other information about the part.

This catalog uses two special reference number formats, one to indicate parts in a service assembly and another to indicate the quantity of a given part in an illustration.

Service Assembly Reference Numbers

Parts in service assemblies have reference numbers in the form a:b. The a represents the reference number of the entire service assembly and the b represents a sequential number unique to each part within the service assembly.

For example, a wheel assembly might be identified by reference number 6, the tire by 6:1, the valve by 6:2, and the wheel by 6:3. When you order the assembly identified by reference number 6, you receive all parts identified by reference numbers 6:1, 6:2, and 6:3. However, you may also order any part individually. Reference numbers of this type appear in illustration and in parts lists.

Reference Numbers Indicating Quantity

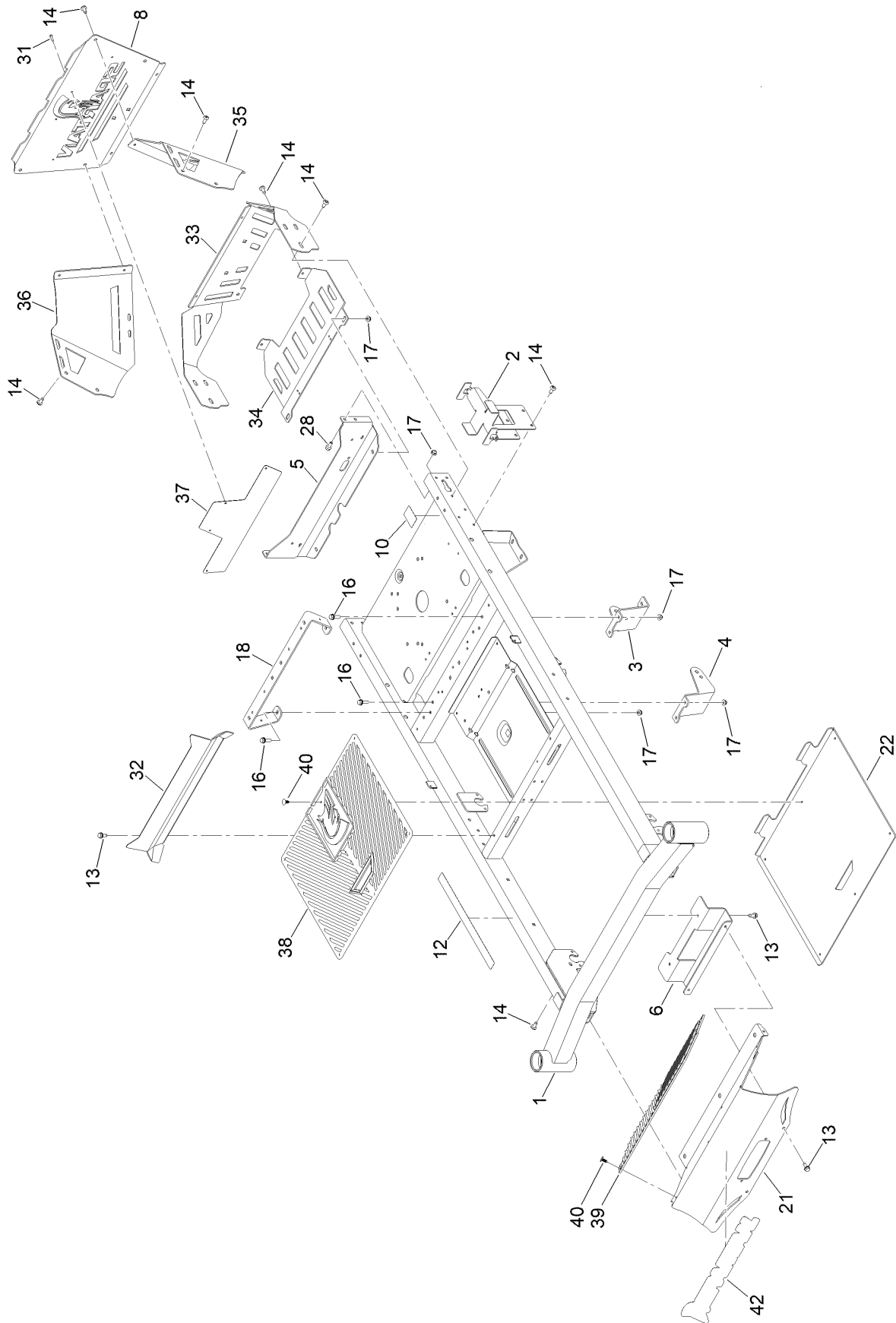
In an illustration, if a reference number indicates more than one part, the reference number has the form nX y. The n represents the quantity of the part, the X is the multiplication symbol, and the y represents the reference number.

For example, in an illustration, the reference number 2X 37 means that two of the parts identified by reference number 37 are indicated.

Contents

Frame Assembly	4
Fuel Delivery and Body Styling Assembly	6
Fuel Tank Assembly No. 161-6588	8
LH Upper Pod W/Decal Assembly No. 148-0284	10
RH Upper Pod W/Decal Assembly No. 148-0280	12
Decklift Assembly	14
Caster Wheel Assembly	16
Wheel Assembly No. 145-4692	18
Traction Control Assembly	20
Brake Assembly	22
Rear Tire Assembly	24
Seat Pan Assembly	26
Motion Control Assembly	28
Engine and Muffler Assembly	30
Electrical Assembly	32
Main Wire Harness Assembly No. 145-6382	34
54 Inch Deck Assembly	36
Deck Decal Assembly No. 161-6439	38
Model Specific Assembly	40
Clutch Assembly	42
Air Assembly	44
Alternator Assembly	46
Controls Assembly	48
Crankshaft and Piston Assembly	50
Cylinder Block Assembly	52
Exhaust Assembly	54
Flywheel Assembly	56
Head Exhaust Assembly	58
Housing Assembly	60
Lubrication Service Assembly	62
Sump Assembly	64
Carburetor Assembly	66
Fuel Assembly	68
Attachments and Accessories	70

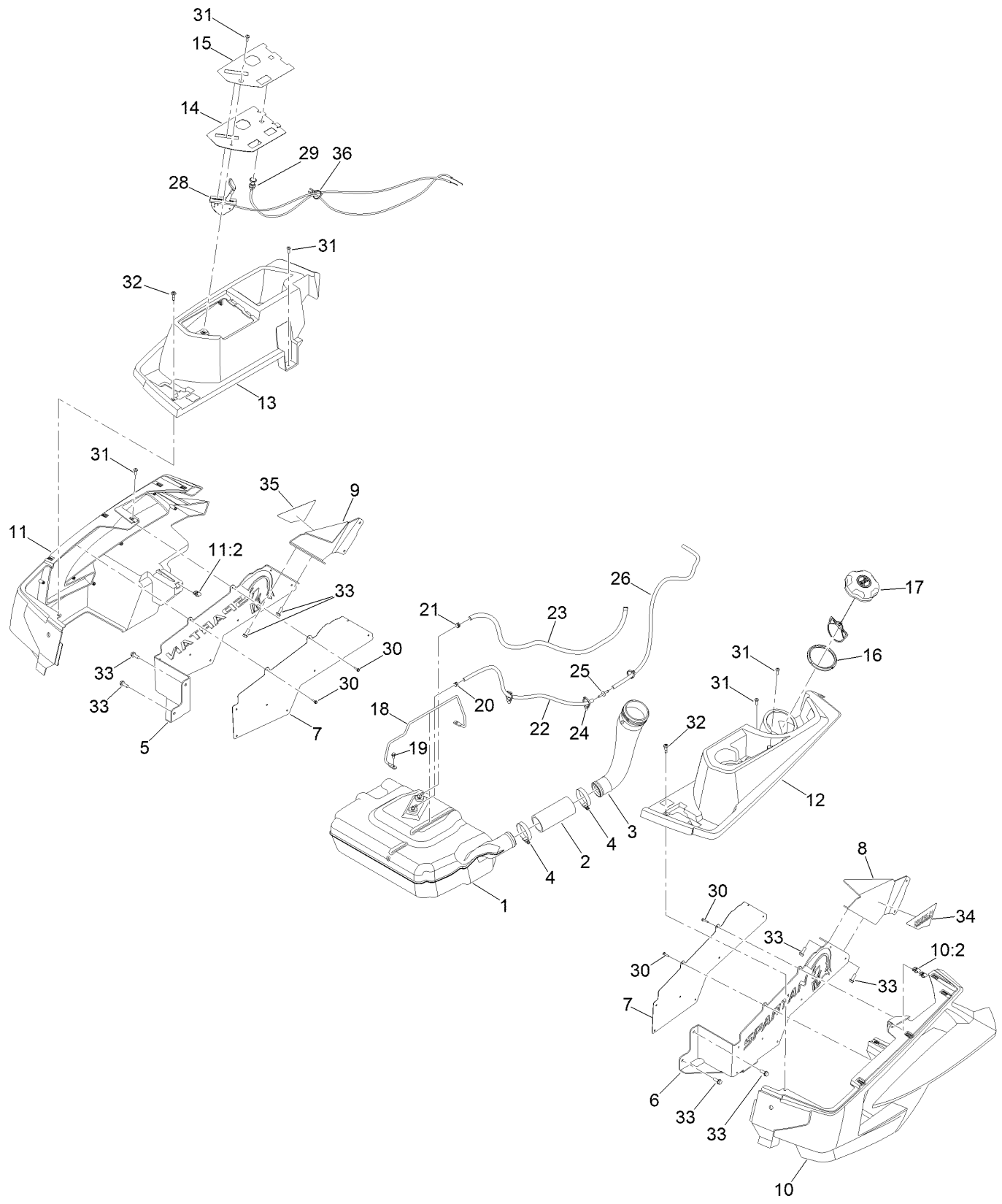
Frame Assembly



Frame Assembly (continued)

<i>Ref.</i>	<i>Part Number</i>	<i>Qty.</i>	<i>Description</i>	<i>Ref.</i>	<i>Part Number</i>	<i>Qty.</i>	<i>Description</i>
1	163-7980	1	Frame ASM	21	148-0023-P11	1	Plate-Front
2	163-6020-P11	1	Tray-Battery	22	148-0006-P11	1	Plate-Floor
3	161-6506-P11	1	Mount-Drive, LH	28	139-2598	4	Screw-HHF
4	161-6507-P11	1	Mount-Drive, RH	31	130-8451	4	Rivet-Trifold
5	163-3137-P11	1	Plate-Mount, Rear	32	161-9744-P11	1	Plate-Kick
6	148-0024-P11	1	Bracket-Support	33	148-1122-P11	1	Guard-Muffler, Top
8	148-1084-P11	1	Shield Guard Engine	34	148-1123-P11	1	Guard-Muffler, Bottom
10	161-6207	1	Decal-Bypass	35	148-0008-P11	1	Cowling-Rear, LH
12	144-5288	1	Decal-Warning	36	148-0009-P11	1	Cowling-Rear, RH
13	32144-70	6	Screw-HWHTF	37	148-0012	1	Plate-Rear
14	138-9753	24	Screw	38	148-0017	1	Floor Mat
16	139-2596	6	Screw-HHF	39	148-0018	1	Front Foot Mat (Spartan)
17	119-4041	12	Nut-HF	40	117-2382	12	Plug-Plastic
18	161-6585-03	1	Support-Seat	42	148-0801	1	Decal-Spartan, Front

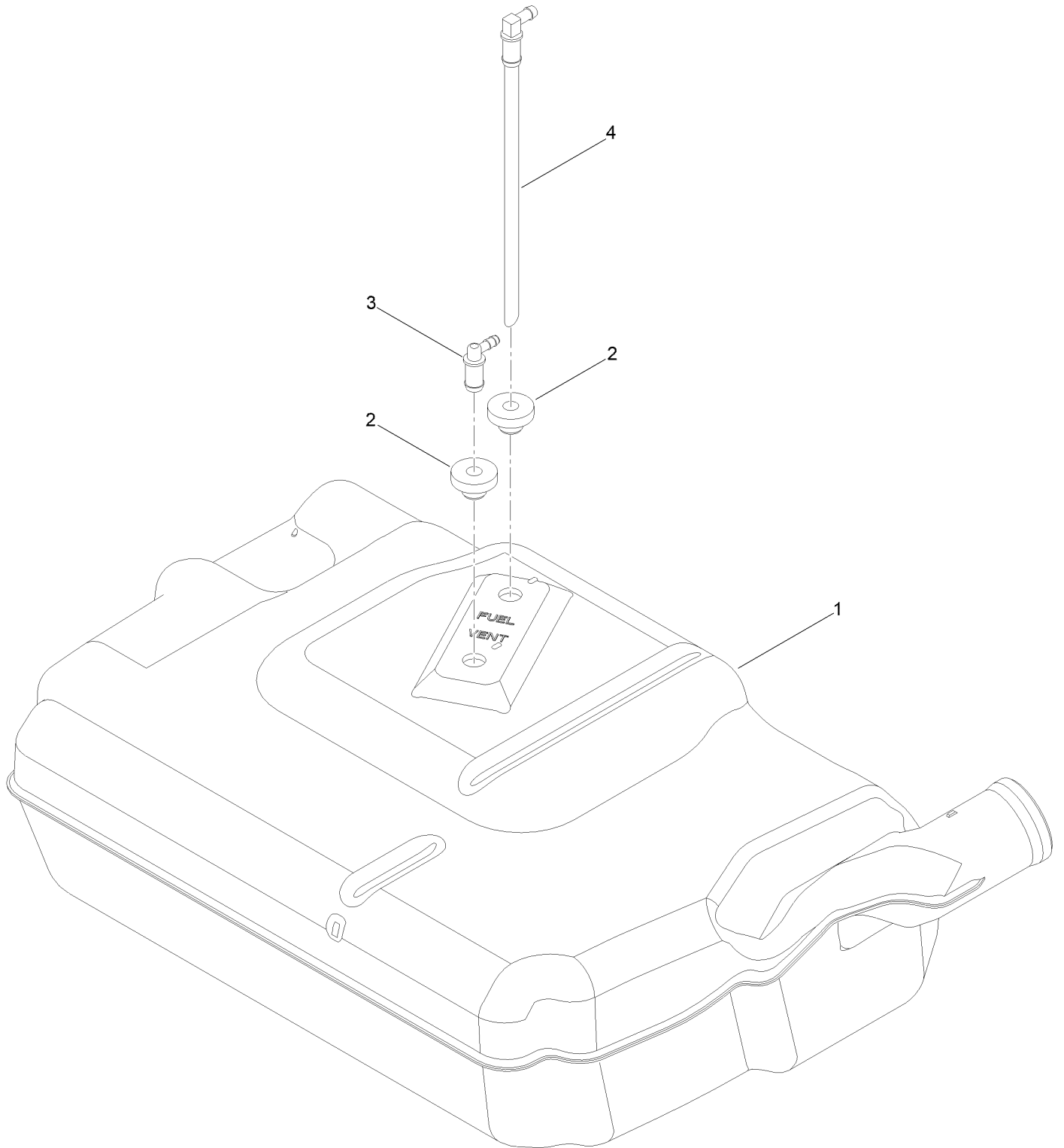
Fuel Delivery and Body Styling Assembly



Fuel Delivery and Body Styling Assembly (continued)

<i>Ref.</i>	<i>Part Number</i>	<i>Qty.</i>	<i>Description</i>	<i>Ref.</i>	<i>Part Number</i>	<i>Qty.</i>	<i>Description</i>
1	161-6588	1	Fuel Tank ASM	17	163-5914	1	Cap Fuel, Ratcheting
2	161-6421	1	Hose-Filler, Fuel	18	147-5176	1	Rod-Hold Down
3	147-2852	1	Neck-Filler, Fuel	19	32144-4	2	Screw-HWH
4	2412-130	2	Clamp-Hose	20	2412-80	1	Clamp-Hose
5	148-0316-P11	1	Bracket-Mount, RH Pod	21	2412-98	2	Clamp-Hose
6	148-0317-P11	1	Bracket-Mount, LH Pod	22	110-3254	1	Hose-Fuel
7	148-1219	2	Plate-Back	23	109-3491	1	Hose-Fuel
8	148-0320-P11	1	Bracket-Mount, LH Pod	24	32180-030	2	Clip-Tie
9	148-0319-P11	1	Bracket-Mount, RH Pod	25	144-1983	1	Adapter Orifice
10	148-0311	1	LH Pod ASM	26	115-4735	1	Hose-Fuel
10:2	107069	2	Clip	28	147-7697	1	Cable-Throttle
11	148-0310	1	RH Lower Pod W/Decal ASM	29	139-2402	1	Cable-Choke
11:2	107069	2	Clip	30	137-3110	18	Screw-Plastite, HWH
12	148-0284	1	LH Upper Pod W/Decal ASM	31	138-0689	5	Screw-PH
13	148-0280	1	RH Upper Pod W/Decal ASM	32	148-0104	2	Screw-Torx
14	163-5955-03	1	Plate-Control Panel	33	32144-41	8	Screw-Taptite
15	163-5957	1	Decal-Control Panel	34	148-0912	1	Decal-Shield HD, LH
16	147-7712	1	Ring-Retaining	35	148-0913	1	Decal-Shield HD, RH
				36	32180-082	1	Clip-Edge W/Tie, Perpendicular

Fuel Tank Assembly No. 161-6588

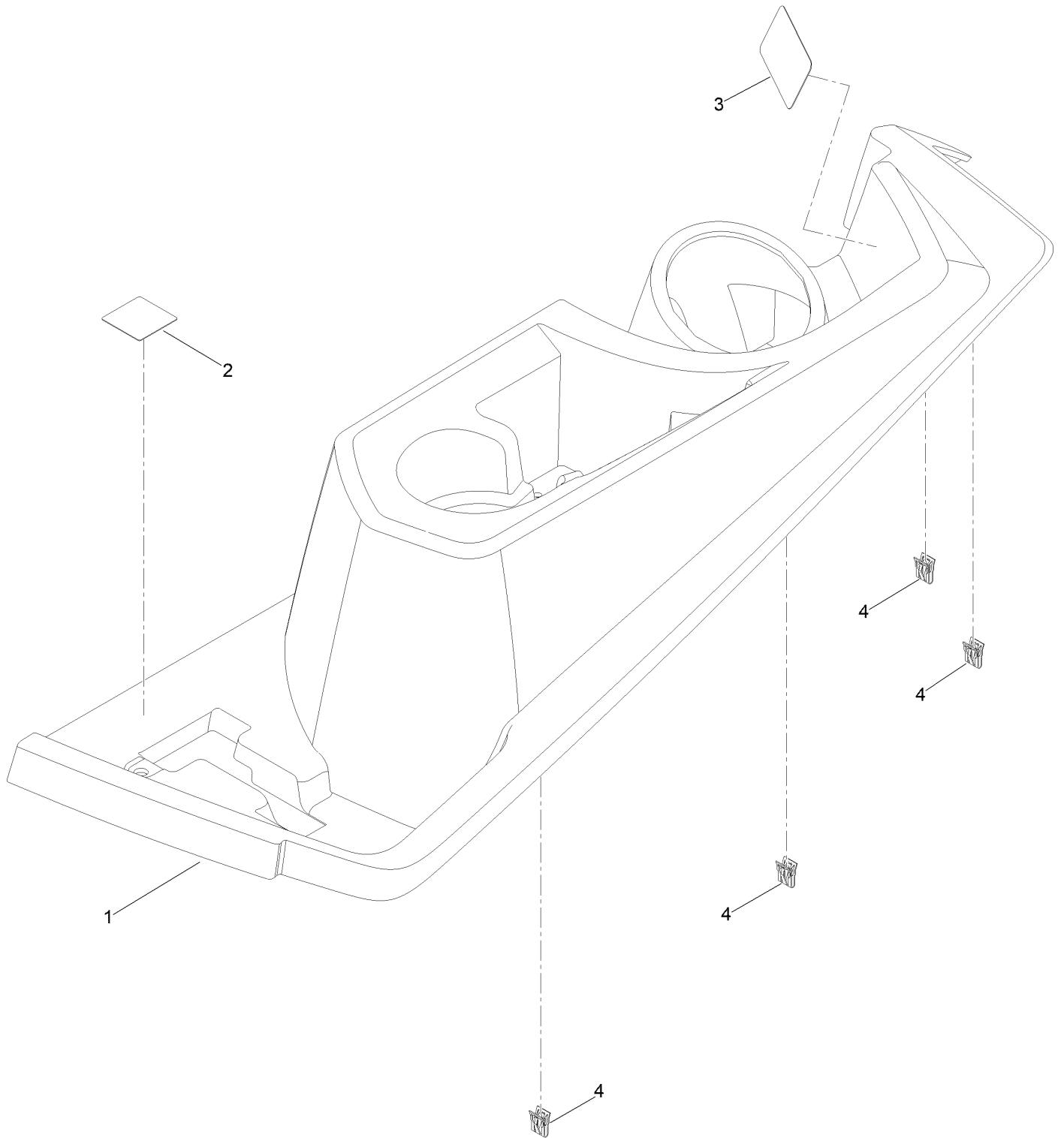


Fuel Tank Assembly No. 161-6588 (continued)

<i>Ref.</i>	<i>Part Number</i>	<i>Qty.</i>	<i>Description</i>	<i>Ref.</i>	<i>Part Number</i>	<i>Qty.</i>	<i>Description</i>
1		1	Tank-Fuel ●	3	161-6609	1	Fitting-Elbow 90
2	46-6560	2	Bushing	4	147-2934	1	Fitting-Pickup, Fuel

● Not serviced separately

LH Upper Pod W/Decal Assembly No. 148-0284

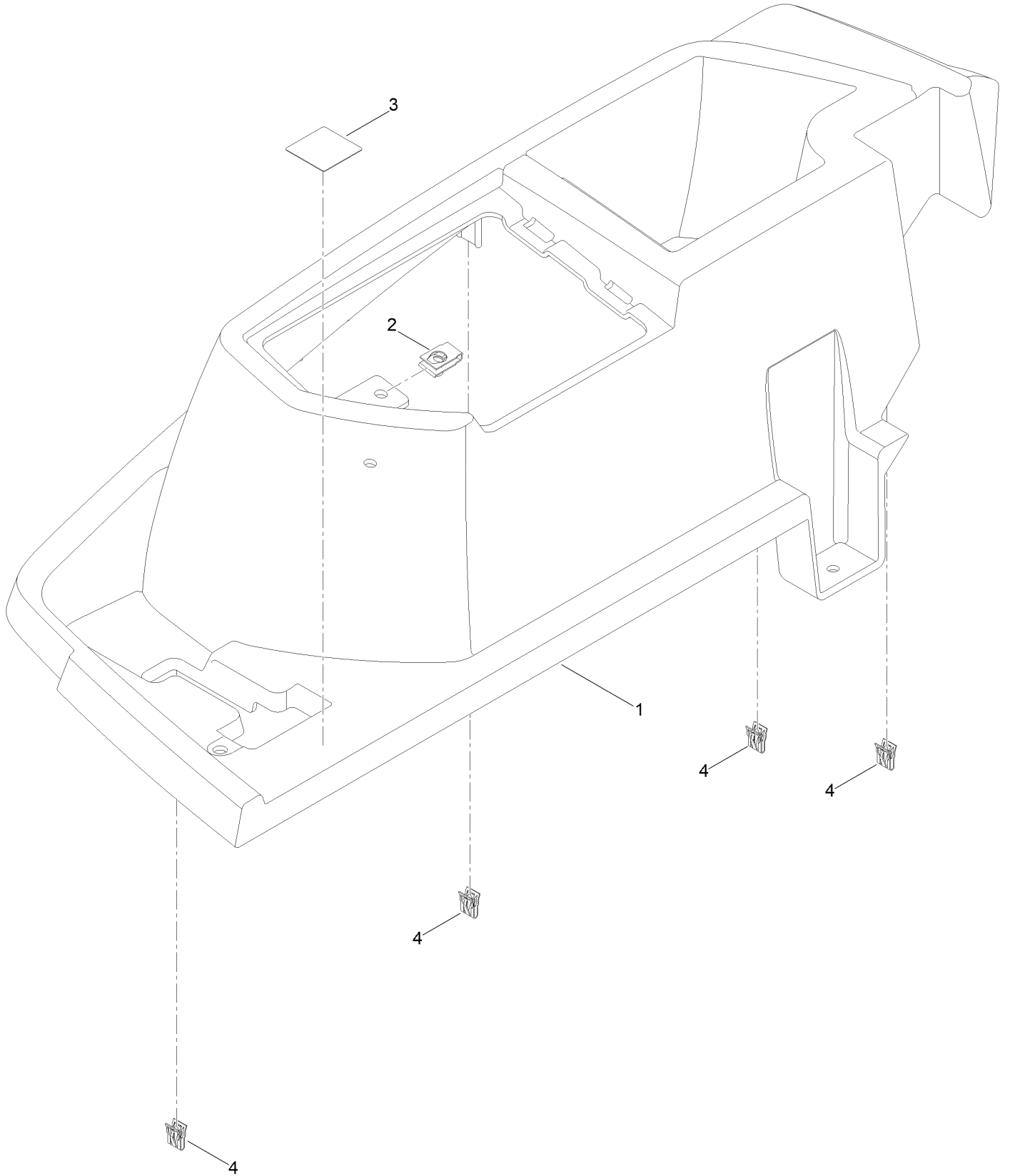


LH Upper Pod W/Decal Assembly No. 148-0284 (continued)

<i>Ref.</i>	<i>Part Number</i>	<i>Qty.</i>	<i>Description</i>	<i>Ref.</i>	<i>Part Number</i>	<i>Qty.</i>	<i>Description</i>
1		1	Pod-Upper, LH ●	3	148-0433	1	Decal-Fuel Fill
2	148-0315	1	Decal-Control, LH	4	148-0423	4	Clip

● Not serviced separately

RH Upper Pod W/Decal Assembly No. 148-0280

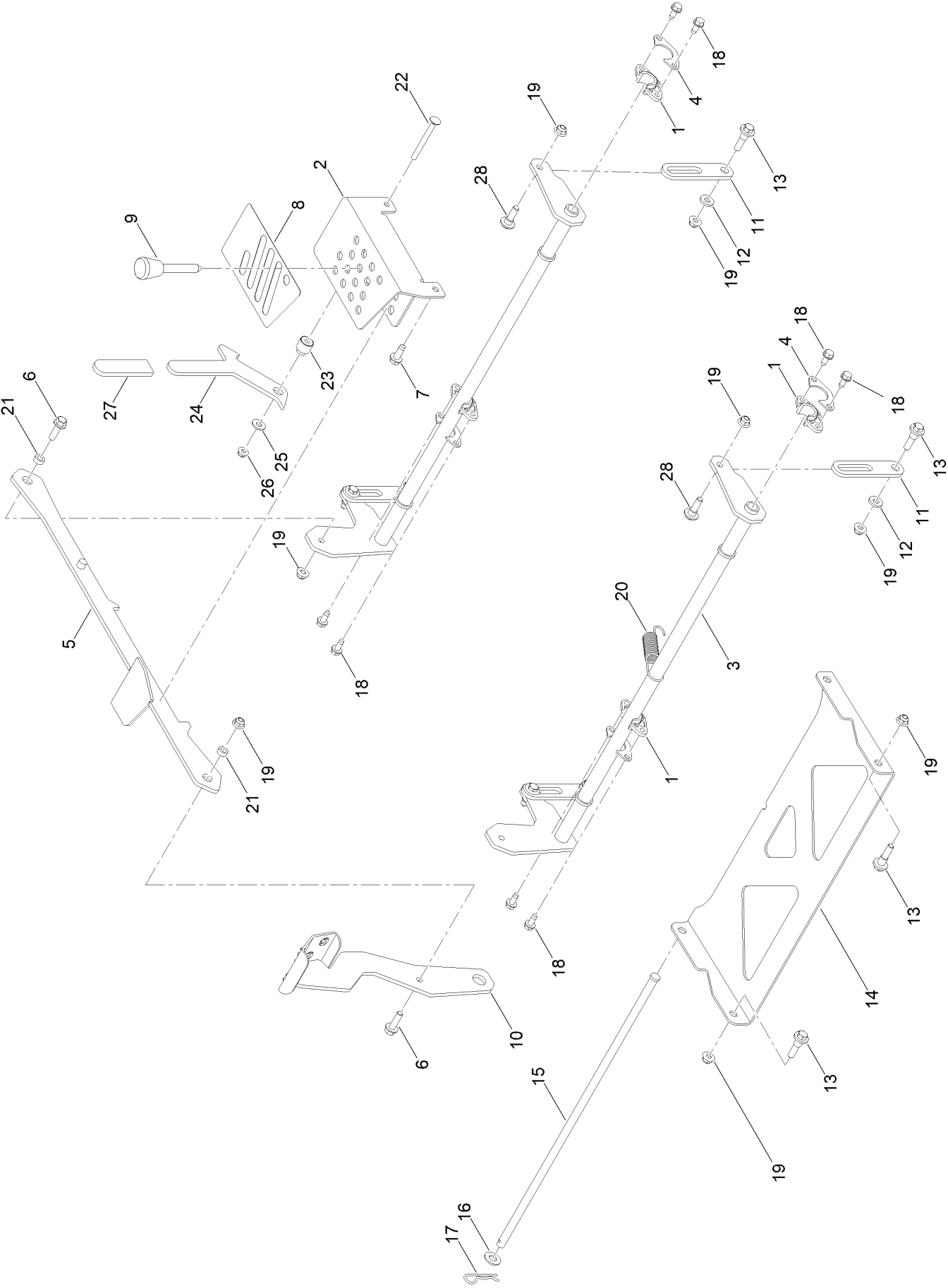


RH Upper Pod W/Decal Assembly No. 148-0280 (continued)

<i>Ref.</i>	<i>Part Number</i>	<i>Qty.</i>	<i>Description</i>	<i>Ref.</i>	<i>Part Number</i>	<i>Qty.</i>	<i>Description</i>
1		1	Pod-Upper, RH ●	3	148-0314	1	Decal-Control, RH
2	107069	1	Clip	4	148-0423	4	Clip

● Not serviced separately

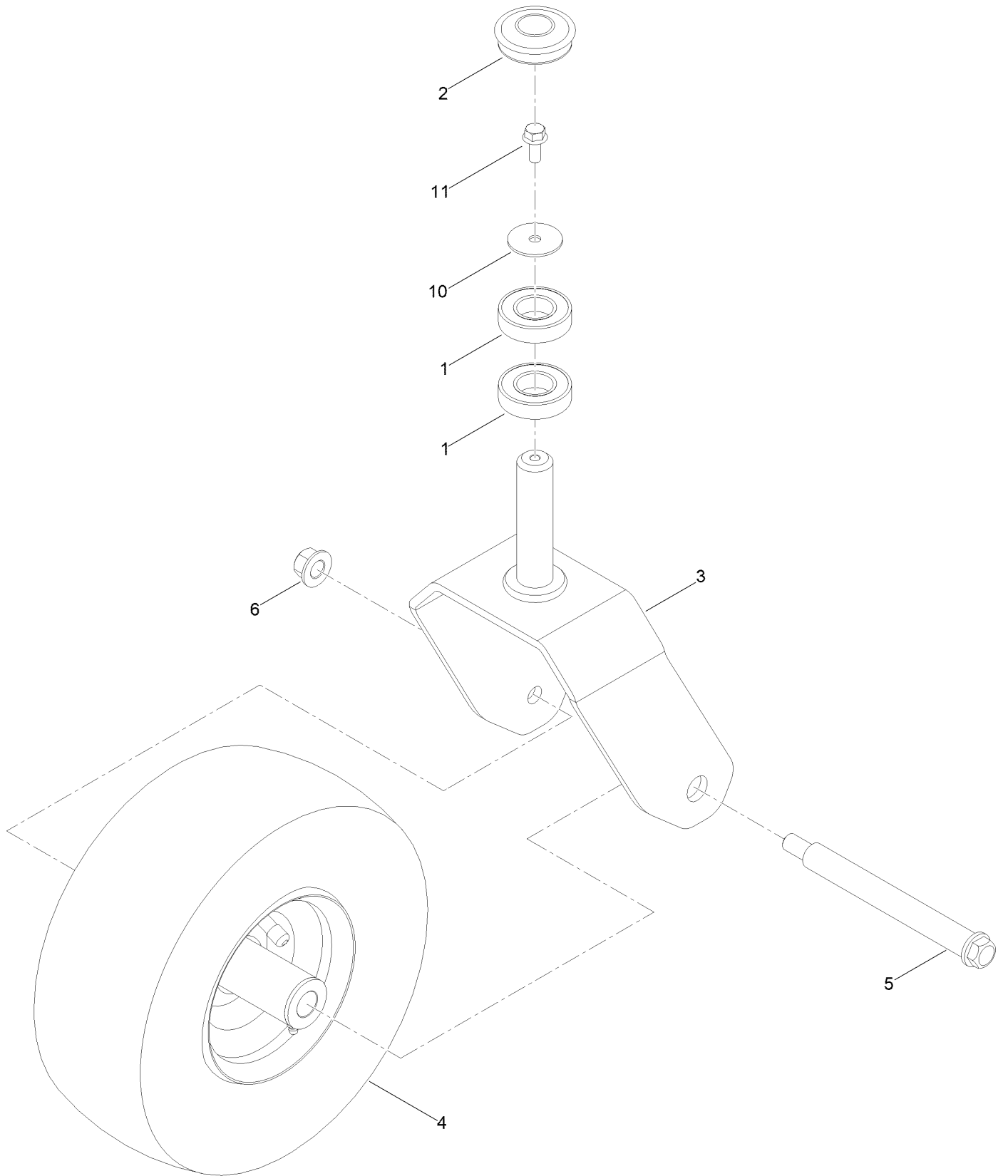
Decklift Assembly



Decklift Assembly (continued)

<i>Ref.</i>	<i>Part Number</i>	<i>Qty.</i>	<i>Description</i>	<i>Ref.</i>	<i>Part Number</i>	<i>Qty.</i>	<i>Description</i>
1	139-5872	4	Bearing-Flange	15	145-6288	1	Pin-Deck
2	145-6260-P11	1	Bracket-HOC	16	139-2611	1	Washer-Flat
3	161-4632-P11	2	Pivot	17	139-2562	1	Pin-Hair
4	138-7204	4	Gusset-Deck Lift	18	32144-70	8	Screw-HWHTF
5	145-6262-P11	1	Link-HOC	19	119-4042	12	Nut-HF, NI
6	119-4061	2	Screw-HHF	20	138-7206	1	Spring-Extension
7	139-2428	1	Screw-HWH	21	140-2093	2	Spacer
8	148-0432	1	Decal-HOC	22	138-0741	1	Screw-CARR
9	140-2146	1	HOC Pin ASM	23	145-6282	1	Spacer-Stepped
10	145-6278-P11	1	Pedal	24	145-6279	1	Plate-Transport Lock
11	148-0463-P11	4	Link-HOC	25	137-3082	1	Washer-Plain
12	138-7207	4	Spacer-Hub, Blower	26	119-4041	1	Nut-HF
13	130-0742	6	Bolt-Shoulder	27	140-0413	1	Grip-Handle
14	145-6248-03	1	Pan-Deck Pivot	28	614672	4	Screw-Shoulder, HWH

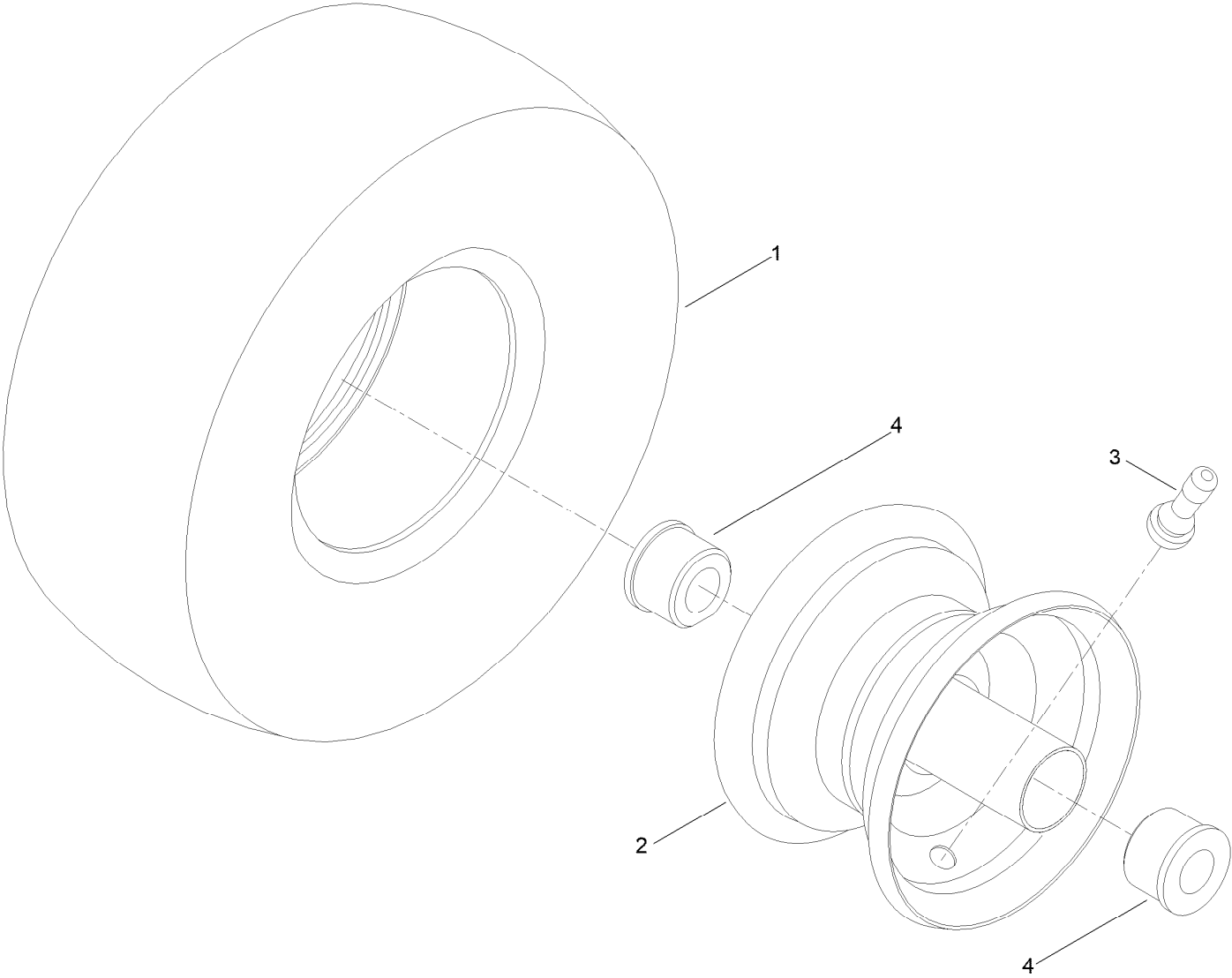
Caster Wheel Assembly



Caster Wheel Assembly (continued)

<i>Ref.</i>	<i>Part Number</i>	<i>Qty.</i>	<i>Description</i>	<i>Ref.</i>	<i>Part Number</i>	<i>Qty.</i>	<i>Description</i>
1	109-3678	4	Bearing-Ball	5	145-4649	2	Screw-Shoulder HHF
2	144-0375	2	Cap, Grease	6	99-5107	2	Nut-HF Nylock
3	145-4674-P11	2	Fork	10	115-1151	2	Washer-Flat
4	145-4692	2	Wheel ASM - Caster 12X6-5	11	100-1668	2	Screw-HHF

Wheel Assembly No. 145-4692

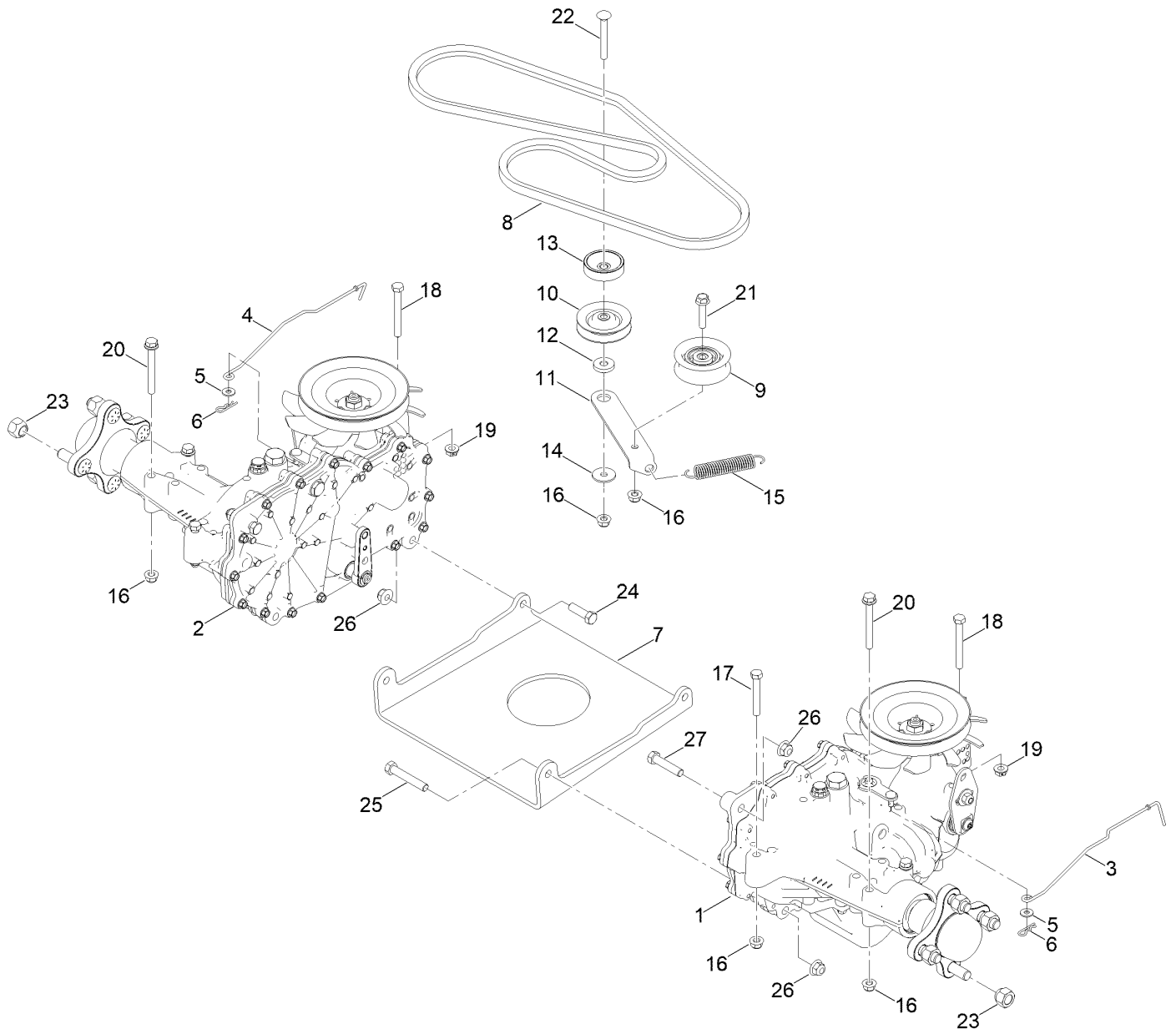


Wheel Assembly No. 145-4692 (continued)

<i>Ref.</i>	<i>Part Number</i>	<i>Qty.</i>	<i>Description</i>
1	145-4672	1	Tire 12X6-5
2	145-4673	1	Wheel (W/ Zerk And Bushings)

<i>Ref.</i>	<i>Part Number</i>	<i>Qty.</i>	<i>Description</i>
3	232-27	1	Stem-Valve
4	114-1640	2	Bushing-Flange

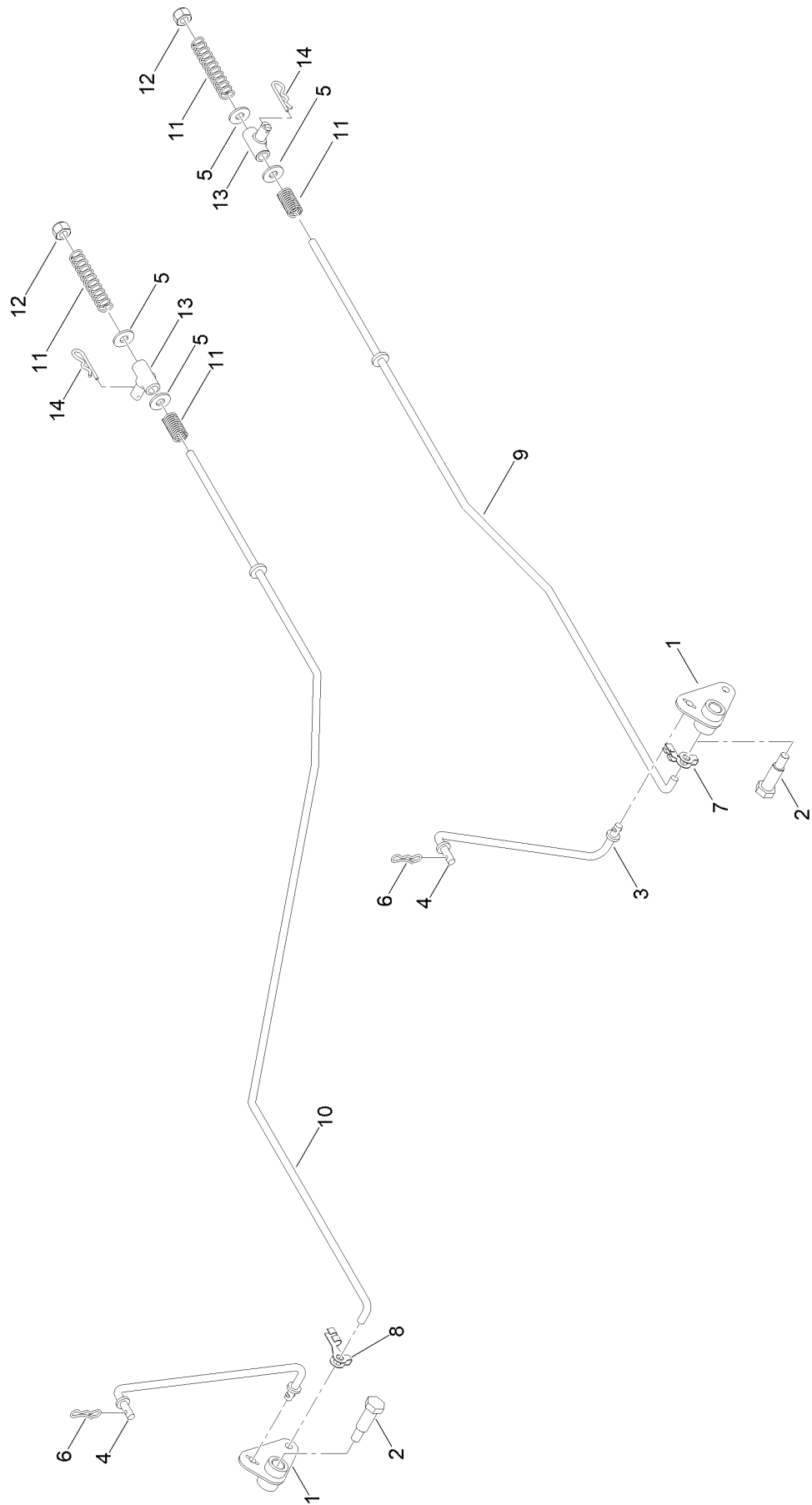
Traction Control Assembly



Traction Control Assembly (continued)

<i>Ref.</i>	<i>Part Number</i>	<i>Qty.</i>	<i>Description</i>	<i>Ref.</i>	<i>Part Number</i>	<i>Qty.</i>	<i>Description</i>
1	163-3131	1	LH Hydro Transaxle ASM	15	137-7040	1	Spring-Return, Pedal
2	163-3132	1	RH Hydro Transaxle ASM	16	104-8300	8	Nut-HF, NI
3	147-2987	1	Rod-Bypass, LH	17	322-11	2	Screw-HH
4	147-2986	1	Rod-Bypass, RH	18	145-6388	2	Screw-HH Spcl
5	119-8952	2	Washer-Spcl	19	139-2574	2	Nut-HF
6	3290-307	2	Pin-Cotter	20	138-7590	4	Screw-HHF
7	161-9754-03	1	Plate-Hydro	21	115-1794	1	Screw-HHF
8	145-6361	1	V-Belt (A Sec 63.8 EI)	22	3230-8	1	Screw-CARR
9	138-7597	1	Pulley-Idler, Flat	23	139-2564	8	Nut-Lug
10	68-0030	1	Idler	24	323-7	2	Screw-HH
11	147-2925	1	Arm-Idler	25	323-11	2	Screw-HH
12	138-7277	1	Spacer-Arm, Idler	26	104-8301	6	Nut-HF, NI
13	138-9809	1	Spacer	27	323-9	2	Screw-HH
14	5-4460	1	Washer-Pivot				

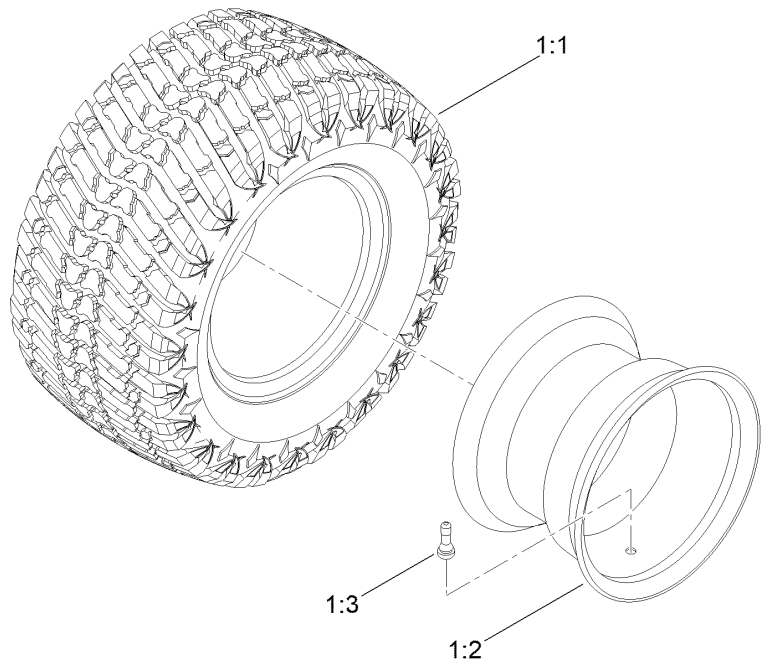
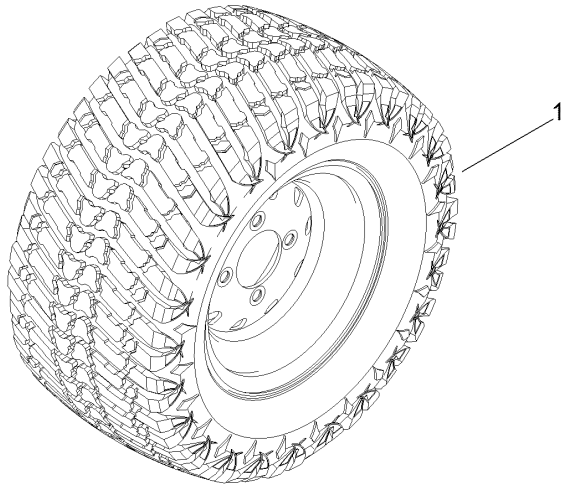
Brake Assembly



Brake Assembly (continued)

<i>Ref.</i>	<i>Part Number</i>	<i>Qty.</i>	<i>Description</i>	<i>Ref.</i>	<i>Part Number</i>	<i>Qty.</i>	<i>Description</i>
1	161-6420	2	Bellcrank	8	144-1815	1	Clip-Rod, RH (7R, 1/4In)
2	145-6364	2	Bolt-Shoulder	9	145-6372	1	Rod-Brake LH
3	145-4607	1	Link-Brake, LH	10	145-6371	1	Rod-Brake, RH
4	145-6238	1	Link-Brake, RH	11	121-5654	4	Spring-Compression
5	119-8952	4	Washer-Spcl	12	3296-42	2	Nut-Lock, NI
6	119-1414	2	Pin-Cotter, Locking	13	161-6635	2	Mount-Pivot
7	144-1816	1	Clip-Rod, LH (7L, 1/4In)	14	3290-307	2	Pin-Cotter

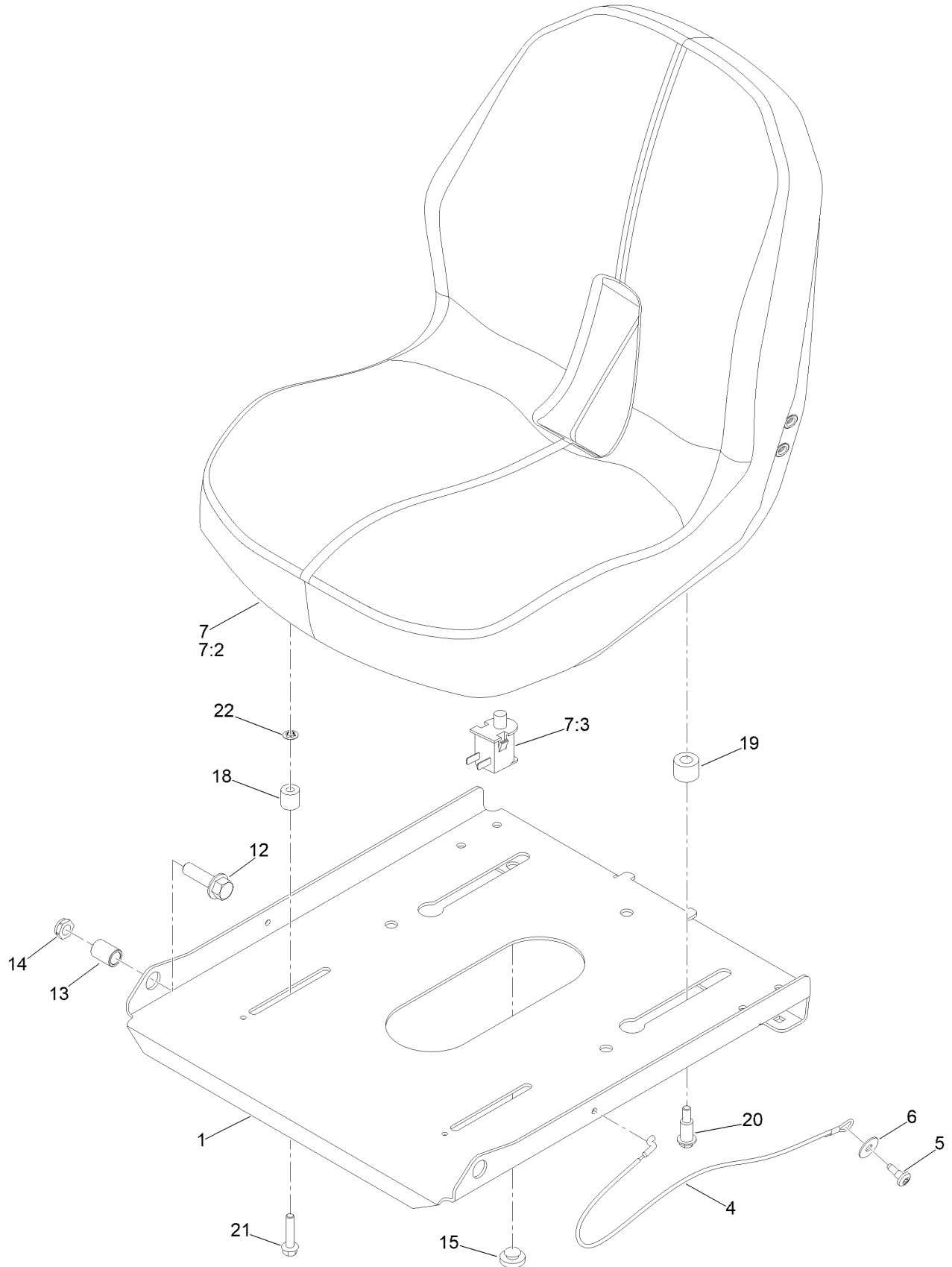
Rear Tire Assembly



Rear Tire Assembly (continued)

<i>Ref.</i>	<i>Part Number</i>	<i>Qty.</i>	<i>Description</i>	<i>Ref.</i>	<i>Part Number</i>	<i>Qty.</i>	<i>Description</i>
1	148-0891	2	Tire ASM	1:2	422-0050-00	1	Rim
1:1	422-0056-00	1	Tire	1:3	232-27	1	Stem-Valve

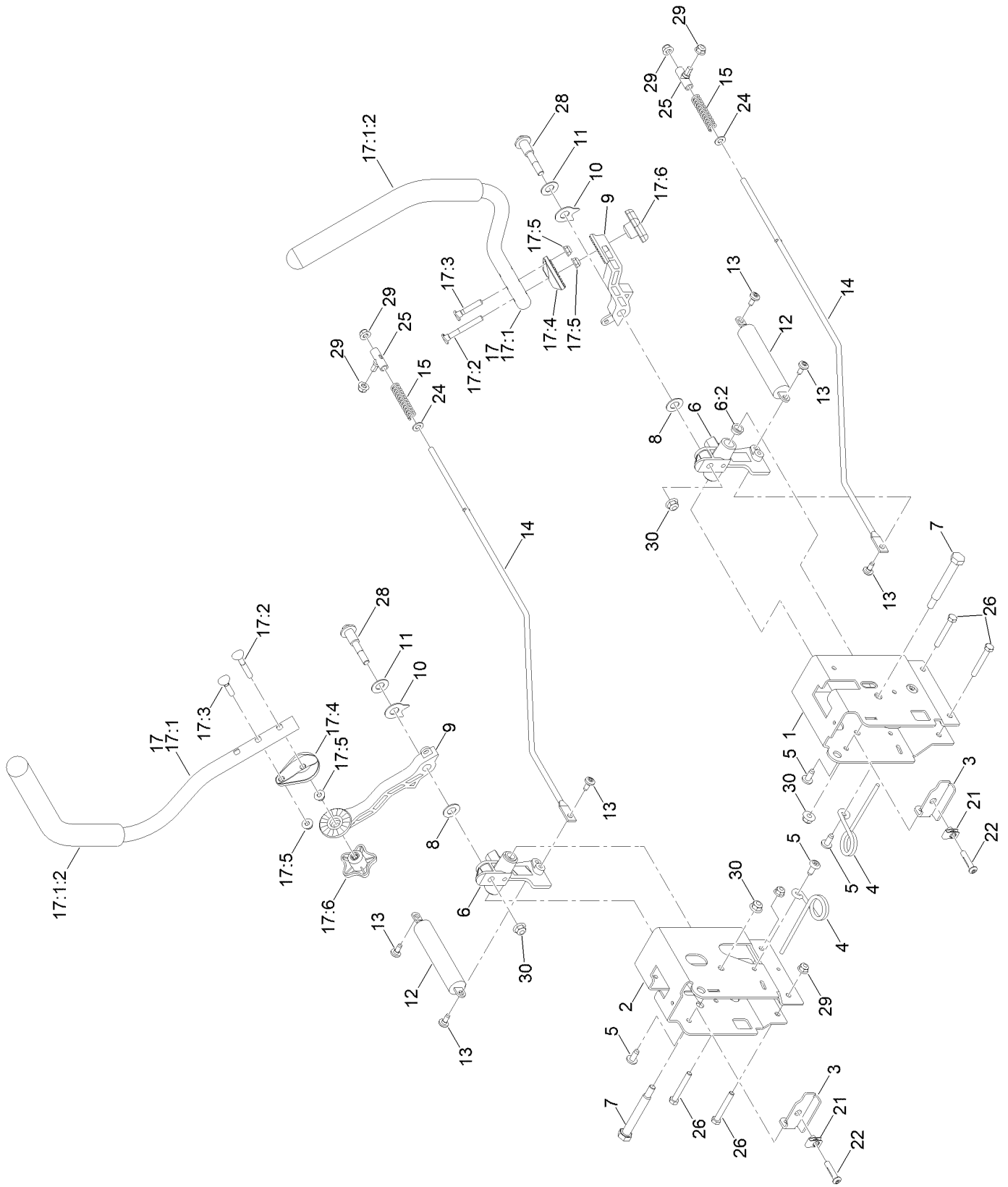
Seat Pan Assembly



Seat Pan Assembly (continued)

<i>Ref.</i>	<i>Part Number</i>	<i>Qty.</i>	<i>Description</i>	<i>Ref.</i>	<i>Part Number</i>	<i>Qty.</i>	<i>Description</i>
1	163-3158-P11	1	Pan-Seat, Lowered	13	161-9735	2	Bushing-Pivot, Seat
4	139-2398	1	Cable-Lanyard	14	3296-45	2	Nut-Hex
5	135-2015	1	Screw-Shoulder	15	135-0505	2	Bumper-Seat
6	147-5287	1	Washer-Flat	18	148-1424	2	Spacer, Seat
7	163-3105	1	Seat-Shield HD	19	148-1425	2	Spacer, Seat
7:2	82-2190	1	Switch-Bail	20	136-7192	2	Bolt-Shoulder, HHF
7:3	163-3139	1	Cover-Seat	21	140-5024	2	Screw-HHF
12	130-6481	2	Screw-HHF	22	109-5667	2	Nut-Push

Motion Control Assembly

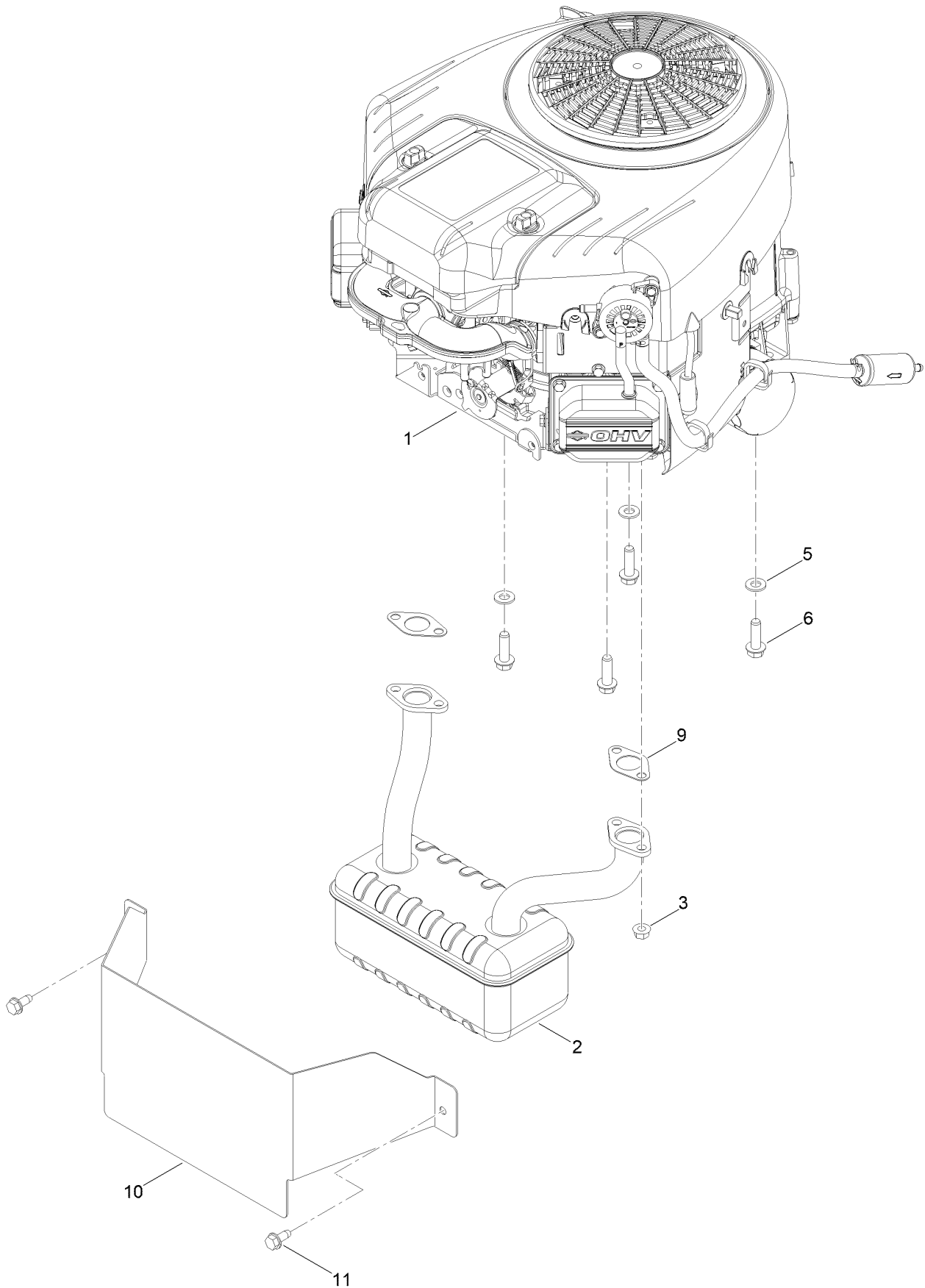


Motion Control Assembly (continued)

<i>Ref.</i>	<i>Part Number</i>	<i>Qty.</i>	<i>Description</i>	<i>Ref.</i>	<i>Part Number</i>	<i>Qty.</i>	<i>Description</i>
1	163-5941-03	1	Control Box - LH	17	161-6526	2	Control Handle ASM
2	163-5942-03	1	Control Box - RH	17:1		1	Handle-Control ●
3	163-3189	2	Adjustment Plate-Control Box	17:1:2	147-3029	1	Grip
4	145-6253	2	Spring-Torsion	17:2	145-6366	1	Screw-Handle
5	138-9753	4	Screw	17:3	137-3008	1	Screw-Handle
6	145-4648	2	Pivot Arm ASM	17:4	147-5192-05	1	Disc-Adjustment Handle, 32 Teeth
6:2	256-156	2	Bushing-Flange	17:5	138-8401	2	Nut-HF
7	115-5099	2	Bolt-Pivot	17:6	117-5976	1	Knob-Handle
8	120-2273	2	Washer-Flat	21	112-3306	2	Nut
9	147-5191-05	2	Arm-Control, 32 Teeth	22	126-4299	2	Screw-HSBH
10	142-8478	2	Spacer, Anti-Rotation	24	120-9683	2	Washer-Plain
11	119-8925	2	Washer-Belleville	25	138-7218	2	Mount-Rod, Hydro
12	161-6514	2	Damper - Non Cavitating	26	322-11	4	Screw-HH
13	120-7950	6	Screw-Torx	28	117-1198	2	Bolt-Pivot
14	145-4699	2	Rod - Hydro, LH	29	119-4041	8	Nut-HF
15	138-7252	2	Spring-Compression	30	119-4042	4	Nut-HF, NI

● Not serviced separately

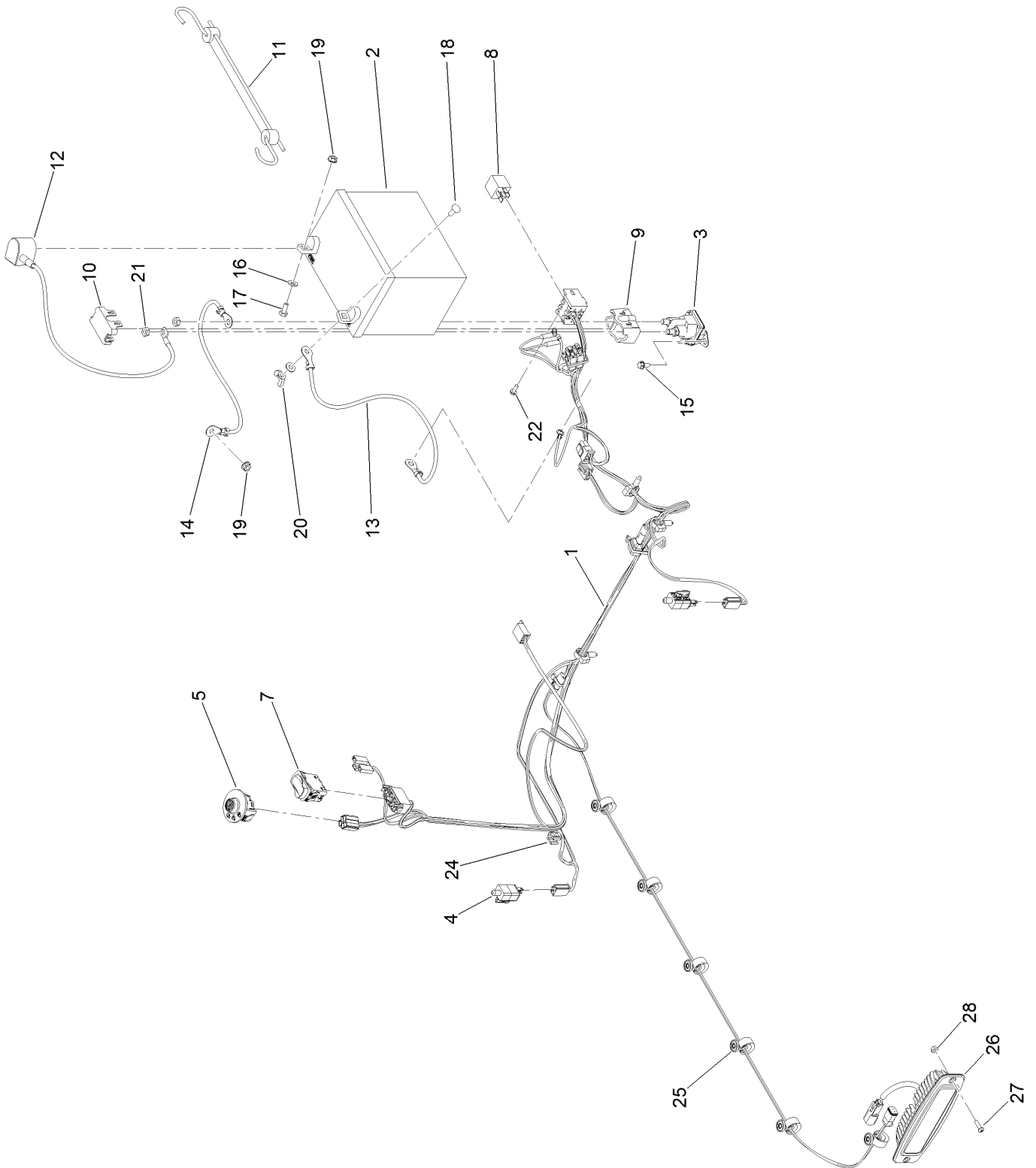
Engine and Muffler Assembly



Engine and Muffler Assembly (continued)

<i>Ref.</i>	<i>Part Number</i>	<i>Qty.</i>	<i>Description</i>	<i>Ref.</i>	<i>Part Number</i>	<i>Qty.</i>	<i>Description</i>
1	163-8023	1	Engine - B&s Exi	9	147-5158	2	Gasket-Exhaust, Briggs Twin
2	161-6646	1	Muffler	10	161-6649-03	1	Heat Shield - Muffler
3	33004-00	4	Nut-HF	11	32144-70	2	Screw-HWHTF
5	115-1166	3	Washer-Plain				
6	139-2576	4	Screw-HWH				

Electrical Assembly



Electrical Assembly (continued)

<i>Ref.</i>	<i>Part Number</i>	<i>Qty.</i>	<i>Description</i>	<i>Ref.</i>	<i>Part Number</i>	<i>Qty.</i>	<i>Description</i>
1	145-6382	1	Harness-Wire, Main	15	32144-4	3	Screw-HWH
2	140-2076	1	Battery - Wet	16	3256-22	2	Washer-Flat
3	117-1197	1	Solenoid	17	321-3	1	Screw-HH
4	110-6765	2	Switch	18	3229-1	1	Screw-CARR
5	137-4100	1	Switch-Ignition	19	32128-33	2	Nut-HF
7	139-6368	1	Switch-Rocker, On-None-On	20	32103-22	1	Nut-Wing
8	1-643275	1	Relay	21	3220-2	2	Nut-Hex Jam
9	140-2080	1	Cover-Solenoid	22	139-1713	1	Screw-Thd Roll
10	140-2081	1	Cap-Solenoid	24	32180-082	1	Clip-Edge W/Tie, Perpendicular
11	104-2466	1	Holddown-Battery	25	147-8832	1	Harness-Wire. LED Lights
12	147-2941	1	Cable-Battery,Red	26	139-8089	1	Light - Flush Mount
13	119-8899	1	Cable-Battery, Black	27	104-2408	2	Screw-HSBH
14	121-0711	1	Cable-Battery, Positive	28	3296-2	2	Nut-Lock, NI

Main Wire Harness Assembly No. 145-6382

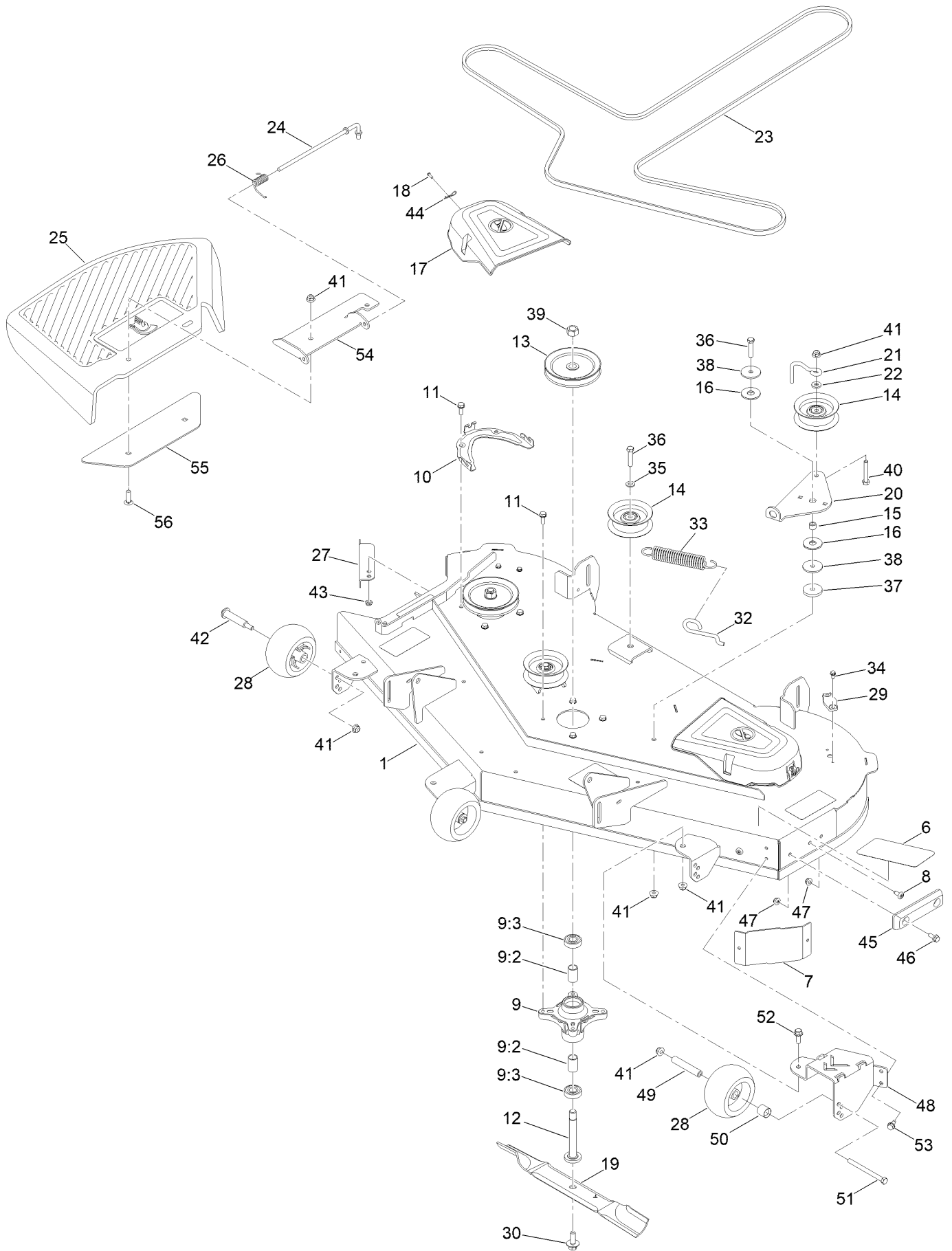


Main Wire Harness Assembly No. 145-6382 (continued)

<i>Ref.</i>	<i>Part Number</i>	<i>Qty.</i>	<i>Description</i>
7	109355	1	Fuse-Blade, 15 Amp
8	109102	1	Fuse-Blade, 25 Amp
9	32160-029	1	Connector-Molded, 1F,1M

<i>Ref.</i>	<i>Part Number</i>	<i>Qty.</i>	<i>Description</i>
10	100-4918	1	Diode
11	32180-047	3	Clip-Tubing, Harness

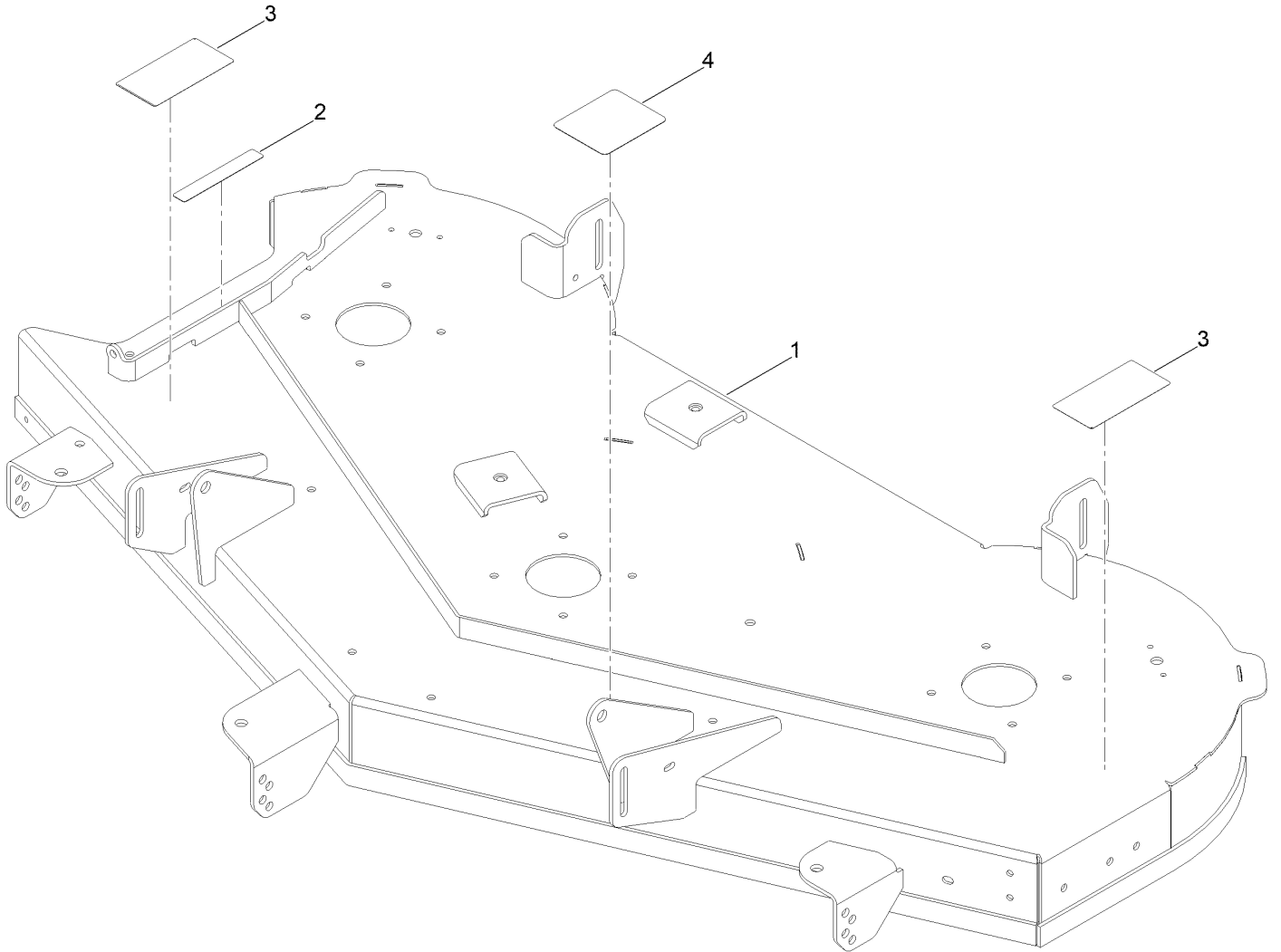
54 Inch Deck Assembly



54 Inch Deck Assembly (continued)

<i>Ref.</i>	<i>Part Number</i>	<i>Qty.</i>	<i>Description</i>	<i>Ref.</i>	<i>Part Number</i>	<i>Qty.</i>	<i>Description</i>
1	161-6439	1	54 In Deck And Decal ASM	30	145-0411	3	Bolt-Blade, Sems
6	148-0438	1	Decal-Deck 54In	32	138-7266	1	Spring-Return, Hook
7	139-2448-03	1	Baffle-Corner	33	138-7264	1	Spring-Extension
8	138-9753	2	Screw	34	32144-4	4	Screw-HWH
9	139-3214	3	Spindle ASM	35	3256-24	2	Washer-Plain
9:2	120-7935	2	Spacer	36	323-9	3	Screw-HH
9:3	138-9770	2	Bearing-Ball	37	110-9981	1	Washer-Plain
10	139-3272-03	2	Bracket-Cover, Belt	38	63-7400	2	Washer-Rebound
11	32144-41	12	Screw-Taptite	39	3219-6	3	Nut-Hex
12	117-7268	3	Shaft-Spindle	40	323-11	1	Screw-HH
13	138-7261	3	Pulley ASM	41	119-4042	8	Nut-HF, NI
14	132-9420	3	Pulley-Idler, Flat	42	112-3977	2	Bolt-Shoulder
15	115-4986	1	Spacer	43	3296-59	1	Nut-Lock, NI
16	114-0463	2	Washer-Friction, Composite	44	144-1944	2	Pin-Hair
17	144-1906	2	Cover-Belt	45	148-0117	1	Bumper-Nylon
18	94-6961	2	Screw	46	139-2593	2	Screw-HHF
19	115-2454-03	3	Blade-Hi Lift	47	3296-47	2	Nut-Lock,NI
20	138-7262	1	Arm-Idler (Mty/Wdm)	48	148-0070-P11	1	Plate-Step
21	138-7270	1	Guide-Belt, Idler	49	138-7229	1	Tube-Spanner
22	138-7207	1	Spacer-Hub, Blower	50	104-0892	1	Spacer-Axle, Rear
23	147-2910	1	Belt-V (A Sec, 145.5 EI)	51	323-23	1	Screw-HH
24	137-2019	1	Rod-Pivot	52	139-2597	1	Screw-HHF
25	148-0399	1	Deflector-Discharge	53	32144-70	2	Screw-HWHTF
26	138-7268	1	Spring-Torsion	54	161-6436-P11	1	Bracket-Discharge, Top
27	138-9800-03	1	Baffle-Cutoff	55	161-6438-P11	1	Support-Deflector
28	1-603299	3	Roller-Scalp, Anti	56	3231-28	2	Screw-CARR
29	136-4171	2	Cover-Washout Port				

Deck Decal Assembly No. 161-6439

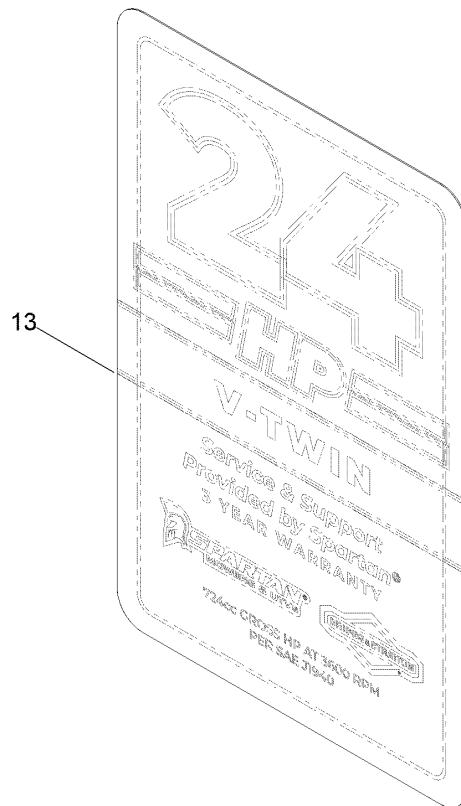
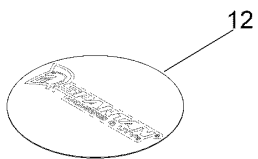
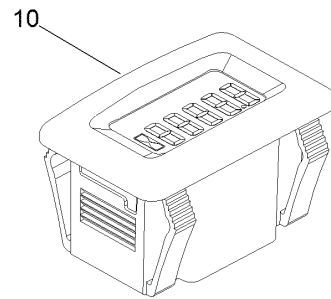
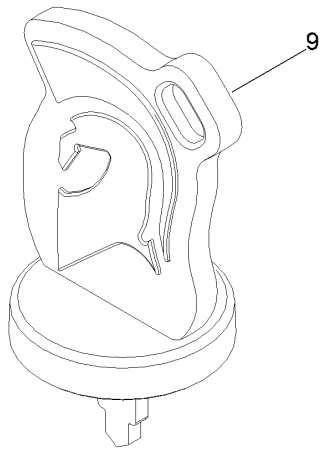
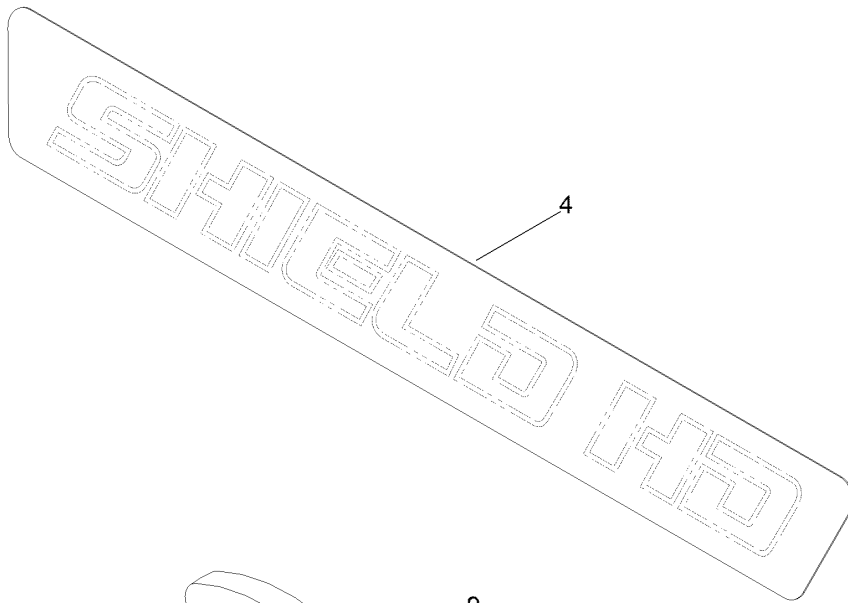


Deck Decal Assembly No. 161-6439 (continued)

<i>Ref.</i>	<i>Part Number</i>	<i>Qty.</i>	<i>Description</i>	<i>Ref.</i>	<i>Part Number</i>	<i>Qty.</i>	<i>Description</i>
1		1	Deck-54 ●	3	132-0872	2	Decal-Danger, Deck
2	130-0731	1	Decal-Danger	4	147-3025	1	Decal-Routing, Belt

● Not serviced separately

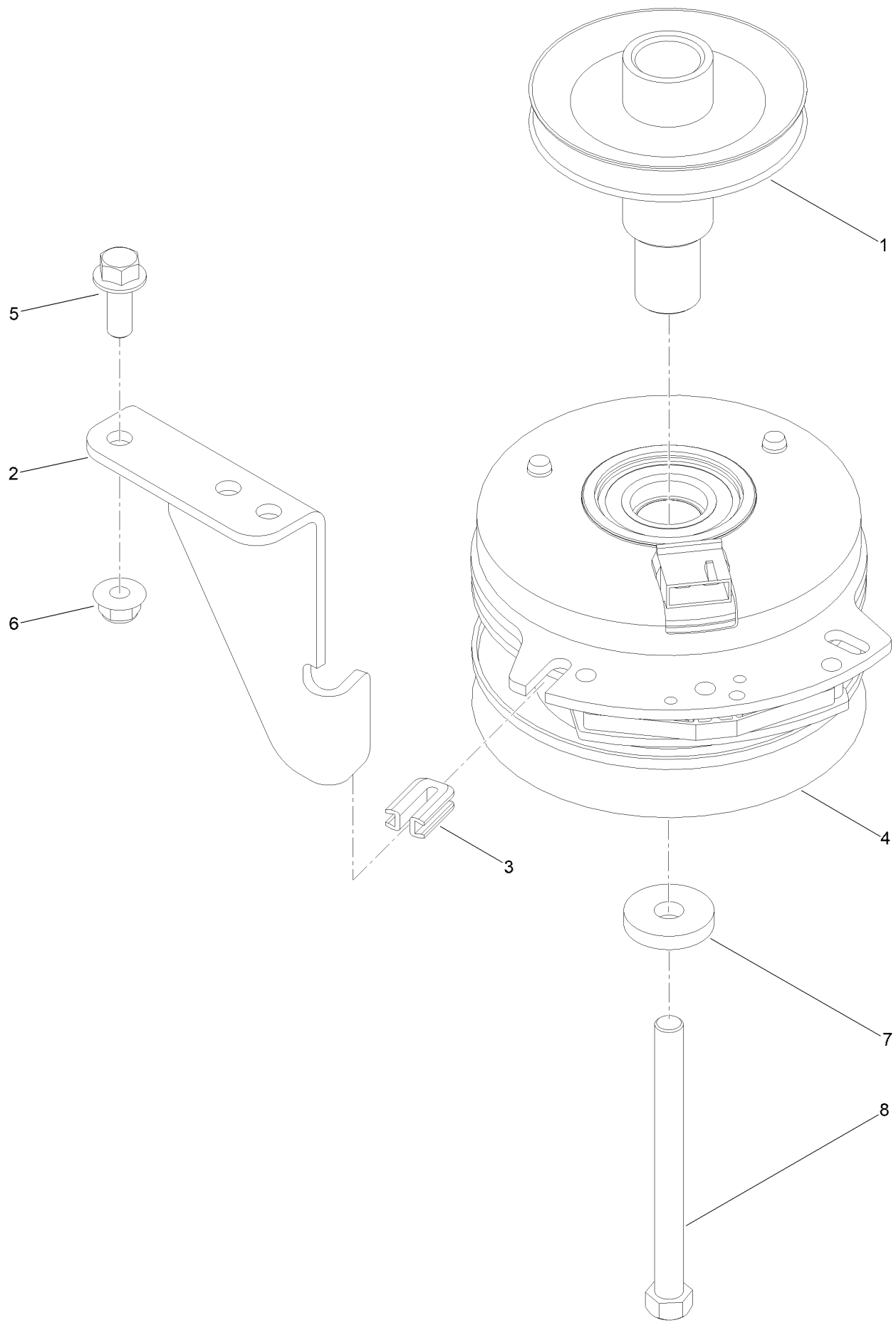
Model Specific Assembly



Model Specific Assembly (continued)

<i>Ref.</i>	<i>Part Number</i>	<i>Qty.</i>	<i>Description</i>	<i>Ref.</i>	<i>Part Number</i>	<i>Qty.</i>	<i>Description</i>
4	148-0914	1	Decal - Shield-HD, Front	12	164-0217	1	Decal-Spartan Logo
9	148-0479	1	Key-Ignition	13	164-0214	1	Decal-Spartan 24HP
10	139-6404	1	Hour Meter				

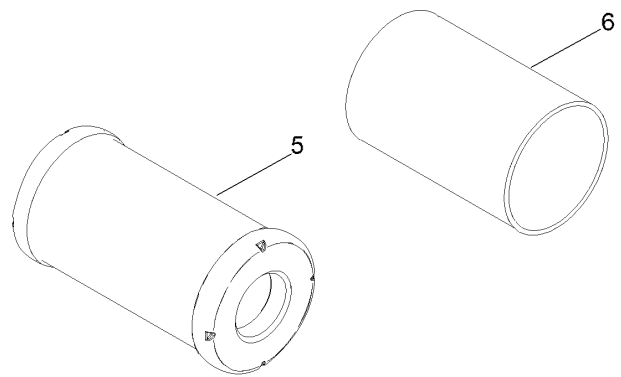
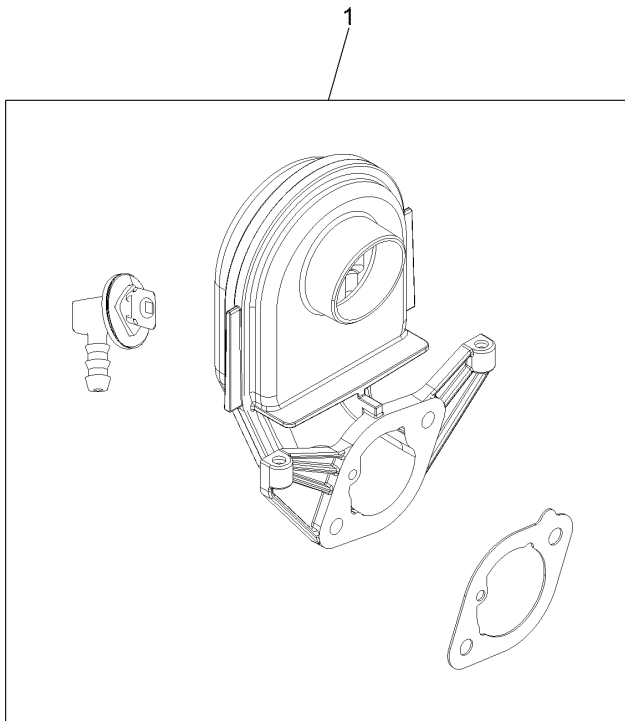
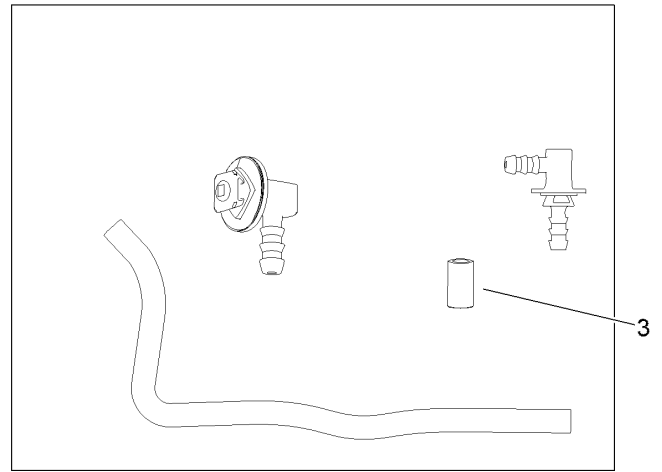
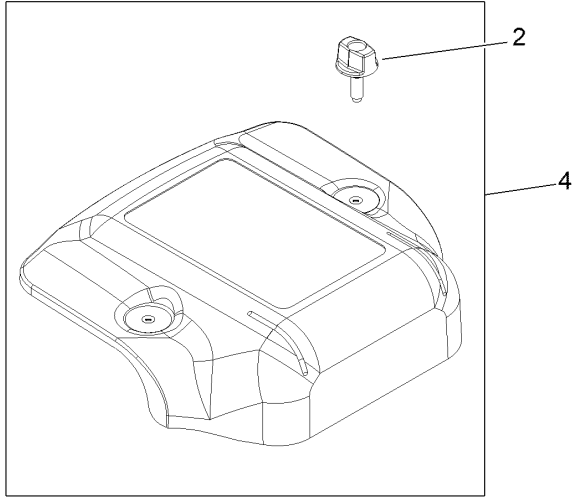
Clutch Assembly



Clutch Assembly (continued)

<i>Ref.</i>	<i>Part Number</i>	<i>Qty.</i>	<i>Description</i>	<i>Ref.</i>	<i>Part Number</i>	<i>Qty.</i>	<i>Description</i>
1	138-9792	1	Pulley-Engine	5	3234-42	1	Screw-HHF
2	137-7000	1	Stop-Clutch (Wide)	6	104-8301	1	Nut-HF, NI
3	120-2217	1	Isolator-Clutch	7	112843	1	Washer
4	127-3410	1	Clutch-PTO	8	3212-19	1	Screw-HH

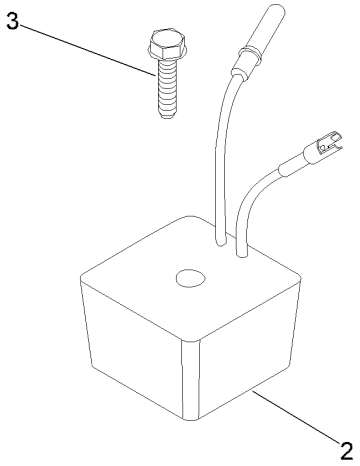
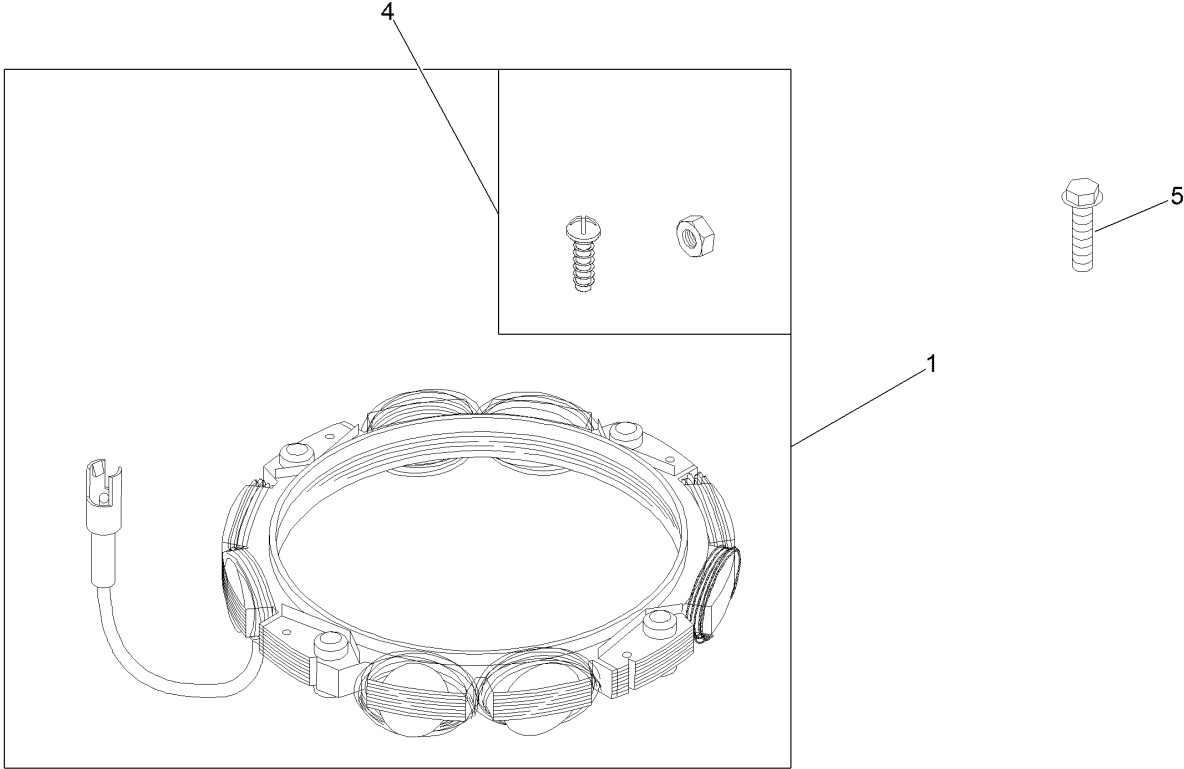
Air Assembly



Air Assembly (continued)

<i>Ref.</i>	<i>Part Number</i>	<i>Qty.</i>	<i>Description</i>	<i>Ref.</i>	<i>Part Number</i>	<i>Qty.</i>	<i>Description</i>
1	594205	1	Elbow, Intake	4	591658	1	Cover-Air Cleaner
2	591660	1	Knob-Air Cleaner Cover	5	84012892	1	Filter-A/C Cartridge
3	799159	1	Cap-Connector	6	797704-BS	1	Filter-Pre Cleaner

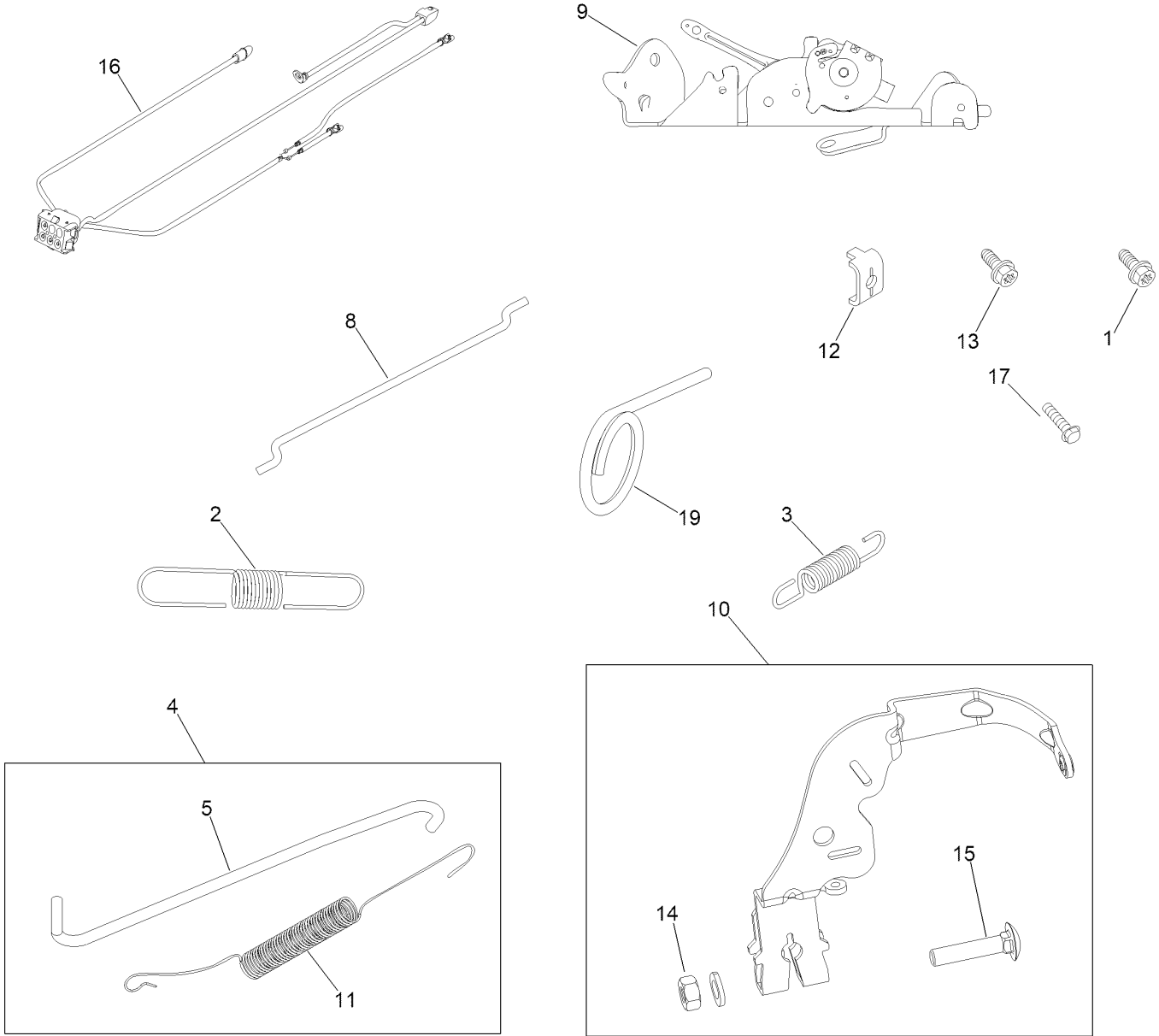
Alternator Assembly



Alternator Assembly (continued)

<i>Ref.</i>	<i>Part Number</i>	<i>Qty.</i>	<i>Description</i>	<i>Ref.</i>	<i>Part Number</i>	<i>Qty.</i>	<i>Description</i>
1	84012661	1	Alternator	4	698516	1	Screw And Washer Kit
2	794360	1	Regulator	5	691183	4	Screw
3	691129	2	Screw				

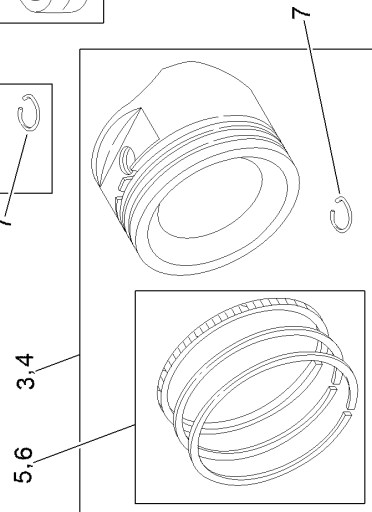
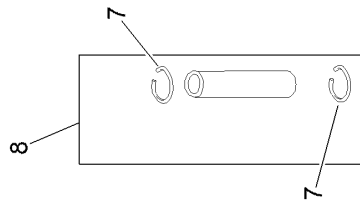
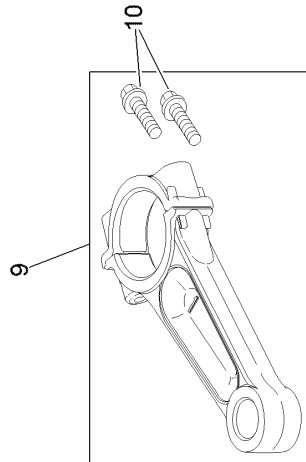
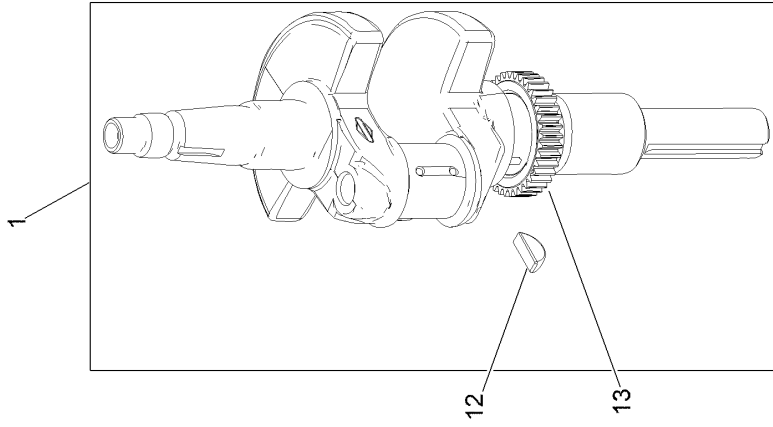
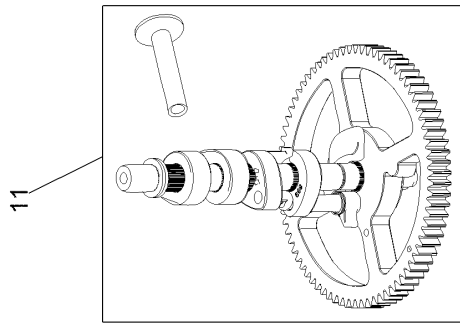
Controls Assembly



Controls Assembly (continued)

<i>Ref.</i>	<i>Part Number</i>	<i>Qty.</i>	<i>Description</i>	<i>Ref.</i>	<i>Part Number</i>	<i>Qty.</i>	<i>Description</i>
1	691108	1	Screw	11	597550	1	Spring, Governor Link
2	798921	1	Spring, Governor	12	691024	1	Clamp-Casing
3	593724	1	Spring, Governed Idle	13	792629	1	Screw
4	597778	1	Link, Throttle	14	691029	1	Nut
5	84001913	1	Link, Throttle	15	690311	1	Bolt
8	691022	1	Link-Choke	16	591392	1	Harness, Wiring
9	798916	1	Bracket, Control	17	695239	2	Screw
10	593857	1	Lever, Governor Control	19	595801-BS	1	Pin, Speed Setting

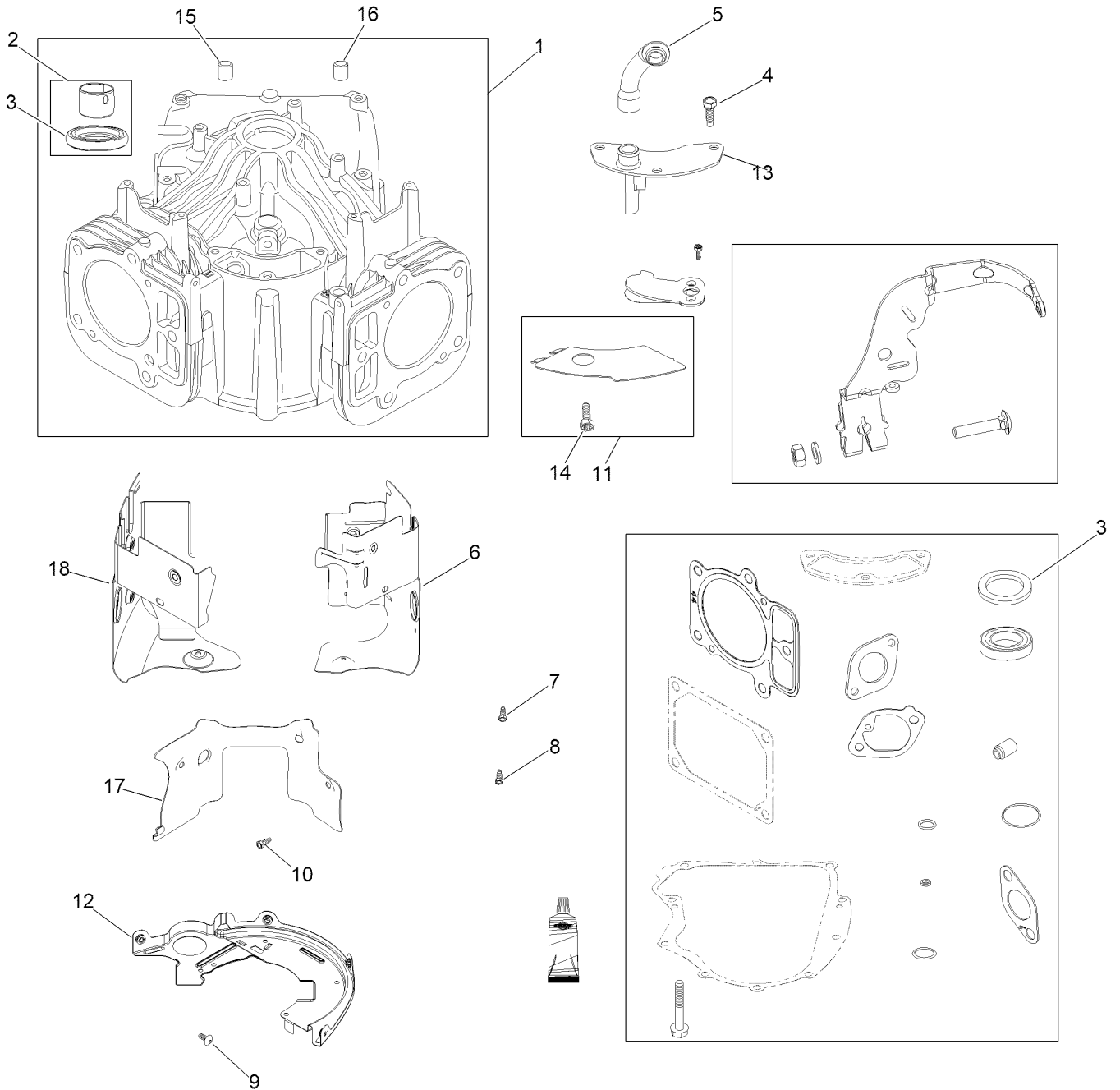
Crankshaft and Piston Assembly



Crankshaft and Piston Assembly (continued)

<i>Ref.</i>	<i>Part Number</i>	<i>Qty.</i>	<i>Description</i>	<i>Ref.</i>	<i>Part Number</i>	<i>Qty.</i>	<i>Description</i>
1	595726	1	Crankshaft	8	593650	1	Pin, Piston
2	222698s	1	Key-Flywheel	9	84007297	2	Rod, Connecting
3	793560	2	Piston Assembly	10	690976	4	Screw
4	793563	1	Piston Assembly	11	797242	1	Camshaft
5	792026	2	Ring Set (STD)	12	690979	1	Key-Timing
6	792073	1	Ring Set (.020 O S)	13	690980	1	Gear-Timing
7	690975	1	Lock-Pin, Piston				

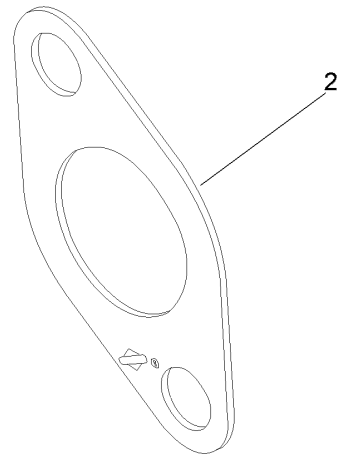
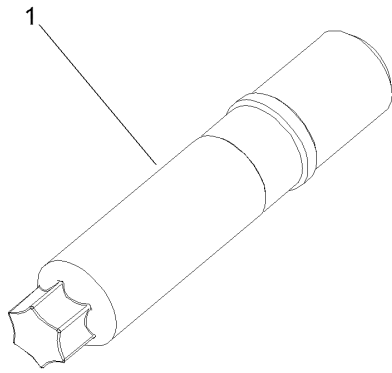
Cylinder Block Assembly



Cylinder Block Assembly (continued)

<i>Ref.</i>	<i>Part Number</i>	<i>Qty.</i>	<i>Description</i>	<i>Ref.</i>	<i>Part Number</i>	<i>Qty.</i>	<i>Description</i>
1	594970	1	Cylinder ASM	10	691003	1	Screw
2	797673	1	Bushing/Seal Kit	11	594325	1	Plate-Baffle
3	391086s	1	Seal-Oil	12	594902	1	Plate-Back
4	691108	3	Screw	13	594164	1	Cover-Breather Passage
5	594163	1	Tube, Breather	14	594326	1	Screw
6	84007347	1	Shield-Cylinder	15	690959	6	Pin-Locating
7	691003	2	Screw	16	594988	1	Pin-Locating
8	691108	3	Screw	17	591667	1	Cover-Air Guide
9	594937	4	Screw	18	84004553	1	Shield-Cylinder

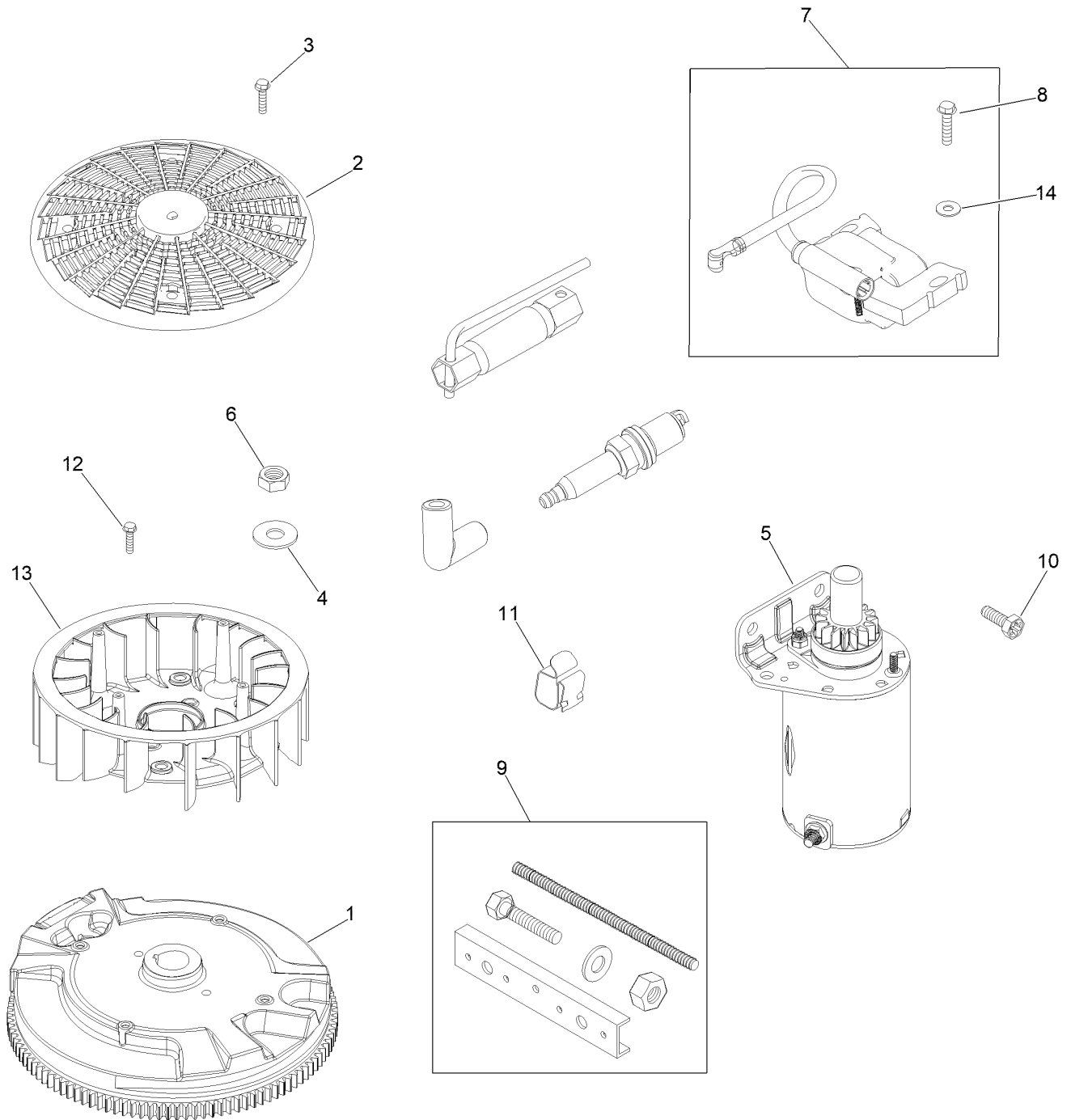
Exhaust Assembly



Exhaust Assembly (continued)

<i>Ref.</i>	<i>Part Number</i>	<i>Qty.</i>	<i>Description</i>
1	591756	4	Stud
2	690970	2	Gasket-Exhaust

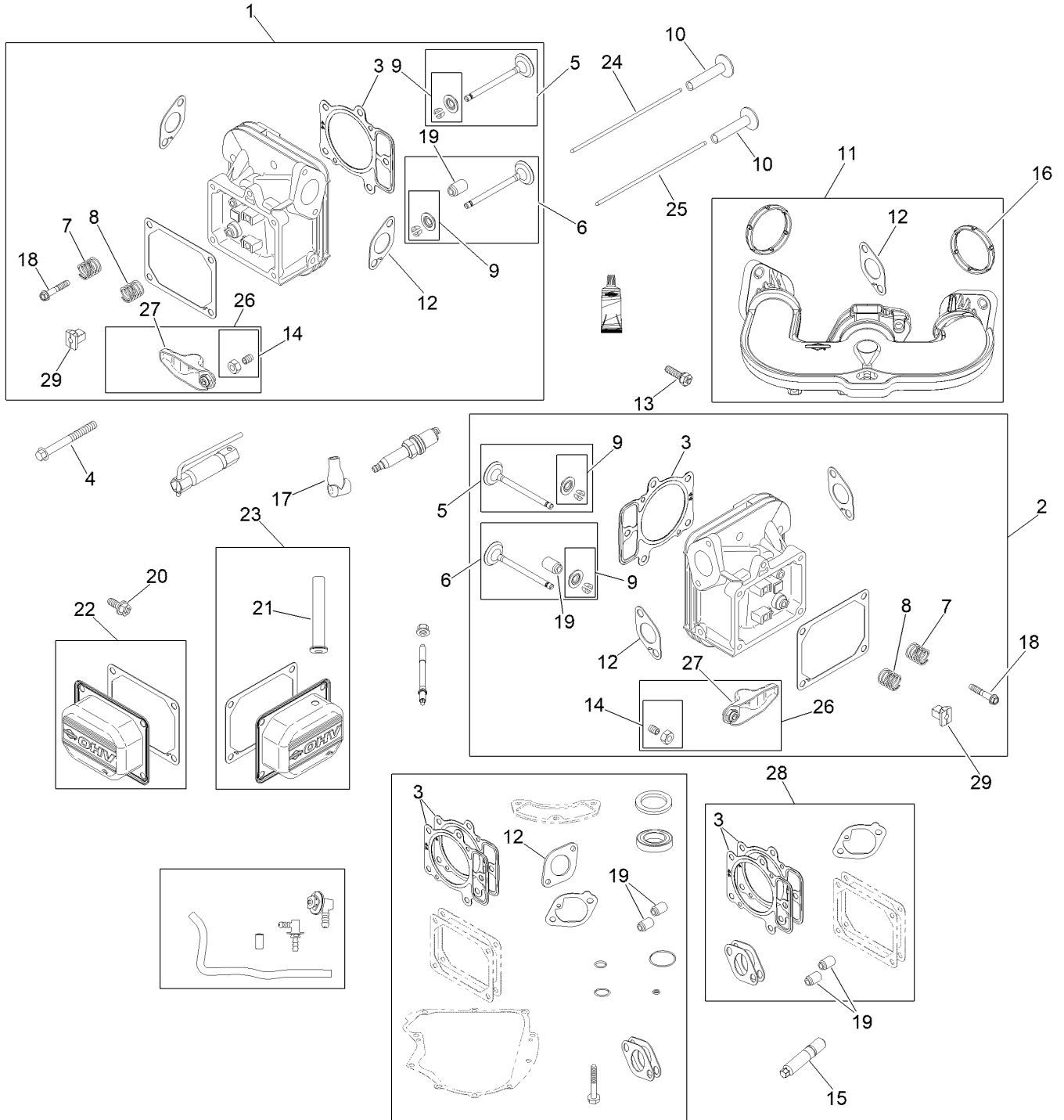
Flywheel Assembly



Flywheel Assembly (continued)

<i>Ref.</i>	<i>Part Number</i>	<i>Qty.</i>	<i>Description</i>	<i>Ref.</i>	<i>Part Number</i>	<i>Qty.</i>	<i>Description</i>
1	594169	1	Flywheel	8	691061	4	Screw
2	494439	1	Screen-Rotating	9	19621	1	Puller, Flywheel
3	698425	4	Screw	10	591909	2	Screw
4	691056	1	Washer	11	593826	1	Clip, Wire
5	590476	1	Motor-Starter	12	593638	4	Screw
6	691059	1	Nut	13	593640	1	Fan, Flywheel
7	84012885	2	Armature, Magneto	14	690272	4	Washer

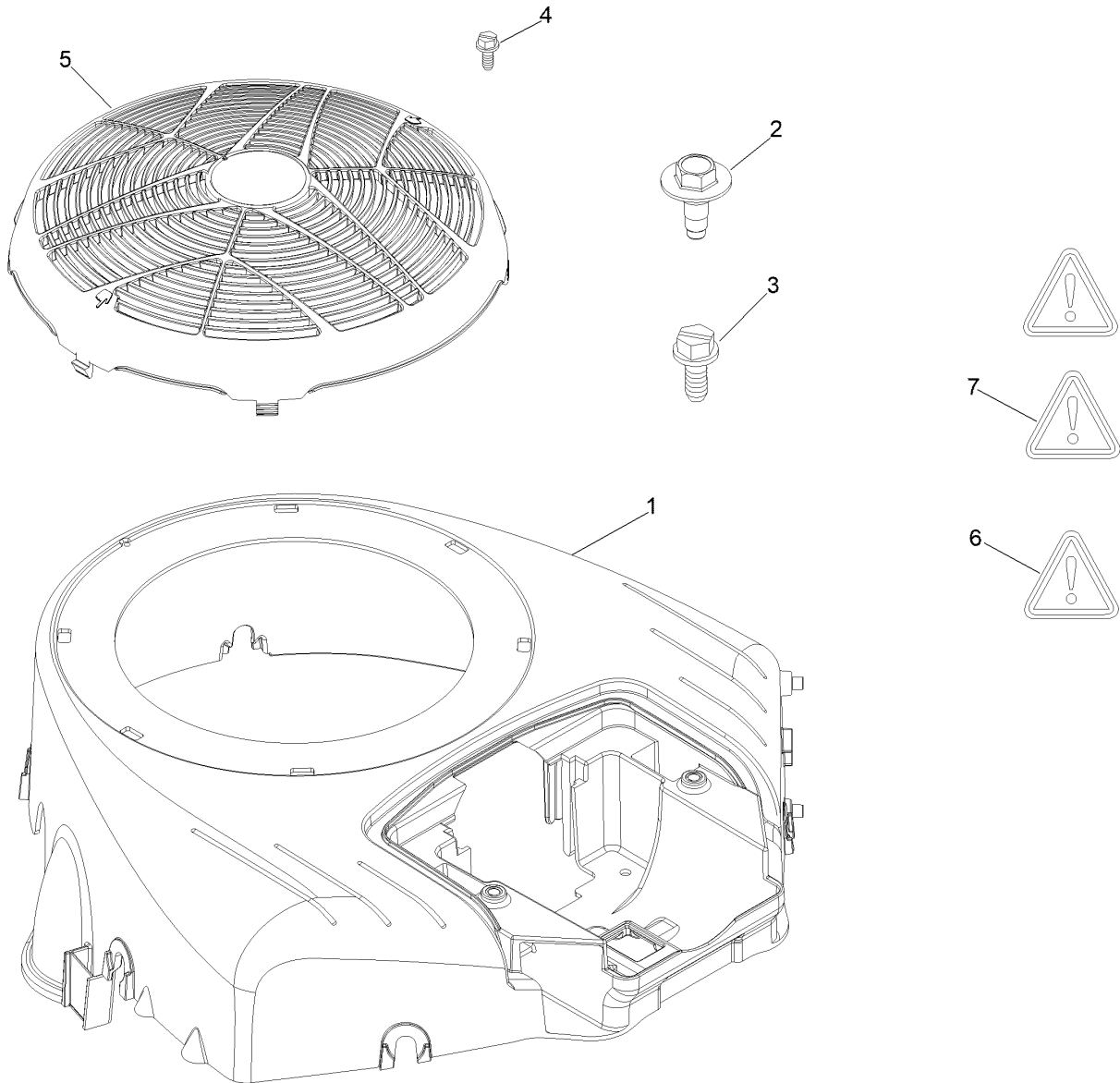
Head Exhaust Assembly



Head Exhaust Assembly (continued)

<i>Ref.</i>	<i>Part Number</i>	<i>Qty.</i>	<i>Description</i>	<i>Ref.</i>	<i>Part Number</i>	<i>Qty.</i>	<i>Description</i>
1	84001918	1	Head, Cylinder	16	594209	2	Seal, O-Ring
2	84001919	1	Head, Cylinder	17	692076	2	Boot-Spark Plug
3	693997	2	Gasket-Head, Cylinder	18	697890	4	Screw
4	592244	10	Screw-HH	19	794086	2	Seal, Valve
5	84013571	2	Valve, Exhaust	20	691127	8	Screw
6	84013572	2	Valve, Intake	21	593641	1	Hose, Vacuum
7	694865	2	Spring-Valve	22	499600	1	Cover-Arm, Rocker
8	694865	2	Spring-Valve	23	84003848	1	Cover, Rocker
9	84012308	4	Retainer Valve	24	597785	2	Rod-Push
10	690977	4	Tappet-Valve	25	690982	2	Rod-Push (Aluminum)
11	594206	1	Manifold, Intake	26	690972	4	Arm-Rocker
12	594204	1	Gasket, Intake	27	84012342	4	Arm-Rocker
13	699816	4	Screw	28	84001916	1	Valve Gasket Set
14	690083	4	Adjuster-Arm, Rocker	29	791959	4	Pivot-Arm, Rocker
15	591756	1	Stud				

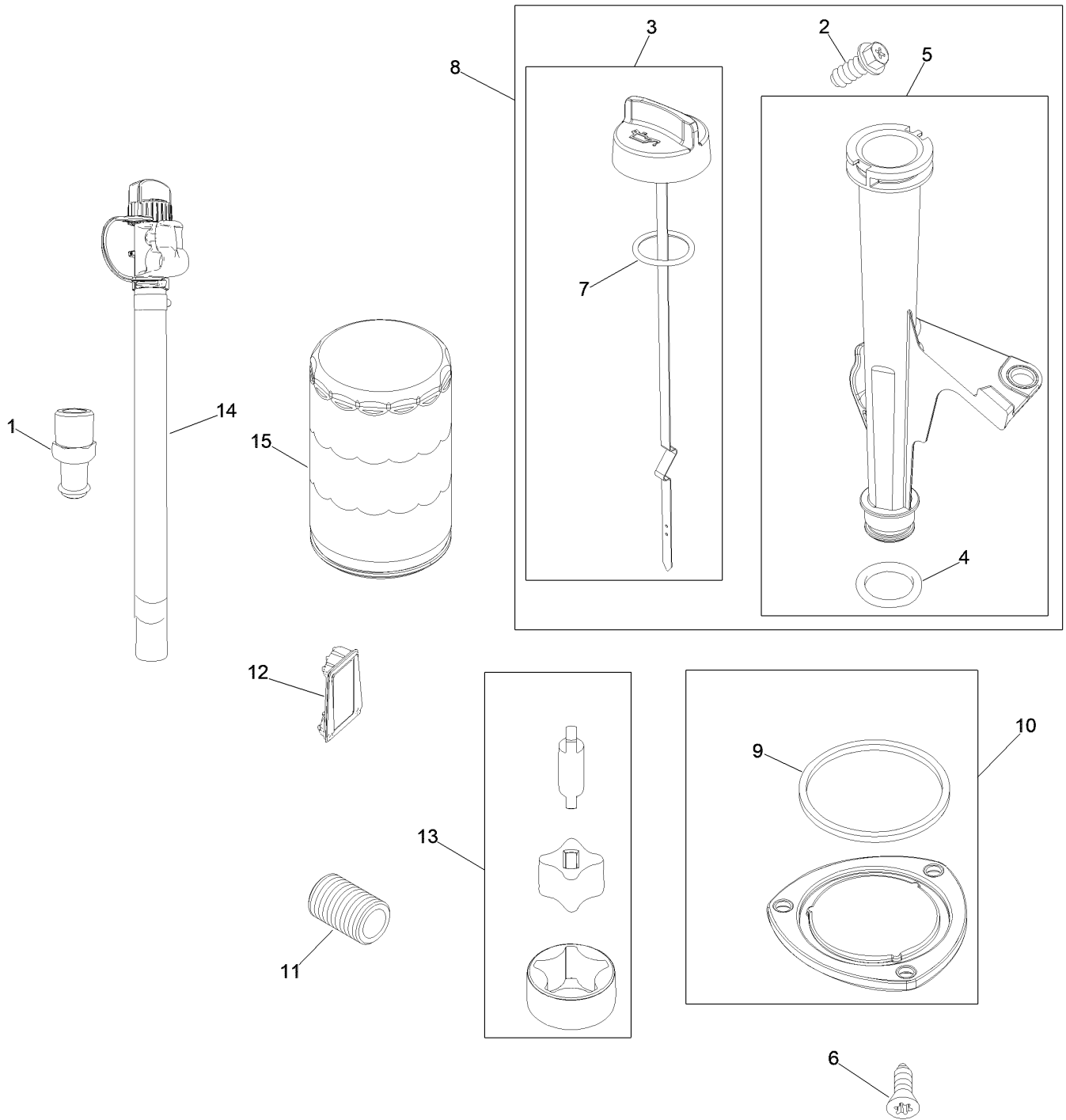
Housing Assembly



Housing Assembly (continued)

<i>Ref.</i>	<i>Part Number</i>	<i>Qty.</i>	<i>Description</i>	<i>Ref.</i>	<i>Part Number</i>	<i>Qty.</i>	<i>Description</i>
1	591656	1	Housing, Blower	5	797420YP	1	Guard, Debris Screen
2	594618	6	Screw	6	794467	1	Label, Warning
3	790690	2	Screw	7	278911GS	1	Label, Warning
4	799359	1	Screw				

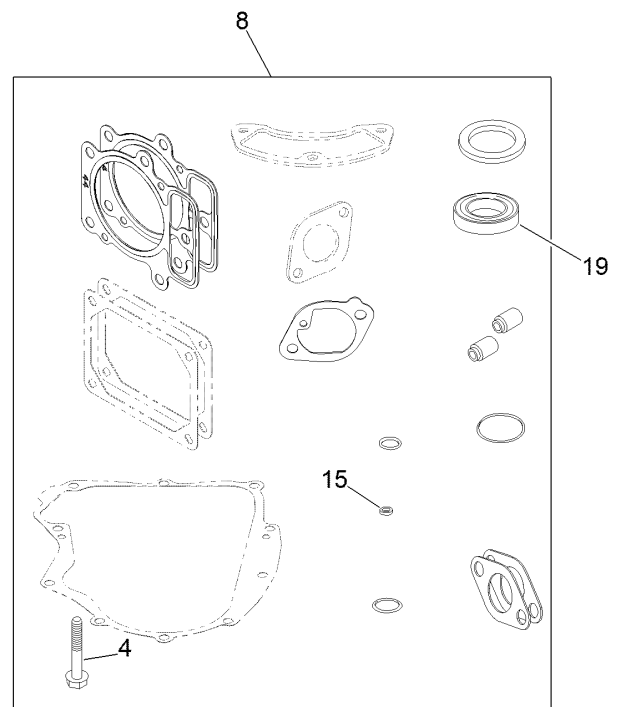
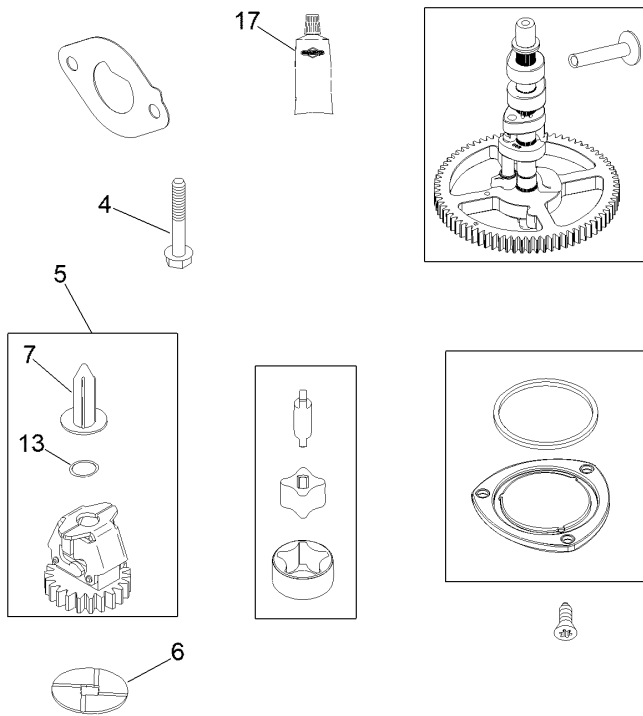
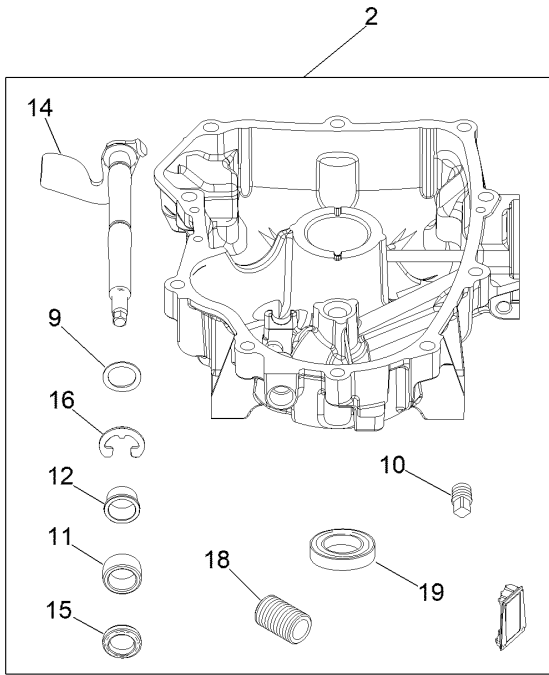
Lubrication Service Assembly



Lubrication Service Assembly (continued)

<i>Ref.</i>	<i>Part Number</i>	<i>Qty.</i>	<i>Description</i>	<i>Ref.</i>	<i>Part Number</i>	<i>Qty.</i>	<i>Description</i>
1	796532	1	Fitting-Oil Drain	9	796222	1	Seal, O-Ring
2	594937	1	Screw	10	796221	1	Cover, Oil Pump
3	594528	1	Dipstick	11	690954	1	Nipple-Filter, Oil
4	691032	1	Seal-O Ring	12	796214	1	Screen, Oil Pump
5	597129	1	Tube, Dipstick	13	796220	1	Pump, Oil
6	796208	3	Screw	14	593635	1	Oil Drain Hose ASM
7	691031	1	Seal-O Ring	15	696854	1	Filteroil
8	597130	1	Dipstick/Tube ASM				

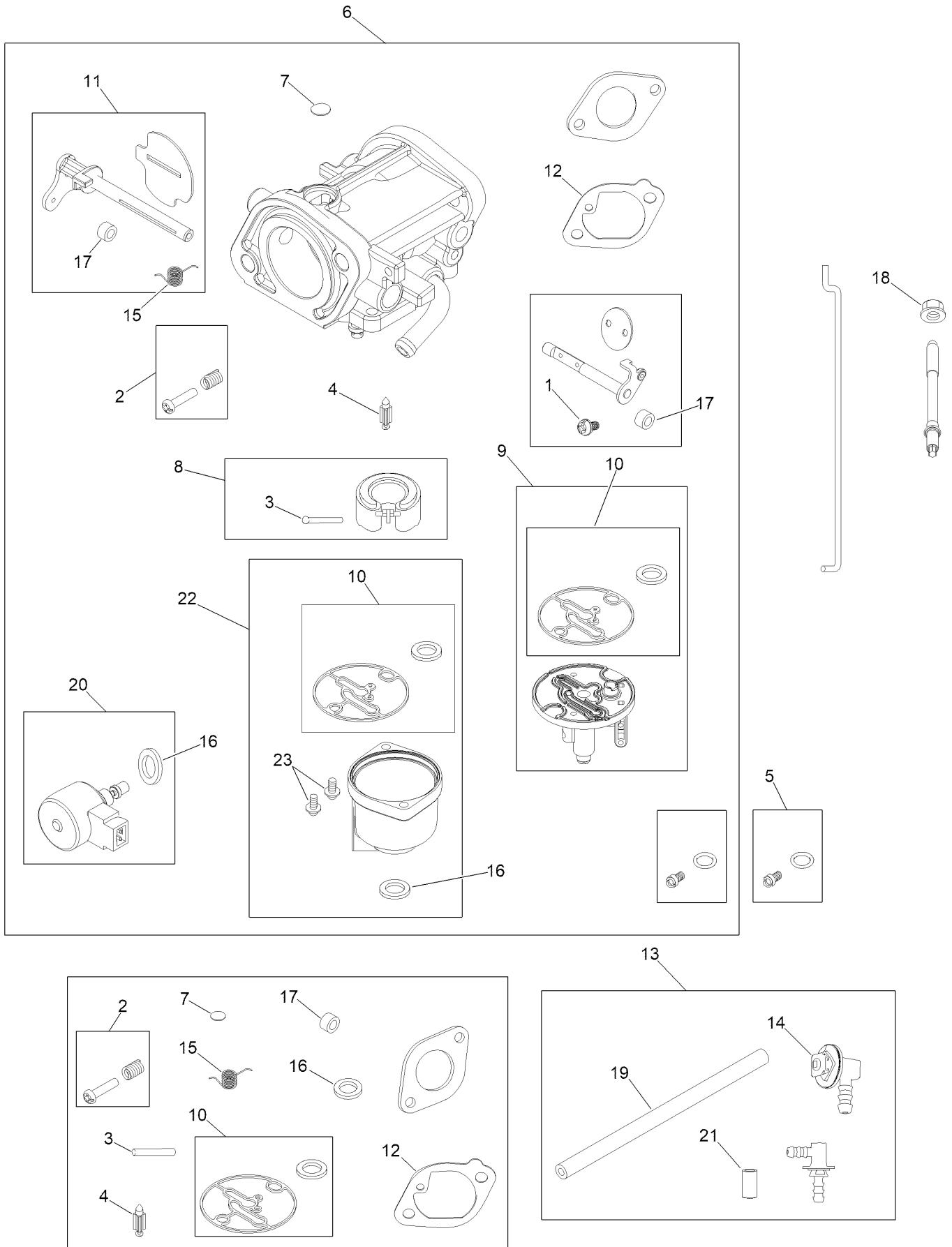
Sump Assembly



Sump Assembly (continued)

<i>Ref.</i>	<i>Part Number</i>	<i>Qty.</i>	<i>Description</i>	<i>Ref.</i>	<i>Part Number</i>	<i>Qty.</i>	<i>Description</i>
2	84007140	1	Sump-Engine (After 22051100)	11	796638	1	Bushing, Governor Crank
4	694966	10	Screw	12	690553	2	Bushing-Crank, Governor
5	793338	1	Gear-Governor	13	698290	1	Retainer-Shaft, Governor
6	799772	1	Washer	14	691045	1	Crank-Governor
7	841026	1	Cup, Governor	15	790574	1	Seal-Shaft, Governor
8	84001915	1	Engine Gasket Set	16	690328	2	Retainer-E Ring
9	690442	1	Washer	17	100106-BS	1	Sealant, Liquid
10	794903	1	Oil Drain Plug	18	690954	1	Nipple-Filter, Oil
				19	795387	1	Seal, Oil

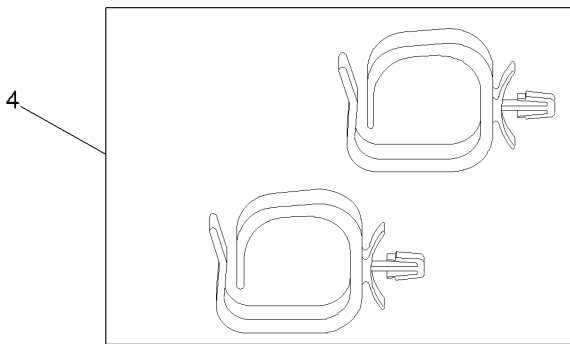
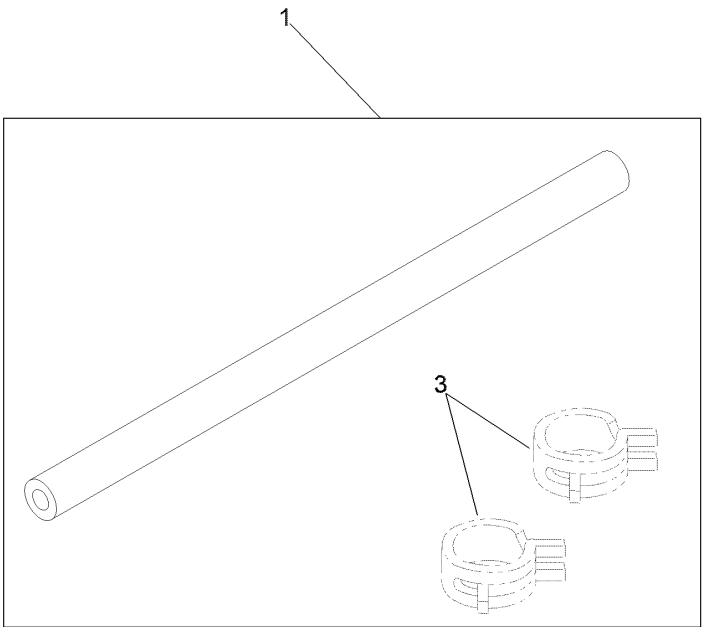
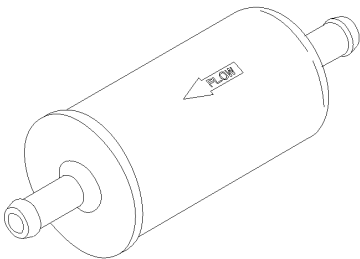
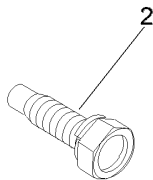
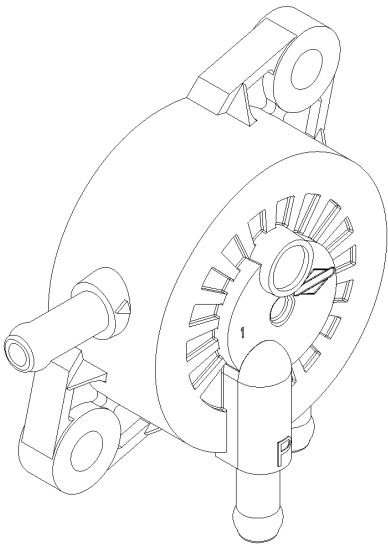
Carburetor Assembly



Carburetor Assembly (continued)

<i>Ref.</i>	<i>Part Number</i>	<i>Qty.</i>	<i>Description</i>	<i>Ref.</i>	<i>Part Number</i>	<i>Qty.</i>	<i>Description</i>
1	690718	2	Screw	13	799158	1	Connector-Hose
2	695408	1	Idle Speed Kit	14	845141	1	Connector-Hose
3	694918	1	Pin-Hinge, Float	15	799771	1	Spring, Choke Return
4	698537	1	Valve-Needle, Float	16	695410	1	Washer-Sealing
5	792296	1	Jet-Main	17	699813	1	Seal-Shaft, Throttle
6	596033	1	Carburetor	18	690958	2	Nut
7	699810	1	Plug-Welch	19	799160	1	Hose-Vacuum
8	694914	1	Carburetor Float ASM	20	596039	1	Solenoid-Fuel
9	591701	1	Tube-Fuel Transfer	21	799159	1	Cap-Connector
10	698781	1	Gasket-Bowl, Float	22	591699	1	Bowl-Float
11	594211	1	Choke Shaft Kit	23	695407	2	Screw
12	594203	1	Gasket-Intake				

Fuel Assembly



Fuel Assembly (continued)

<i>Ref.</i>	<i>Part Number</i>	<i>Qty.</i>	<i>Description</i>	<i>Ref.</i>	<i>Part Number</i>	<i>Qty.</i>	<i>Description</i>
1	791766	2	Line-Fuel	3	691038	4	Clamp-Hose
2	797409	2	Screw	4	691010	2	Clip

Attachments and Accessories

For SZSD1K54724SE — Shield HD 54in Zero Turn Riding Mower

Product Name	Model/Part
Jack Kit	127-6666
Mower Cover	148-0276
Jack Mount	148-1283
Assist Bar Kit	148-1286
Bagging Enhancement Kit	148-1288
Led Light Kit	148-1289
5in Recycler Kit	148-1293
48/54/60 Striping Kit	148-1367
Arm Pad Upgrade Kit	148-1417
Slope Sensor Kit	79489
Shield Mower Optional ROPS	SP09100
Shield 54in Bagger	SP09102

Notes:

