



SRT-XD 72in Mower

Model No. RSSXD172999KE—Serial No. 420900000 and Up

Parts Catalog



Ordering Replacement Parts

To order replacement parts, please supply the part number, the quantity, and the description of each part desired.

Understanding Reference Numbers

Each identified part in an illustration has a reference number. The reference number for a part also appears in the parts list, along with other information about the part.

This catalog uses two special reference number formats, one to indicate parts in a service assembly and another to indicate the quantity of a given part in an illustration.

Service Assembly Reference Numbers

Parts in service assemblies have reference numbers in the form a:b. The a represents the reference number of the entire service assembly and the b represents a sequential number unique to each part within the service assembly.

For example, a wheel assembly might be identified by reference number 6, the tire by 6:1, the valve by 6:2, and the wheel by 6:3. When you order the assembly identified by reference number 6, you receive all parts identified by reference numbers 6:1, 6:2, and 6:3. However, you may also order any part individually. Reference numbers of this type appear in illustration and in parts lists.

Reference Numbers Indicating Quantity

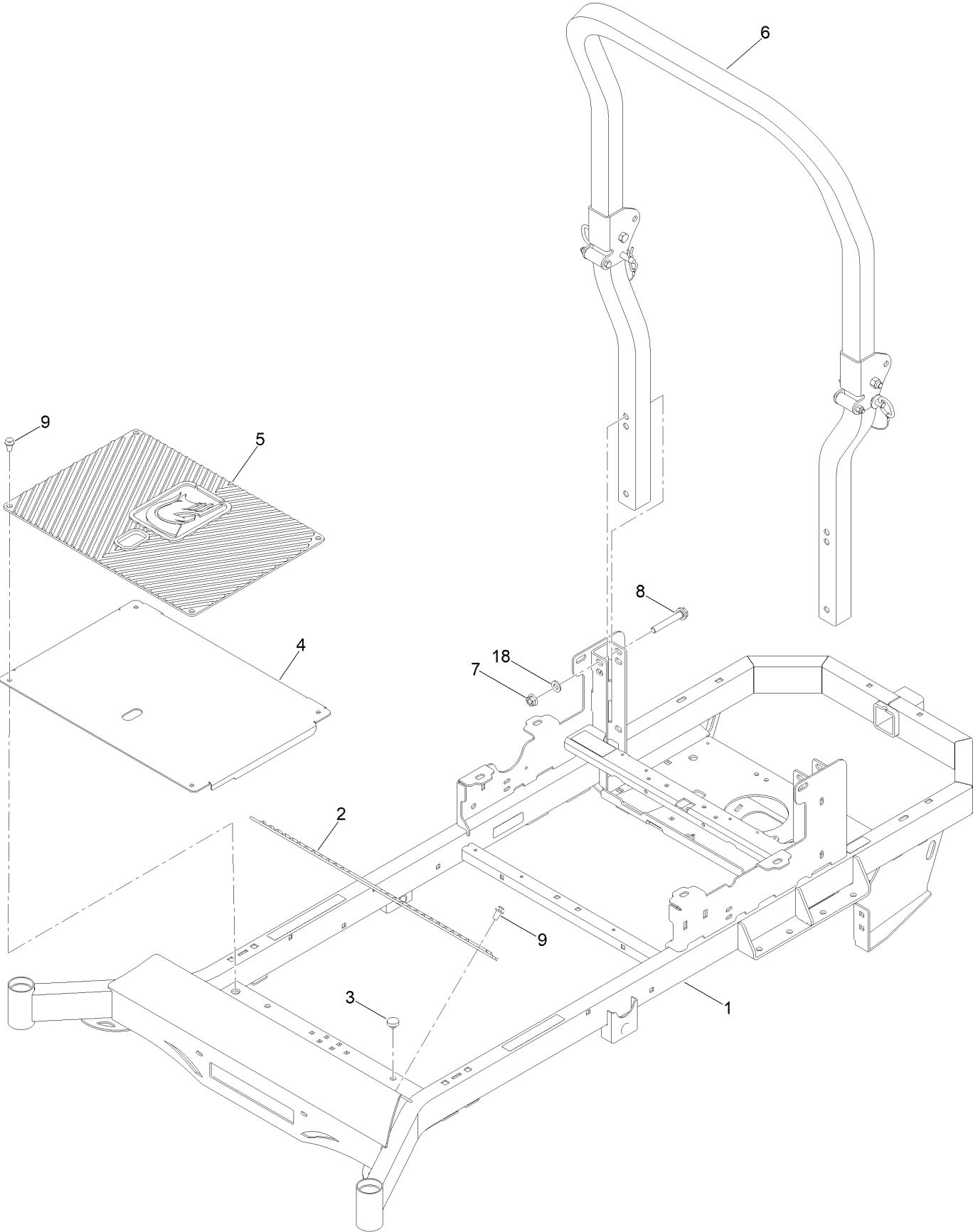
In an illustration, if a reference number indicates more than one part, the reference number has the form nX y. The n represents the quantity of the part, the X is the multiplication symbol, and the y represents the reference number.

For example, in an illustration, the reference number 2X 37 means that two of the parts identified by reference number 37 are indicated.

Contents

Main Frame Assembly	4
Frame with Decals Assembly No. 148-0997	6
Transmission Assembly	8
Body Styling Assembly	10
Fuel Tank Assembly	12
Fuel Tank Assembly No. 467-0001-00	14
Seat Assembly	16
Motion Control and Parking Brake Assembly	18
Caster Tire Assembly	20
Drive Wheel Assembly	22
Electrical Assembly	24
Decklift Assembly	26
HOC Pin Assembly No. 148-1450	28
Engine Assembly	30
72 Inch Cutting Deck Assembly	32
Deck Decal Assembly No. 148-0788	34
Deck Suspension Link Assembly No. 435-0007-KT	36
Seat Suspension Assembly	38

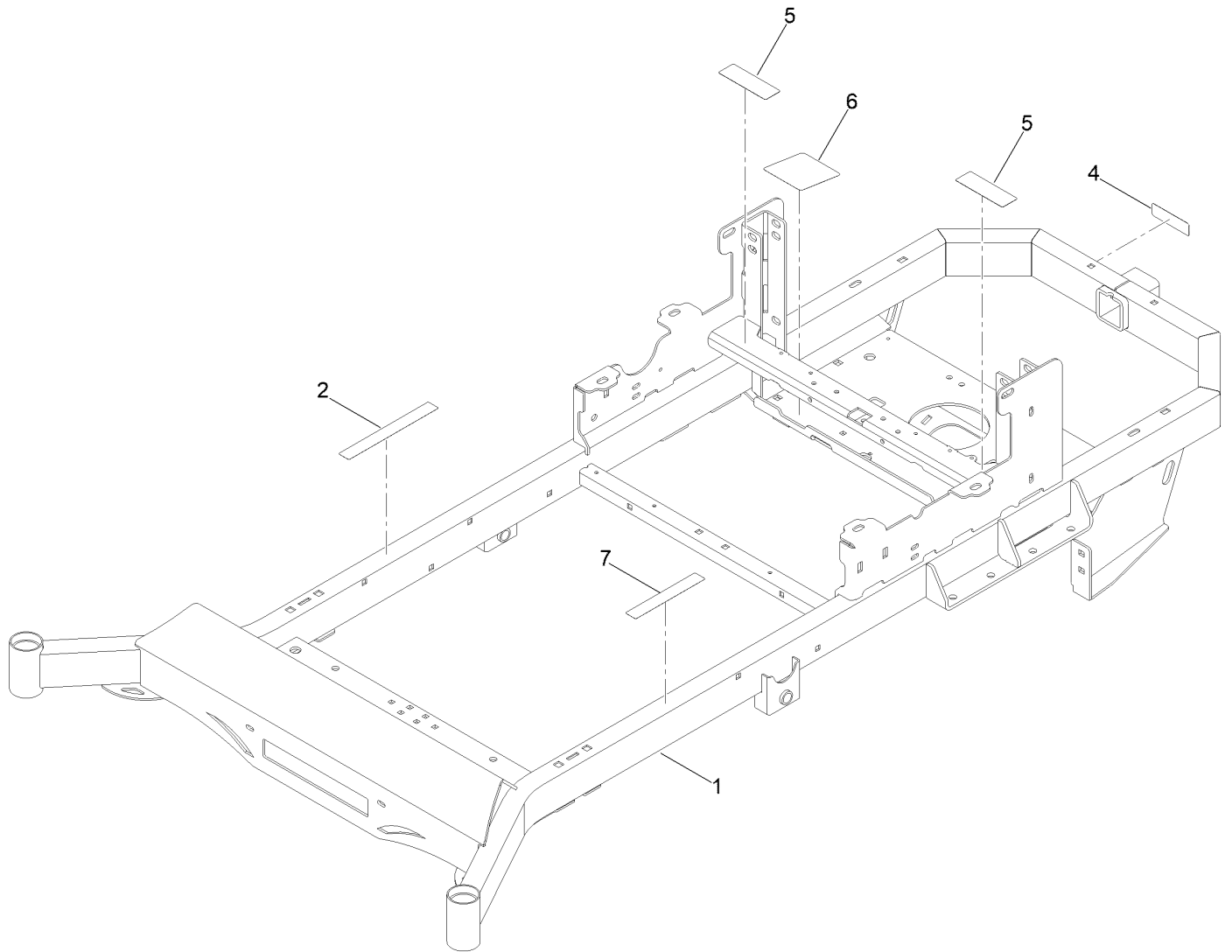
Main Frame Assembly



Main Frame Assembly (continued)

<i>Ref.</i>	<i>Part Number</i>	<i>Qty.</i>	<i>Description</i>	<i>Ref.</i>	<i>Part Number</i>	<i>Qty.</i>	<i>Description</i>
1	148-0997	1	Frame ASM-Decals	7	413-0014-00	4	1/2-13 Hex Stover Locknut GR C Zinc
2	481-0005-00	1	Mwr Rubber Foot Rest Mat	8	418-0019-00	4	Bolt-HF
3	429-0002-00	2	Push-In Rubber Bumper	9	414-0002-00	10	8MM Push Type Retainer Nylon Black
4	439-0007-00-P11	1	Mwr Floorboard Paint	18	106-9888	4	Washer-Flat
5	481-0006-00	1	Mwr Logo Floor Mat				
6	148-0233	1	ROPS				

Frame with Decals Assembly No. 148-0997

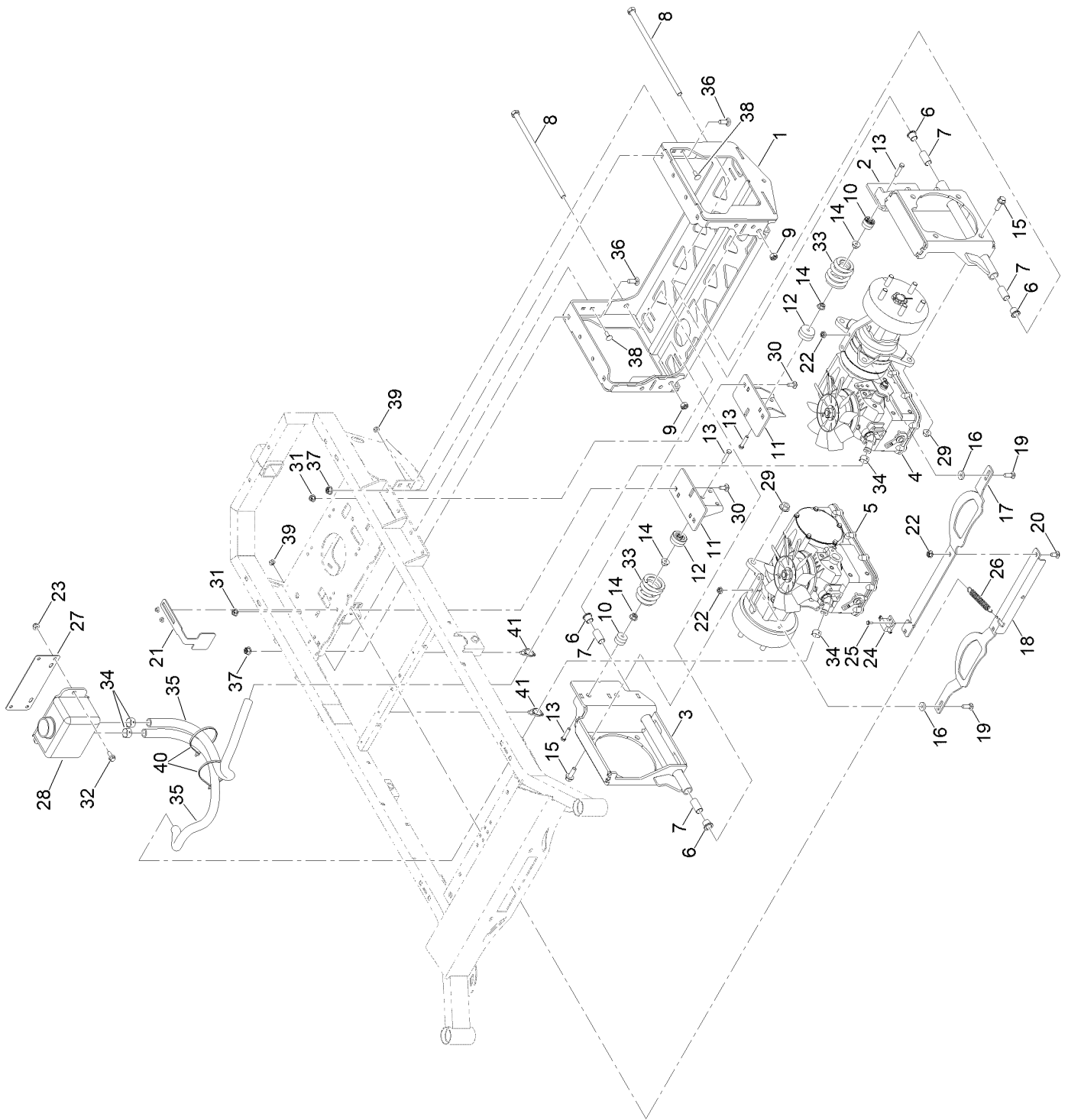


Frame with Decals Assembly No. 148-0997 (continued)

<i>Ref.</i>	<i>Part Number</i>	<i>Qty.</i>	<i>Description</i>	<i>Ref.</i>	<i>Part Number</i>	<i>Qty.</i>	<i>Description</i>
1		1	Ztr Frame ASM ●	5	148-1308	2	Decal-Warn Rotating Device
2	148-1095	1	Decal-Warning	6	148-1480	1	Decal-Belt Routing
4	147-7364	1	Decal-Hitch	7	148-1094	1	Decal-Warning

● Not serviced separately

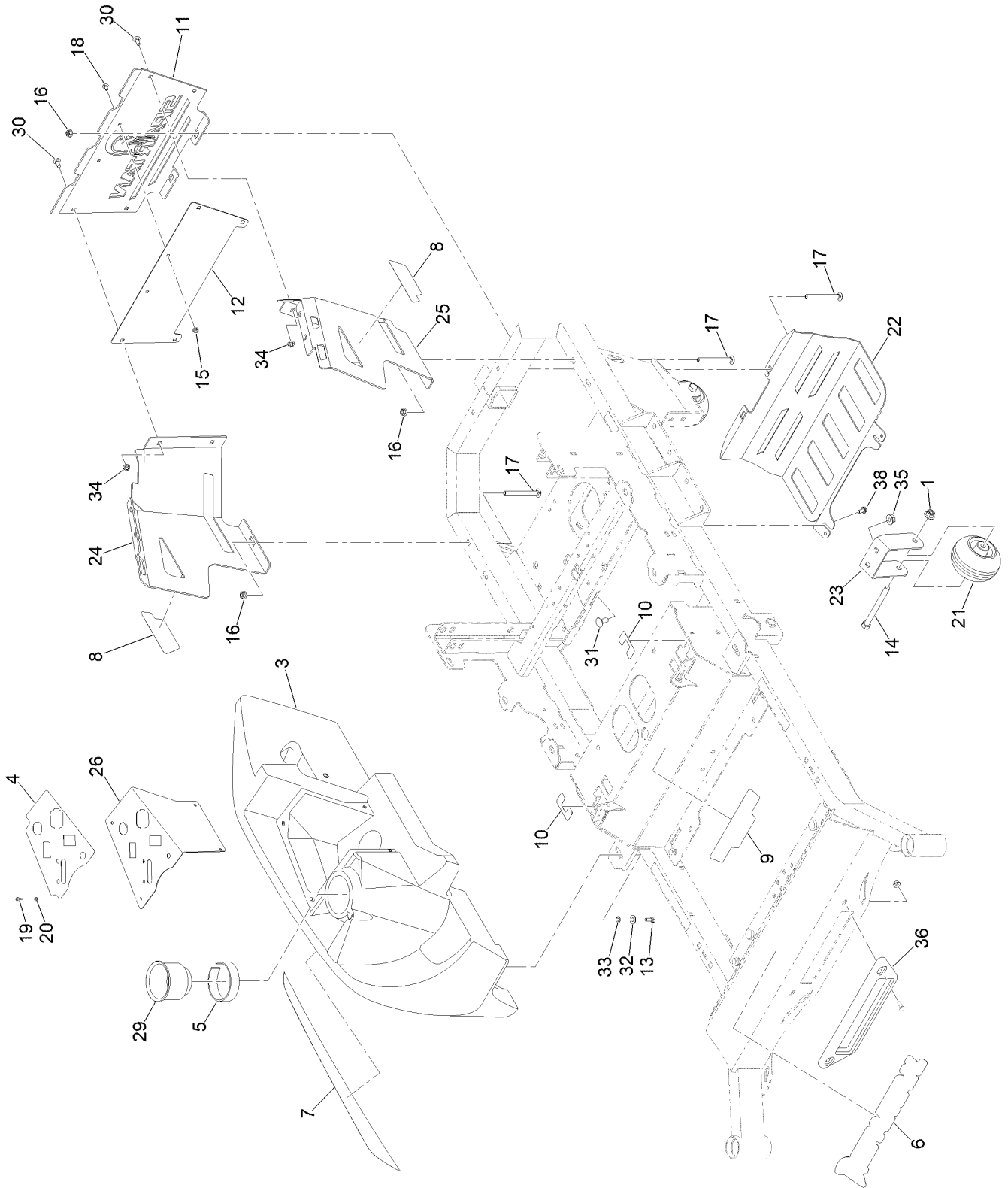
Transmission Assembly



Transmission Assembly (continued)

<i>Ref.</i>	<i>Part Number</i>	<i>Qty.</i>	<i>Description</i>	<i>Ref.</i>	<i>Part Number</i>	<i>Qty.</i>	<i>Description</i>
1	148-0991-P11	1	Hydro Frame ASM	21	439-0066-00-P11	1	Stand Trans Brake Interlock Brkt Paint
2	490-0004-00-P11	1	Xd Lt Rr Susp Assy Painted	22	413-0027-00	4	Nut-HF, NI
3	490-0005-00-P11	1	Xd Rt Rr Susp Assy Painted	23	413-0022-00	4	Nut-HF
4	450-0015-00	1	Htg16 Lt Side Transm W/Control Orifice	24	486-0030-00	1	No Plunger Limit Switch
5	450-0016-00	1	Htg16 Parker Rt Sd Trans W/Cntrl Orifice	25	418-0032-00	2	8-32 X 1/2 Ind. HWH Slot Type F Tcs Zinc
6	135-9063	4	Bushing-Flange	26	434-0003-00	1	Mwr Brake Pedal Release Spring
7	410-0019-00	4	.625 ID X .750 OD X 1.500In Oi Bushing	27	426-0013-00-P11	1	Mwr Hydraulic Reservoir Mtg Plate Black
8	418-0058-00	2	5/8-11 X 15In Hex C/S GR 2 Zc 3In Thd L	28	467-0003-00	1	Hydraulic Fluid Reservoir
9	413-0050-00	2	5/8-11 Nylon Insert Flange L/Nut Zinc	29	32128-49	8	Nut-HHF
10	434-0011-00	2	Susp Spring Outside Guide	30	3232-1	6	Screw-CARR
11	490-0069-00-P11	2	Mwr Susp Frame Brkt Assy Paint	31	413-0001-00	6	7/16-14 Hex Flange Nut W/Serr Zinc
12	434-0010-00	2	Susp Spring Inside Guide	32	116-7230	4	Screw-HHF
13	418-0051-00	4	3/8-16 X 1-3/4 Hex C/S GR 2 Zinc	33	587-0002-00	2	Srt Rr Susp Spring
14	413-0013-00	4	3/8-16 Nylon Insert Flange L/Nut Yz	34	472-0013-00	4	22MM Hose Clamp (Ctb-22ST-Fk)
15	100-6116	8	Screw-HHF	35	451-0001-00	5	Mwr 5/8In Hydraulic Hose, 1Ft
16	419-0006-00	2	.312 ID X .875OD X .1875 THK F/W NYL	36	148-1262	4	Screw-CARR,Patch
17	439-0757-00-P11	1	2022 Xd Park Brake Brkt G16 Lt Grey	37	413-1005-00	4	1/2-13 Hex Flange 2-Way Rev Cntr L/Nyz
18	439-0758-00-P11	1	2022 Xd Park Brake Brkt G16 Rt Grey	38	418-0045-00	4	3/8-16 X 1 Carriage Bolt Yz GR.8
19	418-0010-00	2	Bolt-CARR	39	413-0029-00	4	Nut-Hex
20	418-0008-00	2	Bolt-CARR	40	3290-379	2	Tie-Cable
				41	32180-030	2	Clip-Tie

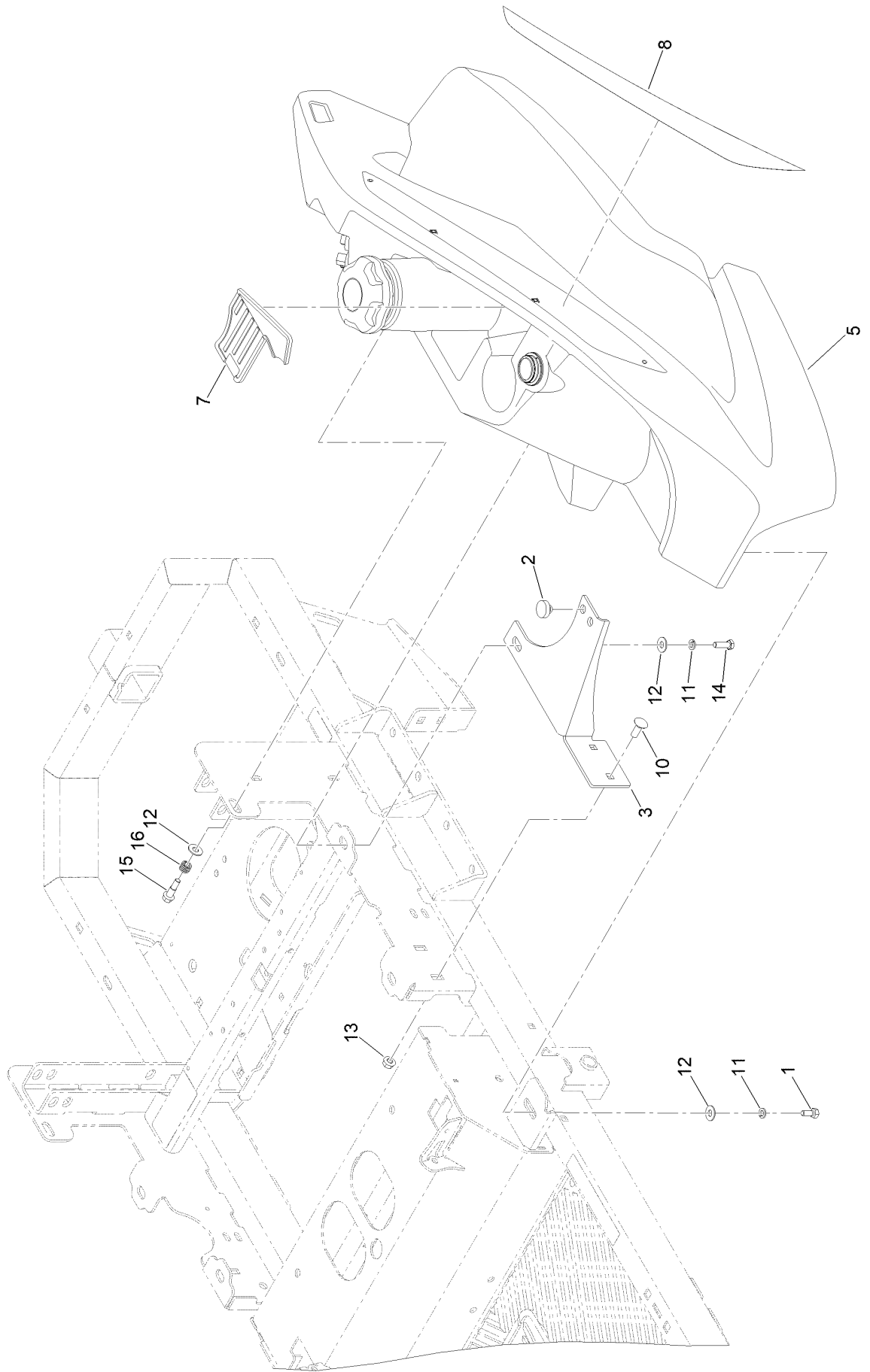
Body Styling Assembly



Body Styling Assembly (continued)

<i>Ref.</i>	<i>Part Number</i>	<i>Qty.</i>	<i>Description</i>	<i>Ref.</i>	<i>Part Number</i>	<i>Qty.</i>	<i>Description</i>
1	413-0002-00	2	Nut-Lock	20	419-0011-00	4	#10 Split Lockwasher 18-8 SS
3	148-0307	1	Console W/ Cupholder	21	422-0061-00	2	Mwr Anti-Scalp Whl W/O Grease Fitting
4	148-1098	1	Decal-Control Panel	22	148-1172-P11	1	Muffler Guard [gray]
5	148-0770	1	Tape-Foam	23	439-0138-00-P11	2	Mwr Stabilizer Mtg Brkt Paint
6	148-0801	1	Decal-Spartan, Front	24	439-0691-00-P11	1	2021 Rt/Srt Engn Cowling Rtpainted
7	148-0845	1	Decal-Tank	25	439-0692-00-P11	1	2021 Rt/Srt Engn Cowling Lt Painted
8	148-0865	2	Decal-Model	26	148-1042-05	1	Rt 45 Key Mnt
9	148-0867	1	Decal-Srt-Xd Gt Trac Model	29	780-2220-00	1	Cup Holder
10	148-1056	1	Decal-Motion Control	30	418-0008-00	4	Bolt-CARR
11	148-1067-P11	1	Plate - Engine Cowling	31	3232-1	4	Screw-CARR
12	148-1068-P12	1	Plate -Backer Plate	32	3253-4	4	Washer-Lock
13	418-0054-00	4	Screw-HH	33	419-0007-00	4	Washer-Flat
14	418-0016-00	2	Screw-HH	34	413-0022-00	4	Nut-HF
15	413-0023-00	2	1/4-20 Hex Flange Nut W/Serr Zinc	35	32128-37	4	Nut-HF
16	413-0013-00	4	3/8-16 Nylon Insert Flange L/Nut Yz	36	429-0003-00	1	Mwr Ft Nylon Bumper
17	418-0018-00	4	3/8-16 X 4 Carriage Bolt Zinc	38	418-0049-00	2	Bolt-HWH
18	418-0031-00	2	1/4-20 X 1/2 Carriage Bolt,Yz				
19	418-0055-00	4	10-24 X 1/2 Socket C/S 18-8 SS				

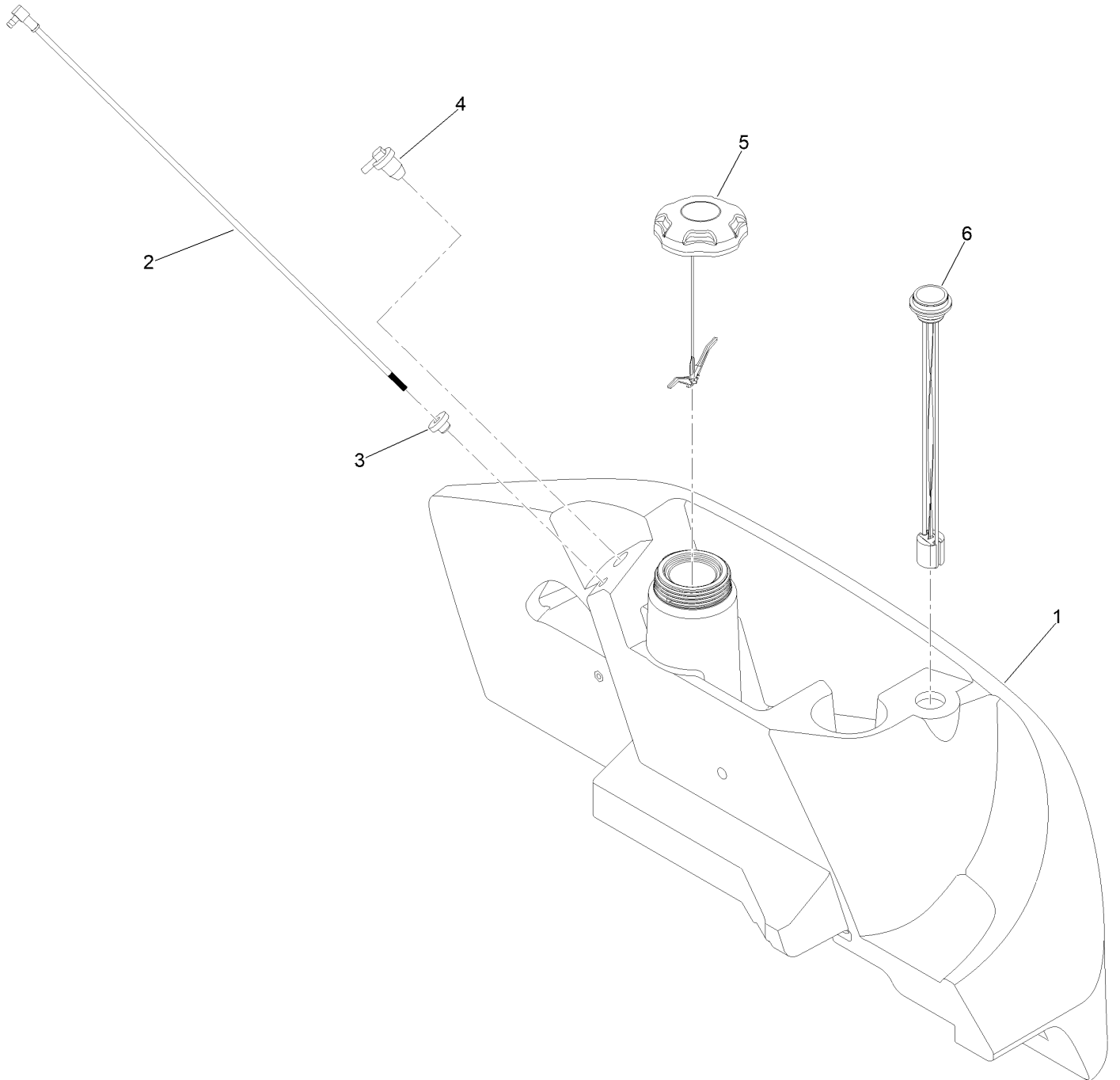
Fuel Tank Assembly



Fuel Tank Assembly (continued)

<i>Ref.</i>	<i>Part Number</i>	<i>Qty.</i>	<i>Description</i>	<i>Ref.</i>	<i>Part Number</i>	<i>Qty.</i>	<i>Description</i>
1	418-0054-00	2	Screw-HH	11	3253-4	3	Washer-Lock
2	429-0002-00	2	Push-In Rubber Bumper	12	419-0007-00	4	Washer-Flat
3	148-0478-P11	1	Bracket-Tank Support	13	413-0020-00	2	3/8-16 Hex Flange Nut W/Serr Zinc Yellow
5	467-0001-00	1	Mwr Gasoline Fuel Tank Assy	14	418-0108-00	1	Screw-HH
7	481-0004-00	1	Rubber Tank Storage Compartment Insert	15	418-0287-00	1	Screw-Shoulder,HHF
8	148-0844	1	Decal-Tank	16	434-0020-00	1	Spring-Compression
10	418-0045-00	2	3/8-16 X 1 Carriage Bolt Yz GR.8				

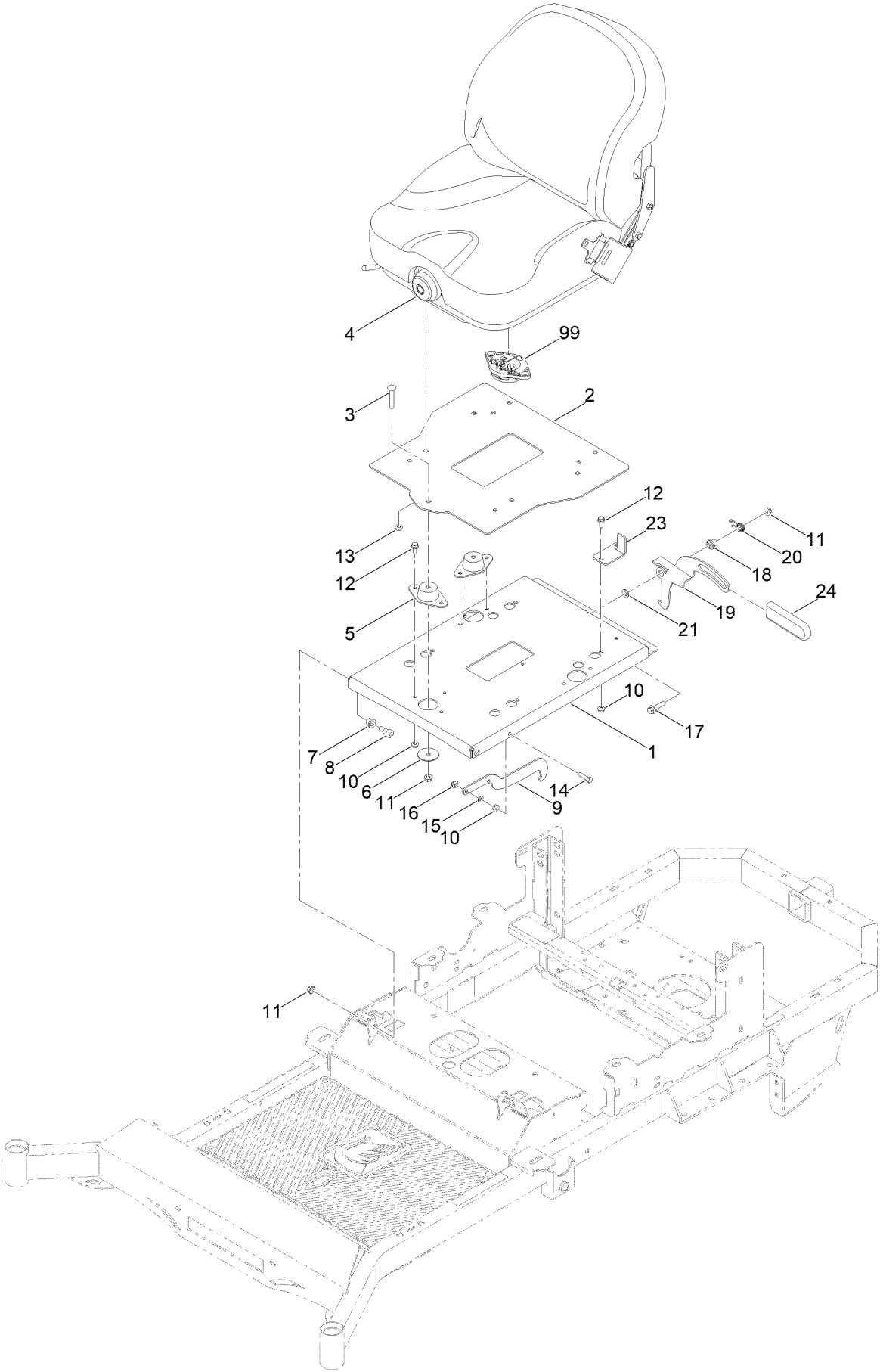
Fuel Tank Assembly No. 467-0001-00



Fuel Tank Assembly No. 467-0001-00 (continued)

<i>Ref.</i>	<i>Part Number</i>	<i>Qty.</i>	<i>Description</i>	<i>Ref.</i>	<i>Part Number</i>	<i>Qty.</i>	<i>Description</i>
1	467-0011-00	1	Rz Fuel Pickup Tube (Solar Tank)	4	467-0006-00	1	Remote Tank Vent Valve W/Grommet
2	467-0012-00	1	25.14In Fuel Pickup Tube W/Filter Screen	5	467-0008-00	1	Kelch Tank Fill Neck Non-Ventcap(204541)
3	467-0005-00	1	Fuel Pickup Tube Gromm Nitrdapco 10672	6	467-0035-00	1	Rt/Srt Rochester Fuel Gauge

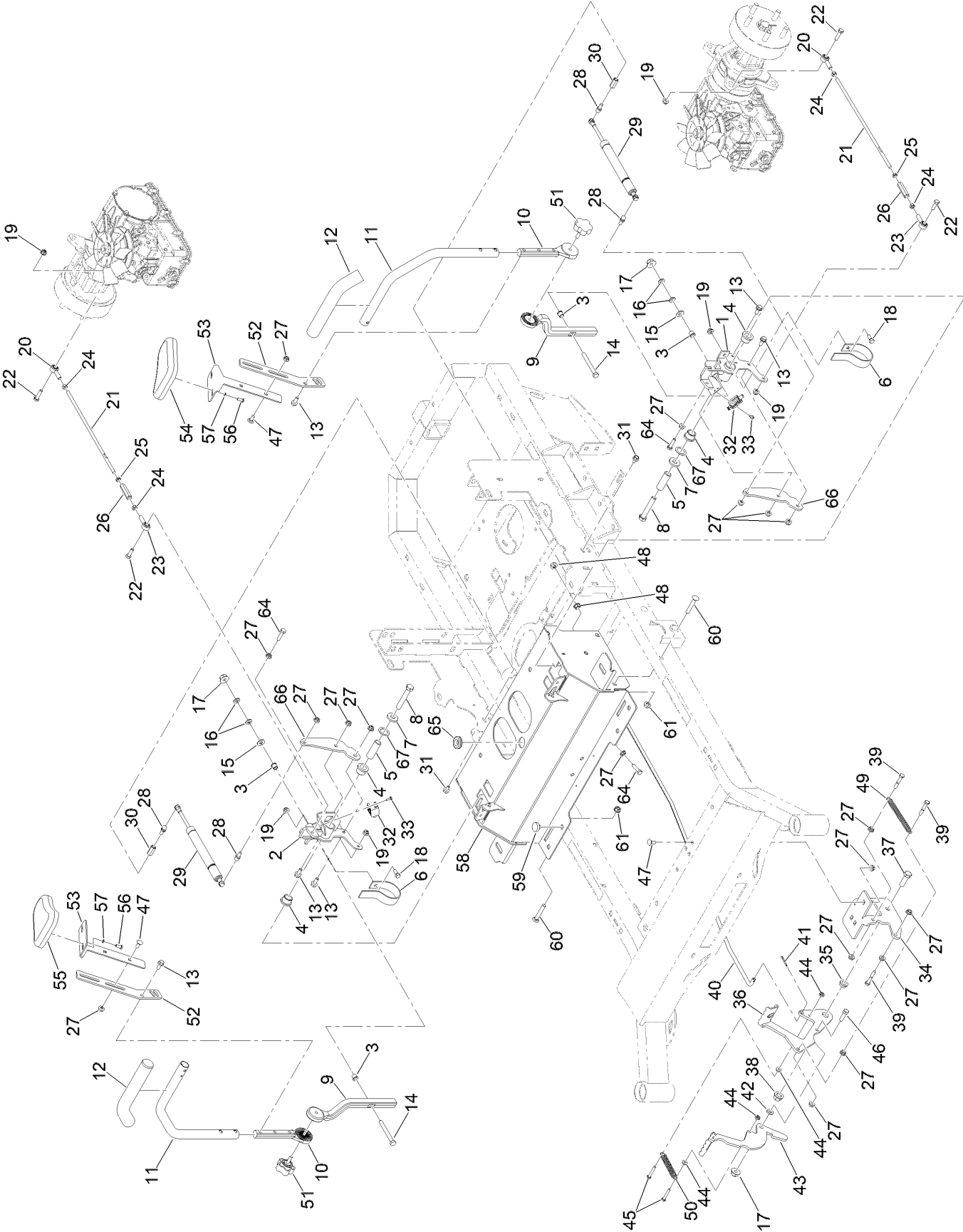
Seat Assembly



Seat Assembly (continued)

<i>Ref.</i>	<i>Part Number</i>	<i>Qty.</i>	<i>Description</i>	<i>Ref.</i>	<i>Part Number</i>	<i>Qty.</i>	<i>Description</i>
1	148-1008-P11	1	Plate-Seat, No360	13	413-0019-00	4	5/16-18 Nylon Insert Flange L/Nut Zc
2	426-0231-00-P11	1	2019 Upgrade Seat Plate Paint	14	322-47	1	Screw-HH
3	618-2023-00	3	Screw-CARR	15	413-0016-00	1	.312Idx.625Odx.062 THK Thrust Brg Oi Brz
4	471-0015-00	1	2019 Full Susp Seat	16	413-0027-00	1	Nut-HF, NI
5	487-0007-00	3	Floating Seat Damper-Stiffer	17	323-9	1	Screw-HH
6	419-0022-00	3	3/8 X 2In OD Fender Washer Yz	18	107-0075	1	Bushing-Latch, Seat
7	410-0010-00	2	1/2In ID X 5/8In OD X 1/2In Flange Bush	19	148-0953	1	Bracket-Latch
8	418-0038-00	2	1/2 X 1/2 Socket Shoulder Bolt Zc Yellow	20	126-8923	1	Spring-Torsion, Latch
9	439-0065-00-P11	1	Mwr Seat Latch Hook Paint	21	138-7207	1	Spacer-Hub, Blower
10	413-0022-00	9	Nut-HF	23	148-1305-05	1	Bkt-Stop, Slide
11	413-0029-00	6	Nut-Hex	24	484-0002-00	1	Stand Up Mwr Brake Arm Grip
12	116-7230	8	Screw-HHF	99	486-0036-00	1	Mwr Seat Switch

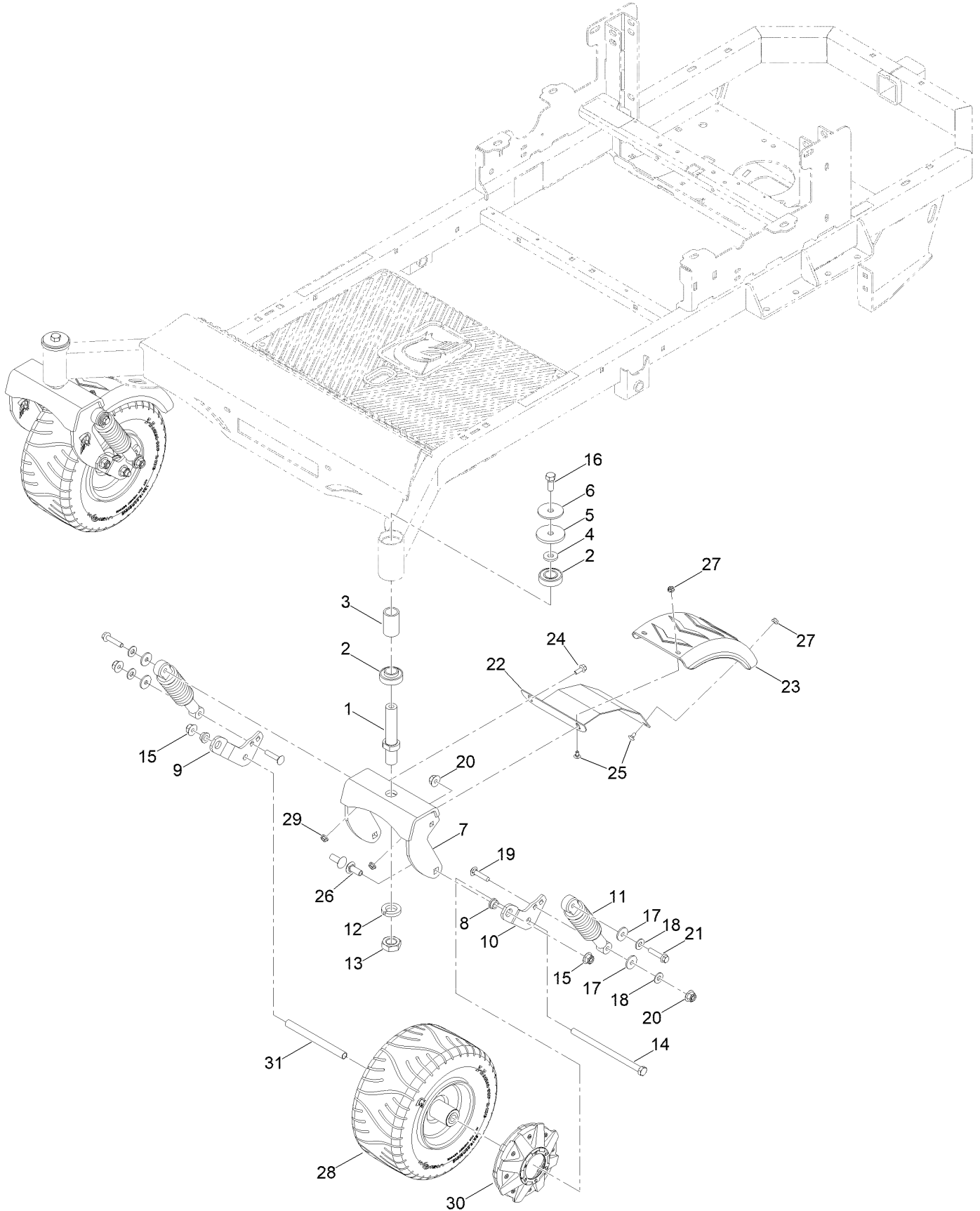
Motion Control and Parking Brake Assembly



Motion Control and Parking Brake Assembly (continued)

<i>Ref.</i>	<i>Part Number</i>	<i>Qty.</i>	<i>Description</i>	<i>Ref.</i>	<i>Part Number</i>	<i>Qty.</i>	<i>Description</i>
1	148-0888-05	1	LH Pivot ASM	36	490-0016-00-P11	1	Mwr Brake Lock Lever Assy Painted
2	148-0889-05	1	RH Pivot ASM	37	139-2631	1	Screw-HH
3	148-0886	4	Bushing-Flange	38	413-0002-00	1	Nut-Lock
4	148-0897	4	Bushing-Flange	39	418-0027-00	3	Bolt-HH
5	148-0885	2	Sleeve-Pivot	40	435-0004-00	1	Mwr Brake Linkage
6	109-5575	2	Spring-Leaf	41	3272-11	1	Pin-Cotter
7	419-0003-00	2	1/2 Fender Washer 1-1/4In OD Zinc	42	413-0052-00	1	3/8 ID X 3/4 OD X .125 THK Bronze Washer
8	418-0050-00	2	1/2-13 X 3 Hex C/S GR 5 Zinc W/Loctite	43	490-0017-00-P11	1	Mwr Brake Unlock Lever Assy Painted
9	431-0002-00	2	Adjustable Lwr Drive Arm	44	413-0012-00	4	1/4-20 Hex Flange Nut
10	431-0003-00	2	Adjustable Upp Drive Arm	45	418-0029-00	2	1/4-20 X 1-1/4 Hex C/S GR 2 Zinc
11	403-0020-00-P11	2	Mwr Drive Handle Tube Painted	46	323-7	1	Screw-HH
12	484-0001-00	2	Control Arm Handle Grip	47	418-0008-00	7	Bolt-CARR
13	116-7230	8	Screw-HHF	48	413-0020-00	2	3/8-16 Hex Flange Nut W/Serr Zinc Yellow
14	323-20	2	Screw-HH	49	434-0015-00	1	2020 Mwr Brake Pedal Tension Spring
15	419-0007-00	2	Washer-Flat	50	434-0003-00	1	Mwr Brake Pedal Release Spring
16	148-1012	4	Washer-Belleville	51	148-0228	2	5/16-18 X 1 SI 5-Lobe Male ST Knob 1.90
17	413-0013-00	3	3/8-16 Nylon Insert Flange L/Nut Yz	52	148-1416-P11	2	Bracket-Mount, Drive Arm Pad
18	418-0054-00	2	Screw-HH	53	439-0011-00-P11	2	Mwr Arm Pad Mtg Brkt Painted
19	413-0027-00	6	Nut-HF, NI	54	471-0028-00	1	2020 Mwr Drive Arm Support Pad Lt
20	410-0071-00	2	5/16-24 Spher Rod End Zinc RH Thd Fem	55	471-0029-00	1	2020 Mwr Drive Arm Support Pad Rt
21	435-0002-00	2	Trans Drive Arm Linkage Standard Trans	56	3274-31	4	Screw-HSBH
22	AU426-516	4	Screw-HH	57	419-0012-00	4	1/4 EXT Tooth Lockwasher Zinc
23	148-1099	2	Rod End-Ball Joint	58	148-0911-P11	1	ASM, Gt-Trac [gray]
24	09207	4	Nut	59	429-0002-00	2	Push-In Rubber Bumper
25	3220-20	2	Nut-Jam	60	618-2023-00	4	Screw-CARR
26	148-1100	2	Nut-Sleeve	61	413-0029-00	4	Nut-Hex
27	413-0022-00	23	Nut-HF	64	322-47	4	Screw-HH
28	487-0005-00	4	5/16-18X1.286 Damper Ball Stud (.562 TI)	65	240-6	1	Grommet-Rubber
29	487-0001-00	2	Control Arm Damper	66	148-1492-05	2	Plate-Damper
30	613-0065-00	2	Standoff-Hex	67	418-0110-00	2	.767Idx1.125Odx.016 THK Trip Wv Washer
31	3234-28	2	Screw-HHF				
32	486-0030-00	2	No Plunger Limit Switch				
33	418-0032-00	4	8-32 X 1/2 Ind. HWH Slot Type F Tcs Zinc				
34	439-0009-00-P11	1	Mwr Frame Brake Mtg Brkt Paint				
35	410-0009-00	1	1/2In ID X 3/4In OD X 3/8In Flange Bush				

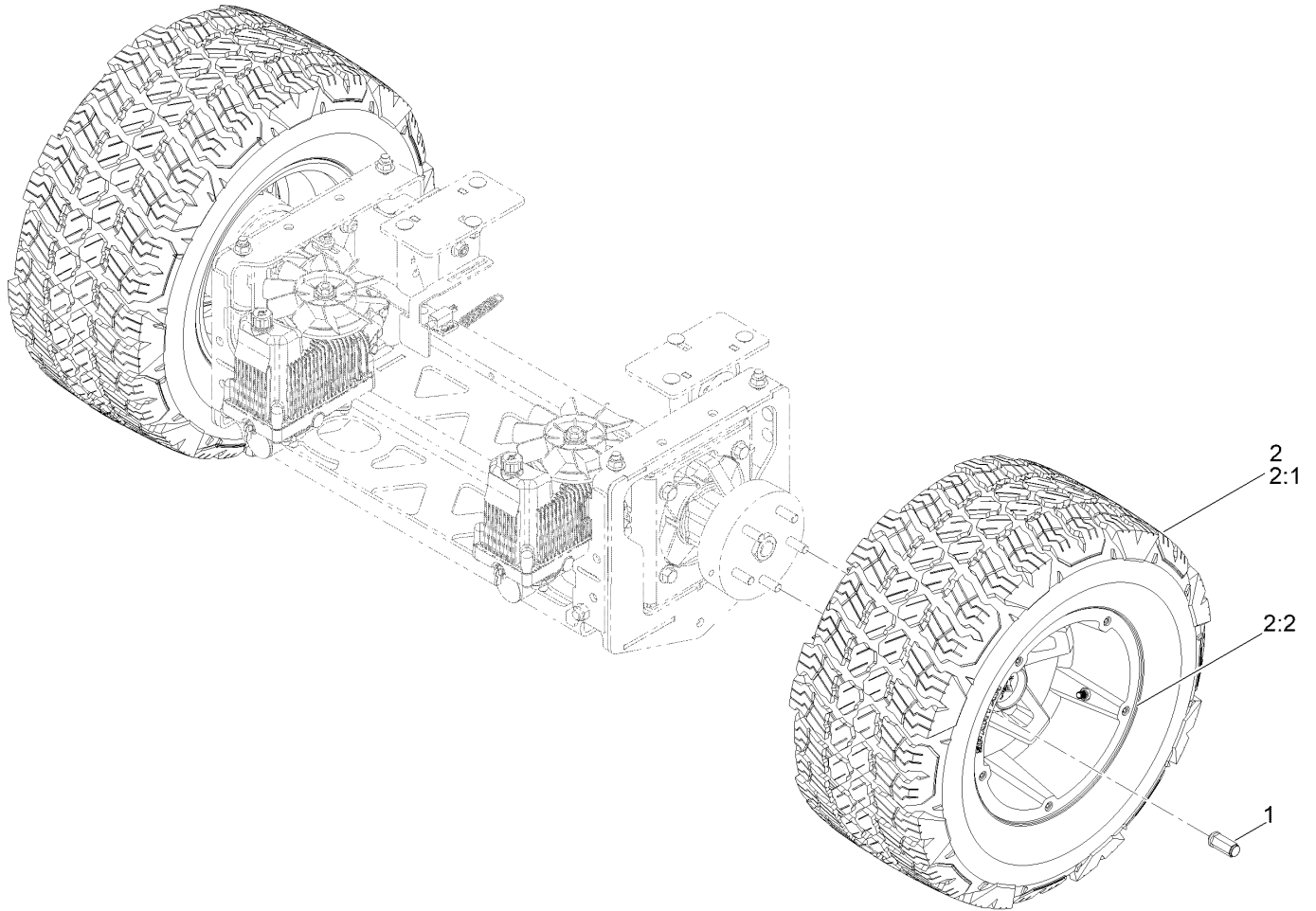
Caster Tire Assembly



Caster Tire Assembly (continued)

<i>Ref.</i>	<i>Part Number</i>	<i>Qty.</i>	<i>Description</i>	<i>Ref.</i>	<i>Part Number</i>	<i>Qty.</i>	<i>Description</i>
1	437-0019-00	2	Mwr Caster Shaft	17	419-0028-00	8	Flt Washer 1.25Odx.38ldx.125 THK
2	103-3540	4	Bearing-Ball				Pla
3	425-0011-00	2	Caster Fork Shaft Bearing Spacer	18	3256-4	8	Washer-Flat
4	419-0003-00	2	1/2 Fender Washer 1-1/4In OD Zinc	19	618-2048-00	4	3/8In-16X1-3/4In G8 Carriage Bolt
5	419-0025-00	2	Ft Hub Plastic Washer	20	413-0013-00	8	3/8-16 Nylon Insert Flange L/Nut Yz
6	426-0006-00-P11	2	Mwr Caster Shaft Washer	21	418-0097-00	4	3/8-16 X 1-.75 Hex Flg Bolt GR 8 Yellow
7	148-1491-P11	2	2025 Ft Fork Shock Assy	22	439-0389-00-P11	2	2020 Spartan Ft Fender Brkt Paint
8	410-0009-00	4	1/2In ID X 3/4In OD X 3/8In Flange Bush	23	414-0024-00	2	Spartan Fork Ft Fender
9	439-0750-00-P11	2	2022 Srt Tweels Susp Brkt Rt Painted	24	116-7230	4	Screw-HHF
10	439-0751-00-P11	2	2022 Srt Tweels Susp Brkt Lt	25	418-0031-00	8	1/4-20 X 1/2 Carriage Bolt,Yz
11	487-0009-00	4	2020 Rz Pro Seat / Ft Fork Shock	26	418-0096-00	4	1/2-13 X 1.25 Carriage Bolt Yellow
12	419-0024-00	2	1In L/W Med Split Zc	27	413-1008-00	8	Nut-HHF
13	413-0063-00	2	Nut-Hex	28	422-0042-00	2	Spartan Radial Ft Tire And Wheel Assm
14	418-0003-00	2	1/2-13 X 8-1/2 Hex C/S GR 5 Zinc Yellow	29	32128-20	4	Nut-HF
15	413-0002-00	6	Nut-Lock	30	422-0024-00	2	Mwr Ft Wheel Hub Cap
16	418-0002-00	2	1/2-20 X 1-1/4 Hex Flange Bolt GR 8 Yz	31	425-0010-00	2	Mwr Ft Wheel Spanner

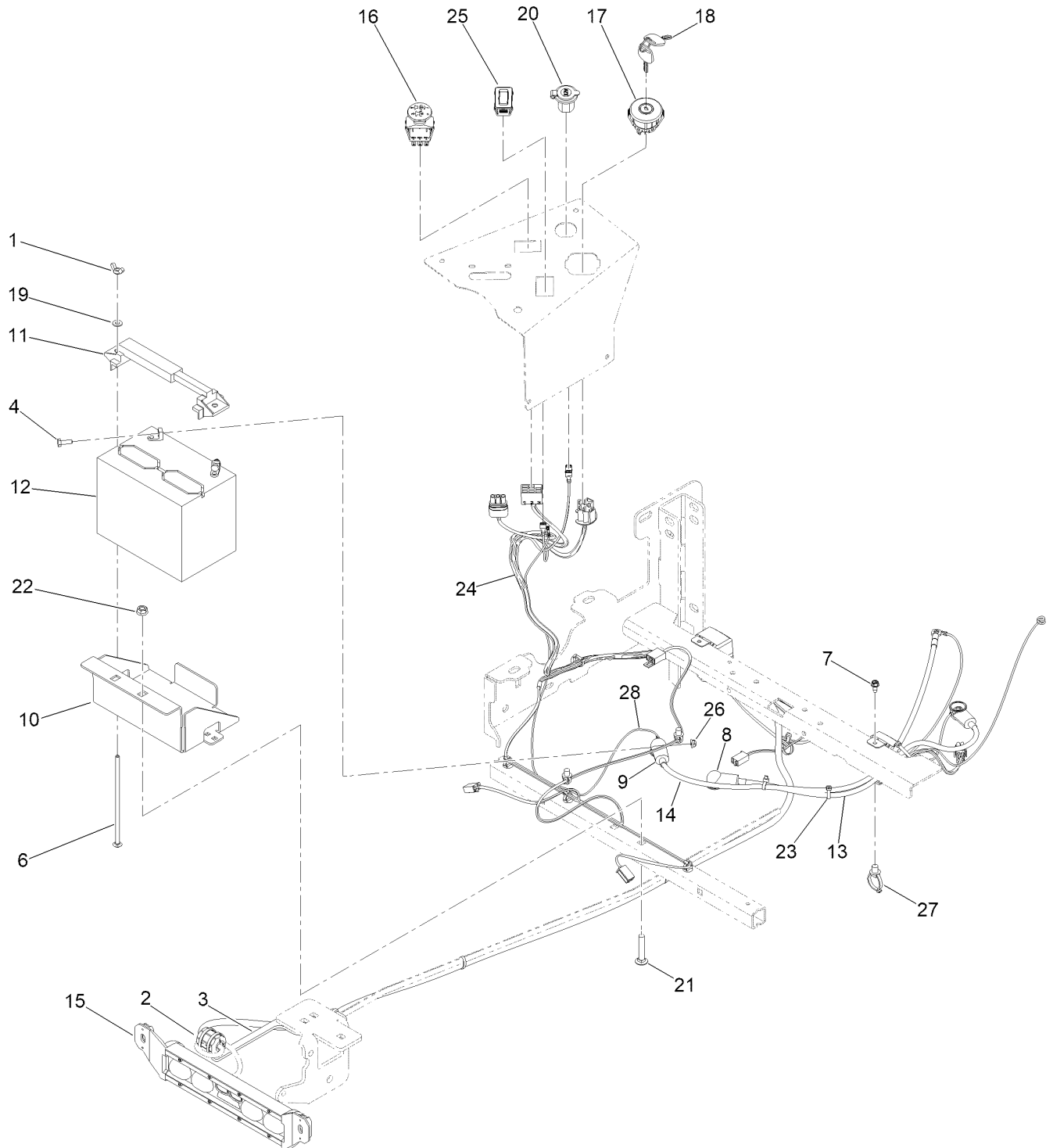
Drive Wheel Assembly



Drive Wheel Assembly (continued)

<i>Ref.</i>	<i>Part Number</i>	<i>Qty.</i>	<i>Description</i>	<i>Ref.</i>	<i>Part Number</i>	<i>Qty.</i>	<i>Description</i>
1	613-0001-00	10	Lug Nuts	2:1	422-0006-00	1	24 X 14 R12 Soft Ride Radial Tire Only
2	422-0005-00	2	2019 Mwr Xd Wheel And 24X14-R12 Tire	2:2	422-0007-00	1	12 X 8.5 416 Style Wheel Only

Electrical Assembly



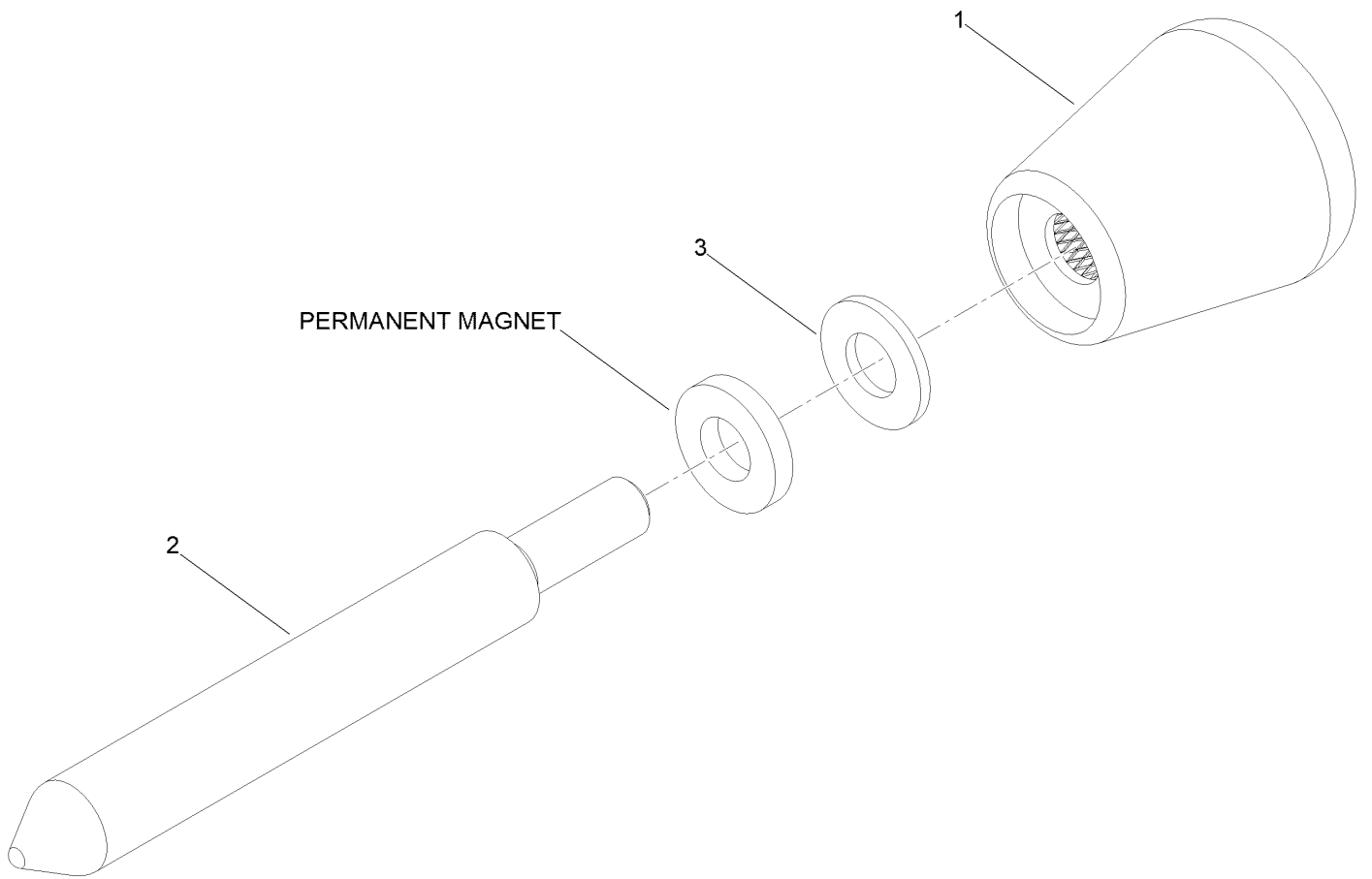
Electrical Assembly (continued)

<i>Ref.</i>	<i>Part Number</i>	<i>Qty.</i>	<i>Description</i>	<i>Ref.</i>	<i>Part Number</i>	<i>Qty.</i>	<i>Description</i>
1	1-803038	2	Wingnut	14	486-0017-00	1	Mwr Negative Cable 28
2	148-0191	1	Fair-Rite Round Cable Snap-It Size B	15	486-0042-00	1	Full Beam With Lighted Helmet Light Bar
3	148-0219-05	1	Fair-Rite Bracket Painted	16	486-0060-00	1	PTO Switch
4	321-4	2	Screw-HH	17	486-0062-00	1	Ignition Switch
6	418-0034-00	2	1/4-20 X 7 Carriage Bolt Zinc	18	148-1494	1	Key-Ignition
7	120-9551	2	Screw-HWH	19	515-0038	2	Washer-Flat
8	436-0002-00	1	3.15 Lgth Straight Insul Term Cover Red	20	677-2075-00	1	12 Volt Auxilliary Plug
9	436-0003-00	1	Straight Insulating Terminal Cover	21	3231-6	2	Screw-CARR
10	439-0008-00-P11	1	Mwr Battery Box	22	413-0020-00	2	3/8-16 Hex Flange Nut W/Serr Zinc Yellow
11	443-0001-00	1	Battery Hold Down	23	3290-379	14	Tie-Cable
12	468-0001-00	1	Mwr Start Battery 350CCA	24	148-1032	1	Harness-Wire
13	486-0016-00	1	Mwr Positive Battery Cable 25In	25	148-1497	1	Hour Meter-2 Pin
				26	104-7201	2	Nut-HF, NI
				27	32180-030	1	Clip-Tie
				28	146-7936	1	Harness-Hour Meter Jumper

Decklift Assembly (continued)

<i>Ref.</i>	<i>Part Number</i>	<i>Qty.</i>	<i>Description</i>	<i>Ref.</i>	<i>Part Number</i>	<i>Qty.</i>	<i>Description</i>
1	148-0095	1	1/2-13X1.25In Hex Flange Bolt (GR.8) Yz	23	148-0422	1	Hex Coupling Nut-Reducer
2	148-1074	1	Decklift-Front	24	419-0007-00	1	Washer-Flat
3	148-1085	2	Support-Bearing Housing	25	487-0008-00	1	5/16-18X1.286 Damper Ball Stud (.562 TI)
4	109-9410	2	Bearing-Cross Shaft, Front	26	487-0005-00	1	5/16-18X1.286 Damper Ball Stud (.562 TI)
5	135-5694	2	Bushing-Flange	27	148-0951	1	Pedal
6	148-1003-P11	1	(Rz Rear HOC Hanger)	28	418-0042-00	1	1/2-13 X 3-1/2 Hex C/S GR 5 Zinc Yellow
7	148-0418-P11	1	Arm-Decklift Rear (3/8")	29	148-1036	1	Decal-Height Of Cut
8	135-9063	2	Bushing-Flange	30	923786	4	Rivet
9	148-0950-P11	1	Lever-Lift	31	434-0001-00	1	Deck Assist Gas Spring
10	148-1075-P11	1	Plate-Decklift, Arm LH	32	148-1450	1	HOC Pin ASM
11	148-0940-P11	1	Link-HOC(Left Side)	33	413-0022-00	2	Nut-HF
12	148-0941-P11	1	Link ASM-HOC(Right Side Welded)	34	618-2023-00	2	Screw-CARR
13	148-0946-P11	1	Bracket-HOC ASM	35	413-0029-00	8	Nut-Hex
14	148-0943	1	Plate-Transport Lock	36	148-1087	6	Screw-HHF
15	148-0949-P11	1	Cover-HOC	37	148-1080	4	Screw-CARR
16	410-0009-00	4	1/2In ID X 3/4In OD X 3/8In Flange Bush	38	418-0083-00	1	3/8 X 1/2 Socket Shoulder Bolt Yz
17	100-6116	4	Screw-HHF	39	148-1211	1	Bushing-Flange
18	413-1005-00	10	1/2-13 Hex Flange 2-Way Rev Cntr L/Nyz	40	148-1212	1	Washer-Plain
19	418-0276-00	1	Rr Deck Height Bolt	41	484-0002-00	1	Stand Up Mwr Brake Arm Grip
20	3296-45	1	Nut-Hex				
21	32128-49	1	Nut-HHF				
22	618-2068-00	1	3/8 X 3/4In GR 8 CARR Bolt Zinc				

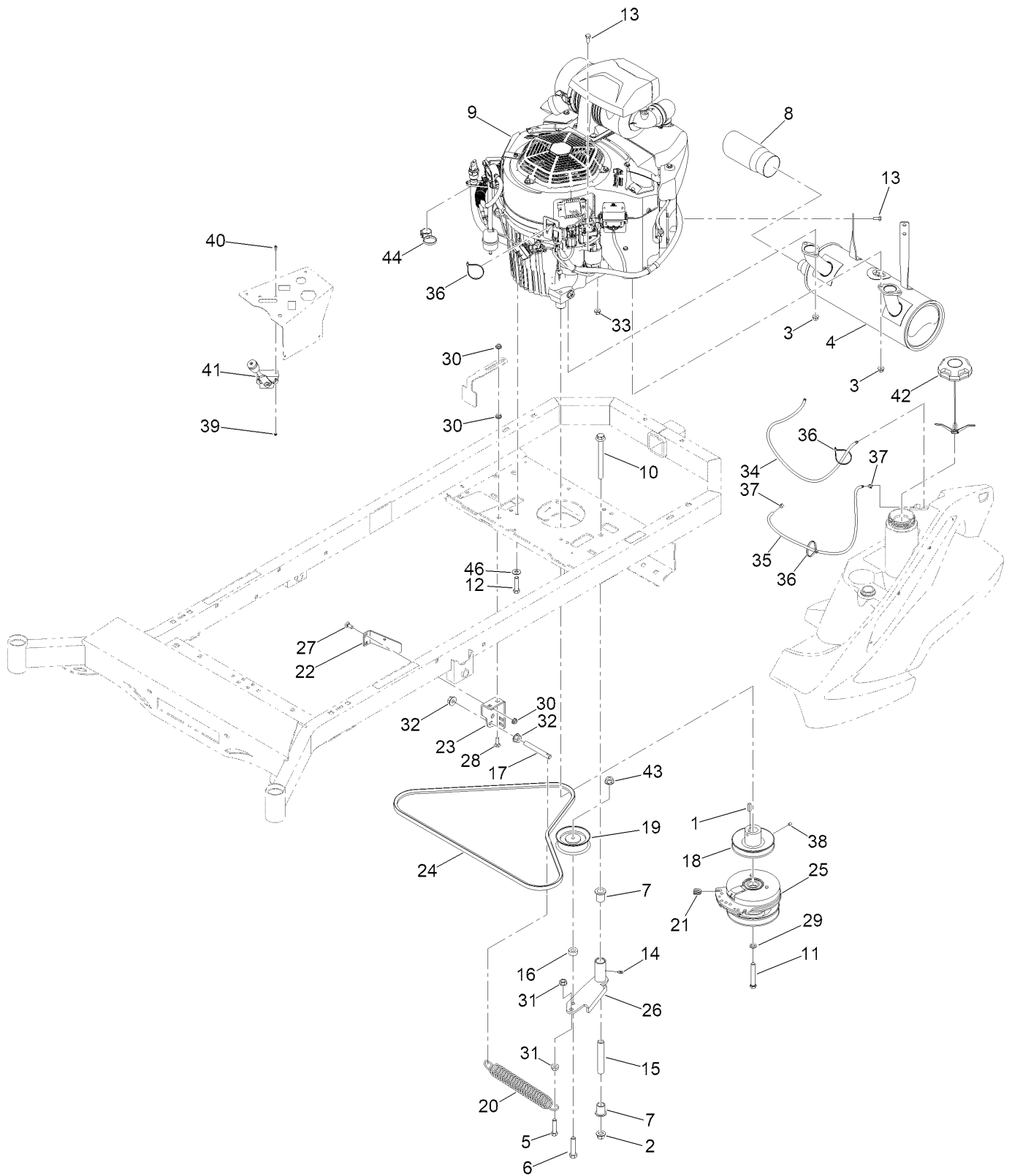
HOC Pin Assembly No. 148-1450



HOC Pin Assembly No. 148-1450 (continued)

<i>Ref.</i>	<i>Part Number</i>	<i>Qty.</i>	<i>Description</i>
1	126-7390	1	Knob-Tapered
2	148-1451	1	Pin-HOC
3	3256-23	1	Washer-Plain

Engine Assembly

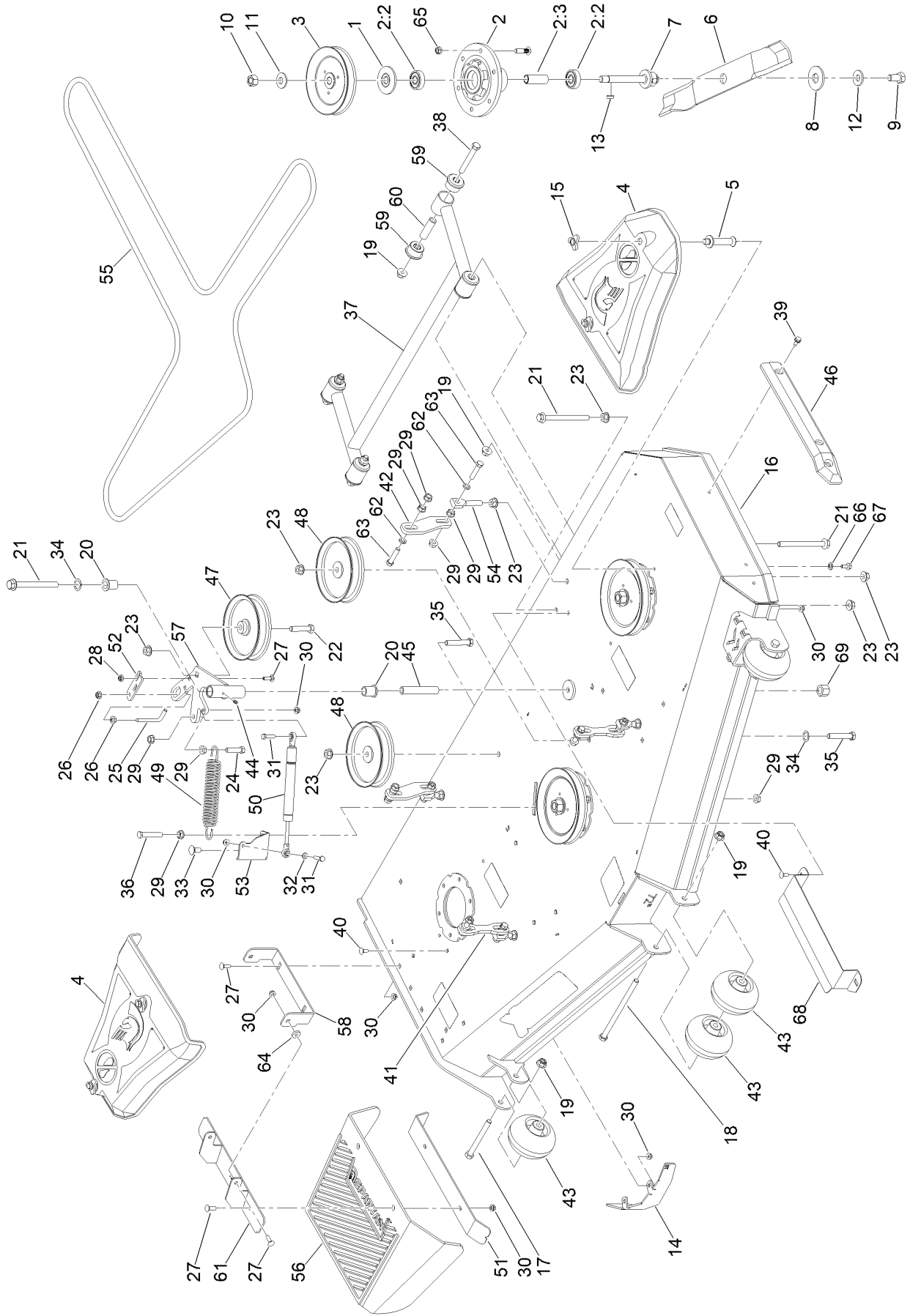


Engine Assembly (continued)

<i>Ref.</i>	<i>Part Number</i>	<i>Qty.</i>	<i>Description</i>	<i>Ref.</i>	<i>Part Number</i>	<i>Qty.</i>	<i>Description</i>
1	1-807259	1	Key	23	439-0244-00-05	1	Mwr Pump Idler Tensioning Brkt
2	413-0002-00	1	Nut-Lock	24	461-0006-00	1	Mwr Pump Belt Xd B X 69.40In Eff Lngth
3	104-2612	4	Nut-HF	25	470-0002-00	1	Warner PTO Clutch
4	148-0222	1	Muffler W/Arrester-6Inod-1.5Intp	26	490-0814-00-05	1	4In Pump Idler Pulley Arm ASM
5	324-7	1	Screw-HH	27	418-0008-00	2	Bolt-CARR
6	418-0113-00	1	3/8-16 X 2 Hex Bolt GR 5 Zinc Yellow	28	418-0062-00	2	5/16-18 X 1-1/4 Carriage Bolt Zc/Yel
7	410-0007-00	2	3/4In ID X15/16In OD X 1-1/8In Flng Bush	29	3253-6	1	Washer-Lock
8	415-0054-00	1	Mwr Chrome Exhaust Tip	30	413-0022-00	6	Nut-HF
9	415-0088-00	1	Kawasaki Fxt1000V-EFI Engr ●	31	32128-37	2	Nut-HF
10	418-0009-00	1	1/2-13 X 5-1/2 Hex Flange Bolt GR 8 Zy	32	32128-49	2	Nut-HHF
11	418-0022-00	1	7/16-20 X 3 Hex C/S GR 8 Zc Yellow	33	112-2844	1	Nut-HF
12	323-50	4	Bolt-HH	34	451-0002-00	36	Mwr Fuel Tank Black 3/16In Vent Tube 1Ft
13	418-0278-00	5	M8-1.25 X 20MM Hex Flange Bolt Zinc 10.9	35	751-1014-00	36	1/4In SAE J30R7 Bulk Hose 1Ft
14	424-0002-00	1	1/4In Drive Type Grease Fitting Yz	36	3290-379	3	Tie-Cable
15	425-0006-00	1	Mwr Inner Idler Spacer	37	472-0004-00	2	1/2In (#8) Hose Clamp
16	425-0007-00	1	Mwr Pulley Spacer	38	418-0280-00	1	5/16-18 X 3/8 Socket Set Screw
17	430-0001-00	1	Mwr Pump Idler Spring Tensioner	39	110-3145	2	Nut-Lock
18	433-0002-00	1	Mwr Hydraulic Pump Drive Pulley (B-Belt)	40	418-0055-00	2	10-24 X 1/2 Socket C/S 18-8 SS
19	433-0012-00	1	4In Diesel And Economy Mwer Idler Pulley	41	464-0006-00	1	Kawasaki EFI Throttle
20	434-0007-00	1	Mwr Deck Spring	42	467-0036-00	1	Kawasaki Fx1000 EFI Vented Cap
21	437-0025-00	1	Mwr Clutch Rotation Stop Brkt Sleeve	43	413-0013-00	1	3/8-16 Nylon Insert Flange L/Nut Yz
22	439-0132-00-05	1	Mwr Clutch Antirotation Brkt Black	44	148-1495	1	Zip Tie-Hose, Clamp
				46	115-1166	4	Washer-Plain

● Obtain parts from www.kawpower.com

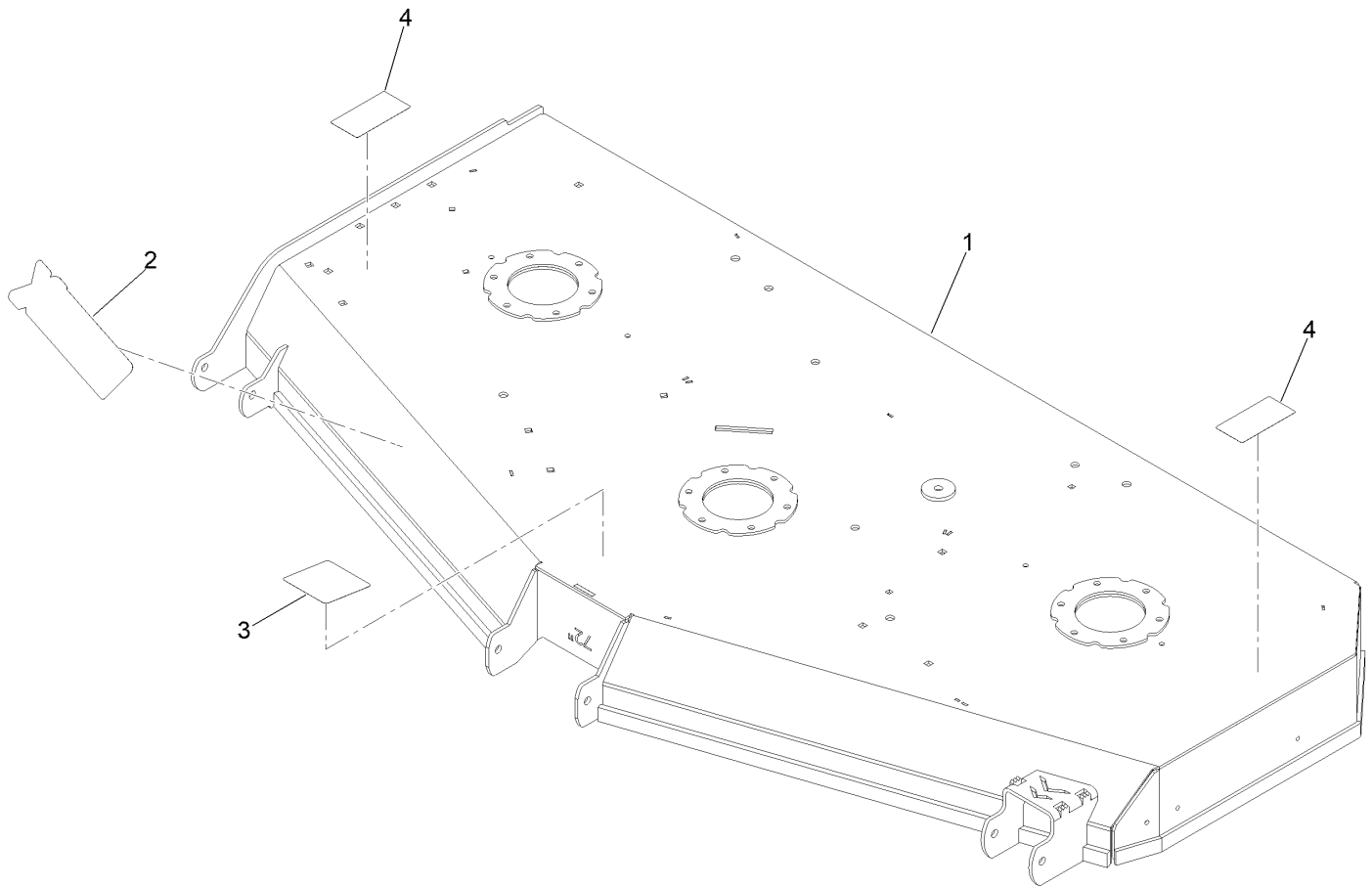
72 Inch Cutting Deck Assembly



72 Inch Cutting Deck Assembly (continued)

<i>Ref.</i>	<i>Part Number</i>	<i>Qty.</i>	<i>Description</i>	<i>Ref.</i>	<i>Part Number</i>	<i>Qty.</i>	<i>Description</i>
1	116-1286	3	Guard,Bearing Top .989	36	418-0013-00	1	Bolt-HH
2	148-0005	3	Spindle ASM 6" Deck	37	490-0015-00-P11	1	72In Deck Frame Stabilizer Assy Painted
2:2	116-0720	2	Bearing-Ball	38	418-0021-00	4	1/2-13 X 3-3/4 Hex C/S (GR.5) Zc/Yel
2:3	148-0026	1	Spacer, Bearing	39	9264964	3	Screw-HWH, Thread Cut
3	148-0032	3	Pulley	40	418-0008-00	4	Bolt-CARR
4	148-0093	2	Cover-Belt	41	435-0007-KT	2	Mwr Deck Susp Link Assy
5	148-0094	4	Pin-Belt Cover	42	435-0011-00-P11	2	72 Rr Height Arm Connecting Link Paint
6	148-0100	3	Blade-Rotary	43	422-0061-00	4	Mwr Anti-Scalp Whl W/O Grease Fitting
7	148-0106	3	Shaft - Spindle	44	424-0002-00	1	1/4In Drive Type Grease Fitting Yz
8	148-0108	3	Washer-Hex	45	425-0006-00	1	Mwr Inner Idler Spacer
9	148-0109	3	M16X1.5-30MM C10.9 Hex Bolt	46	429-0001-00	1	Mwr Nylon Deck Guard
10	148-0111	3	M20X1.5 C8.8 Hex Nut	47	433-0014-00	1	6-3/4In Idler Pulley 7/16In Spacer ASM
11	148-0113	3	M20 Spring Washer (44.5Mmod/ 3.3MM THK)	48	433-0015-00	2	6-3/4In Idler Pulley 15/16In Spacer Assy
12	148-0114	3	M16 Spring Washer (39Mmod/ 3.9MM THK)	49	434-0007-00	1	Mwr Deck Spring
13	148-0118	3	6MM X 6MM X 20MM Rounded Machine Key	50	434-0009-00	1	Idler Gas Spring
14	148-0209-05	1	Baffle-Wiper 72 Painted Black	51	439-0190-00-P11	1	2020 Deck Chute Hinge Backer Brkt Paint
15	148-0234	4	Nut-Knob	52	439-0257-00-P11	1	Deck Idler Pulley Belt Retnr Brkt Paint
16	148-0788	1	ASM-Deck W/Decals	53	439-0335-00-P11	1	Deck Belt Idler Damper Mtg Brkt Painted
17	418-0016-00	2	Screw-HH	54	448-0001-00	4	Mwr Deck Height Adjustment Stud
18	418-0015-00	1	1/2-13 X 8-1/2 Hex C/S GR 2 Zinc Yellow	55	461-0003-00	1	72 Deck Belt
19	413-0002-00	7	Nut-Lock	56	481-0011-00	1	2020 Rt/Srt Rubber Discharge Chute
20	410-0007-00	2	3/4In ID X15/16In OD X 1-1/8In Flng Bush	57	490-0019-00-P11	1	Mwr Deck Idler Pulley Arm Assy Paint
21	418-0009-00	3	1/2-13 X 5-1/2 Hex Flange Bolt GR 8 Zy	58	439-0111-00-P11	1	Mwr Chute Mtg Brkt Painted
22	325-9	1	Screw-HH	59	732-2000-00	8	Red A80 Susp Bushing
23	32128-49	15	Nut-HHF	60	732-2001-00	4	UTV A-Arm Bushing Sleeve
24	324-7	1	Screw-HH	61	490-0056-00-P11	1	Rt/Srt Deck Chute Hinge Assy Paint
25	148-1137	1	Bolt-L	62	419-0010-00	4	.443 ID X .749 OD X .125 THK Nylon Black
26	413-0020-00	2	3/8-16 Hex Flange Nut W/Serr Zinc Yellow	63	324-8	4	Screw-HH
27	418-0060-00	8	5/16-18 X 1 Carriage Bolt GR 8 Yz	64	419-0006-00	2	.312 ID X .875OD X .1875 THK F/W NYL
28	413-0022-00	2	Nut-HF	65	413-0029-00	18	Nut-Hex
29	32128-37	13	Nut-HF	66	3253-4	4	Washer-Lock
30	413-0027-00	12	Nut-HF, NI	67	116-7230	4	Screw-HHF
31	322-47	2	Screw-HH	68	148-0210-05	1	Bracket-Cover 72
32	413-0016-00	1	.312Idx.625Odx.062 THK Thrust Brg Oi Brz	69	3296-23	1	Nut-Lock, NI
33	3232-1	1	Screw-CARR				
34	418-0110-00	1	.767Idx1.125Odx.016 THK Trip Wv Washer				
35	418-0246-00	2	1/2-13 X 2-3/4 Hex Flange Bolt (GR.8) Yz				

Deck Decal Assembly No. 148-0788

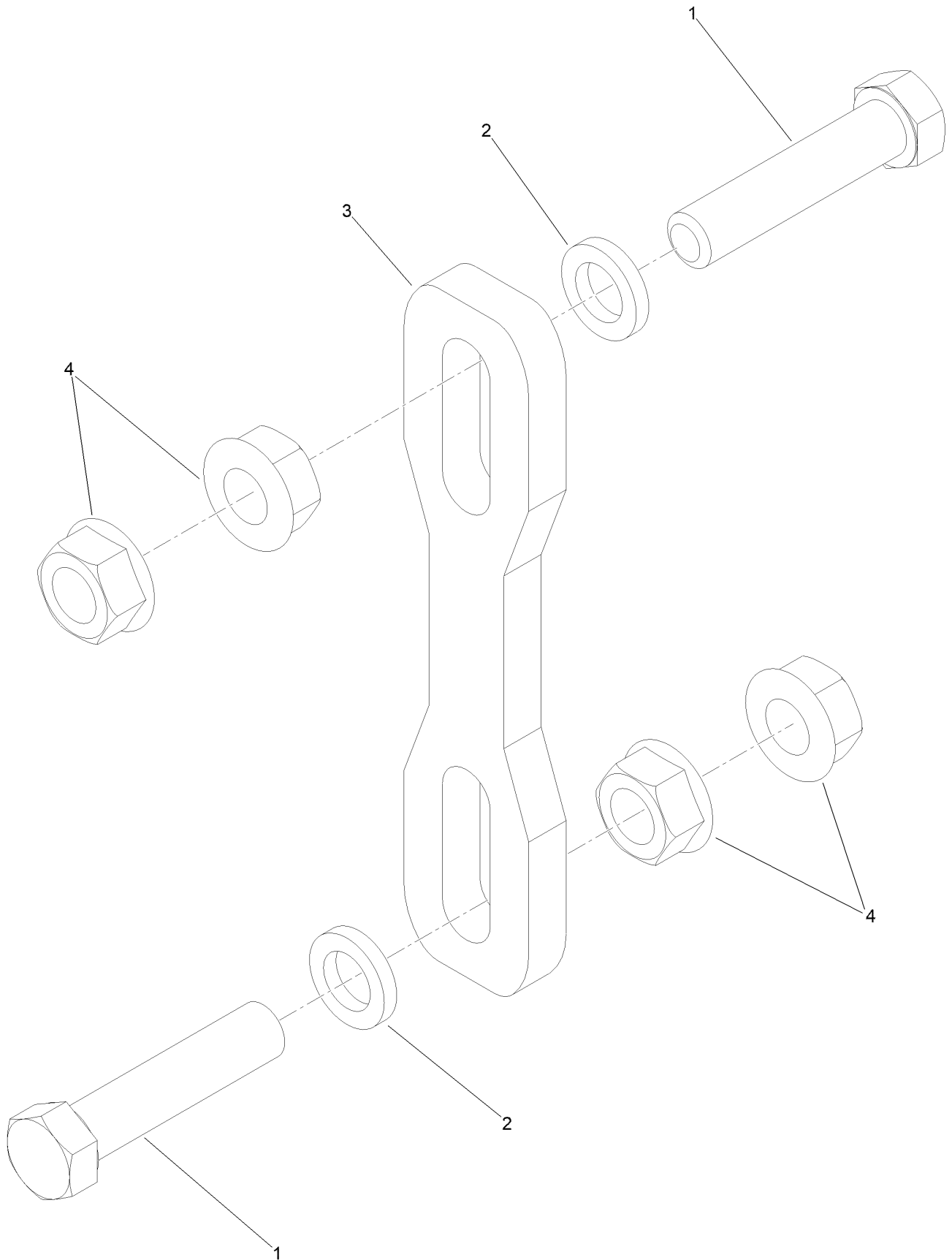


Deck Decal Assembly No. 148-0788 (continued)

<i>Ref.</i>	<i>Part Number</i>	<i>Qty.</i>	<i>Description</i>	<i>Ref.</i>	<i>Part Number</i>	<i>Qty.</i>	<i>Description</i>
1		1	Deck ASM-72 Painted ●	3	148-1479	1	Decal-Belt Routing
2	148-0860	1	Decal-Deck, 72-Xft	4	161-6620	2	Decal-Danger, Deck

● Not serviced separately

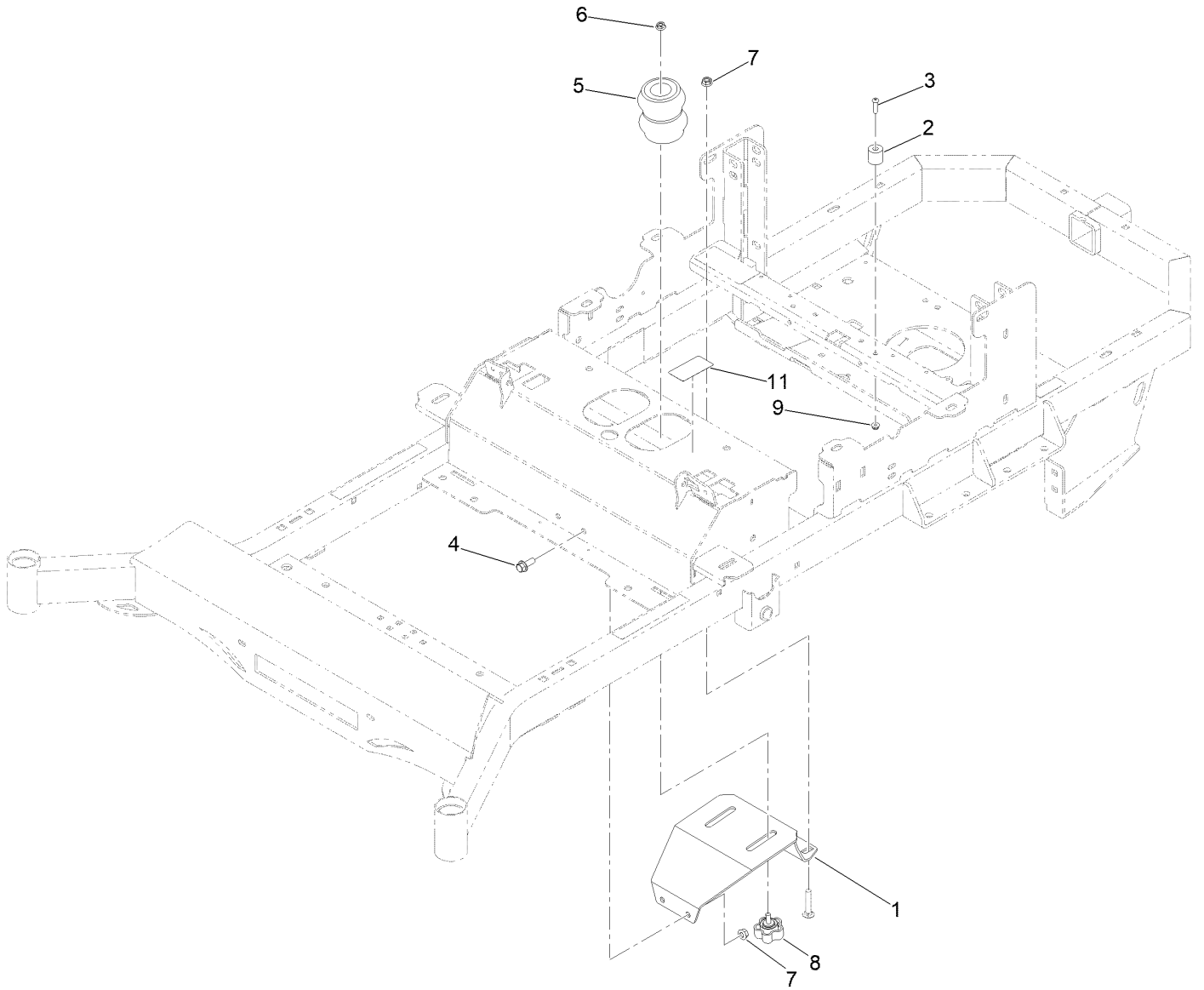
Deck Suspension Link Assembly No. 435-0007-KT



Deck Suspension Link Assembly No. 435-0007-KT (continued)

<i>Ref.</i>	<i>Part Number</i>	<i>Qty.</i>	<i>Description</i>	<i>Ref.</i>	<i>Part Number</i>	<i>Qty.</i>	<i>Description</i>
1	435-0007-00-P11	1	Mwr Deck Susp Link Paint	3	419-0010-00	2	.443 ID X .749 OD X .125
2	324-8	2	Screw-HH				THK Nylon Black
				4	32128-37	4	Nut-HF

Seat Suspension Assembly



Seat Suspension Assembly (continued)

<i>Ref.</i>	<i>Part Number</i>	<i>Qty.</i>	<i>Description</i>	<i>Ref.</i>	<i>Part Number</i>	<i>Qty.</i>	<i>Description</i>
1	490-0021-00-05	1	Mwr Seat Susp Brkt Black	7	413-0020-00	2	3/8-16 Hex Flange Nut W/Serr Zinc Yellow
2	729-1000-00	2	Hood Rest Rubber Bumper	8	445-0006-00	2	5/16-18X3/4 SI 5-Lobe Male Knob 1.90 DIA
3	418-0039-00	2	1/4-20 X 1 Button Socket C/S 18-8 SS	9	104-7201	2	Nut-HF, NI
4	131-2220	2	Screw-HHF	11	148-0857	1	Decal-Weight, Seat
5	487-0003-00	2	Srt Rr Susp And Seat Ft Elastomer Tcb-3				
6	413-0024-00	2	5/16-18 Hex Serrated Lg Flange L/Nut Zc				

