



RZ-XD Blackout 60in Mower

Model No. RSZB3160FX801—Serial No. 420000000 and Up

Parts Catalog



Ordering Replacement Parts

To order replacement parts, please supply the part number, the quantity, and the description of each part desired.

Understanding Reference Numbers

Each identified part in an illustration has a reference number. The reference number for a part also appears in the parts list, along with other information about the part.

This catalog uses two special reference number formats, one to indicate parts in a service assembly and another to indicate the quantity of a given part in an illustration.

Service Assembly Reference Numbers

Parts in service assemblies have reference numbers in the form a:b. The a represents the reference number of the entire service assembly and the b represents a sequential number unique to each part within the service assembly.

For example, a wheel assembly might be identified by reference number 6, the tire by 6:1, the valve by 6:2, and the wheel by 6:3. When you order the assembly identified by reference number 6, you receive all parts identified by reference numbers 6:1, 6:2, and 6:3. However, you may also order any part individually. Reference numbers of this type appear in illustration and in parts lists.

Reference Numbers Indicating Quantity

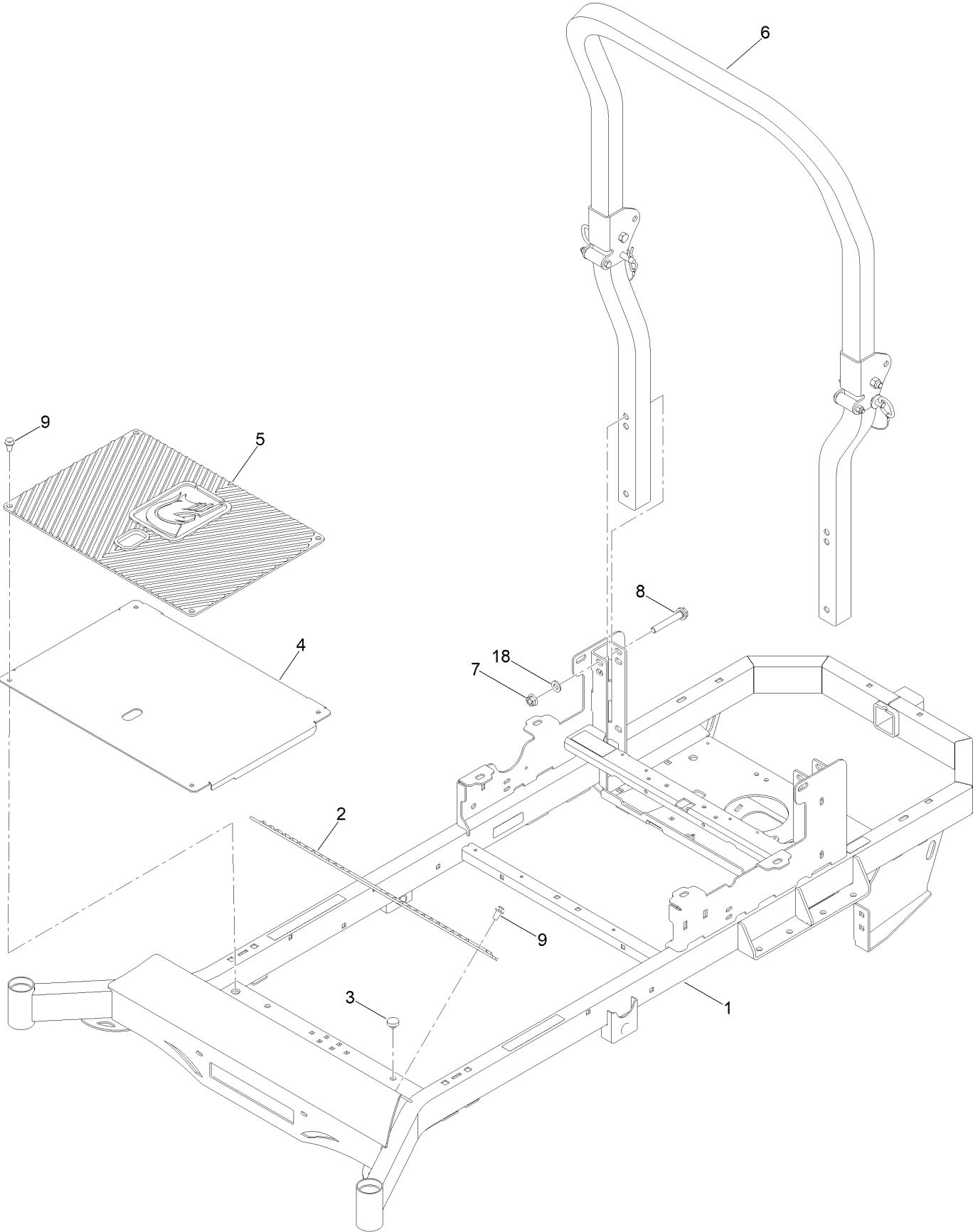
In an illustration, if a reference number indicates more than one part, the reference number has the form nX y. The n represents the quantity of the part, the X is the multiplication symbol, and the y represents the reference number.

For example, in an illustration, the reference number 2X 37 means that two of the parts identified by reference number 37 are indicated.

Contents

Main Frame Assembly	4
Frame with Decals Assembly No. 148-0998	6
Transmission Assembly	8
Body Styling Assembly	10
Fuel Tank Assembly	12
Fuel Tank Assembly No. 467-0001-00	14
Seat Assembly	16
Motion Control and Parking Brake Assembly	18
Caster Tire Assembly	20
Drive Wheel Assembly	22
Electrical Assembly	24
Decklift Assembly	26
HOC Pin Assembly No. 148-1450	28
Engine Assembly	30
60 Inch Cutting Deck Assembly	32
Deck Decal Assembly No. 148-0980	34
Seat Suspension Assembly	36

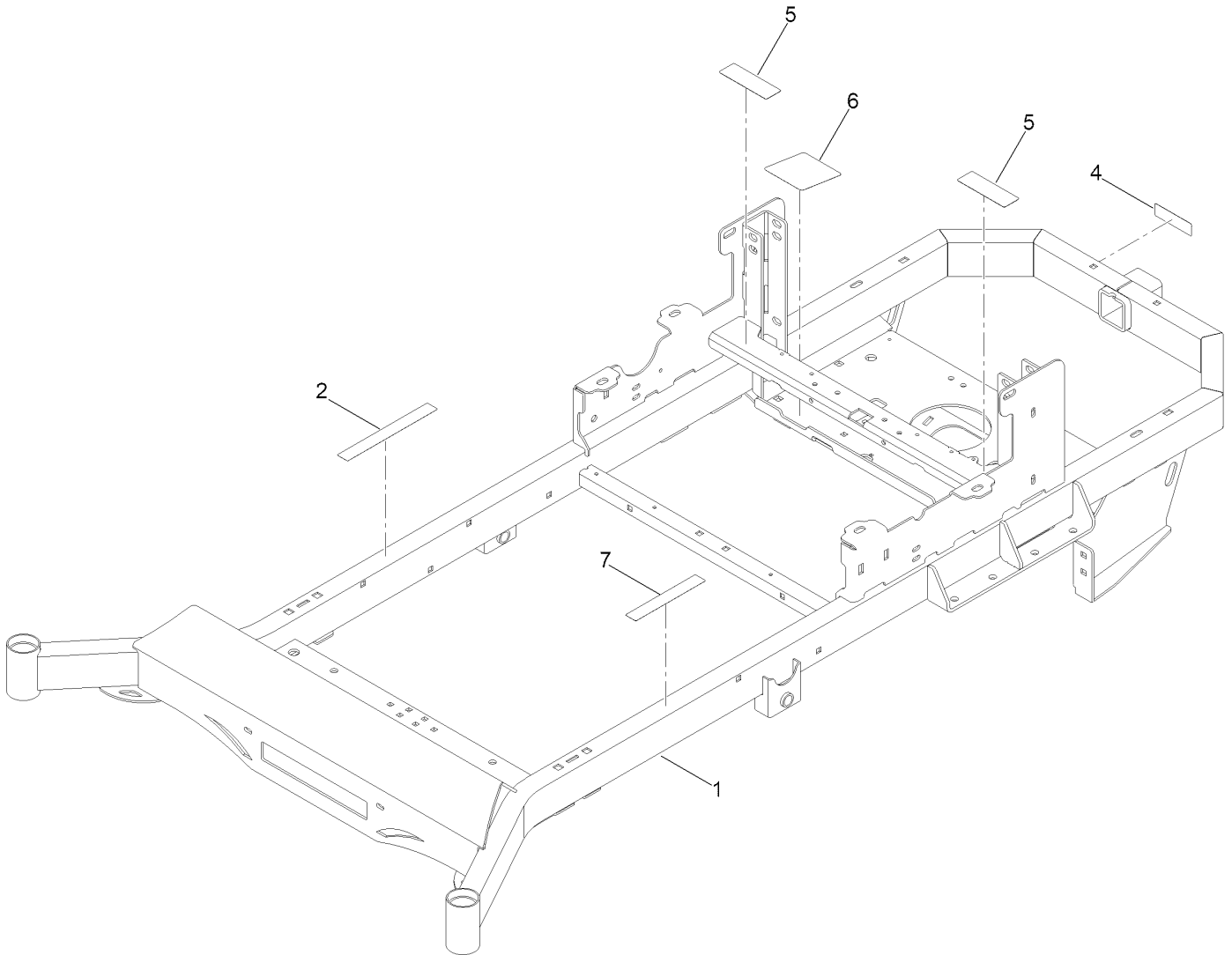
Main Frame Assembly



Main Frame Assembly (continued)

<i>Ref.</i>	<i>Part Number</i>	<i>Qty.</i>	<i>Description</i>	<i>Ref.</i>	<i>Part Number</i>	<i>Qty.</i>	<i>Description</i>
1	148-0998	1	Frame ASM-Decals	7	413-0014-00	4	1/2-13 Hex Stover Locknut GR C Zinc
2	481-0005-00	1	Mwr Rubber Foot Rest Mat	8	418-0019-00	4	Bolt-HF
3	429-0002-00	2	Push-In Rubber Bumper	9	414-0002-00	10	8MM Push Type Retainer Nylon Black
4	439-0007-00-05	1	Mwr Floorboard Black	18	106-9888	4	Washer-Flat
5	481-0006-00	1	Mwr Logo Floor Mat				
6	148-0233	1	ROPS				

Frame with Decals Assembly No. 148-0998

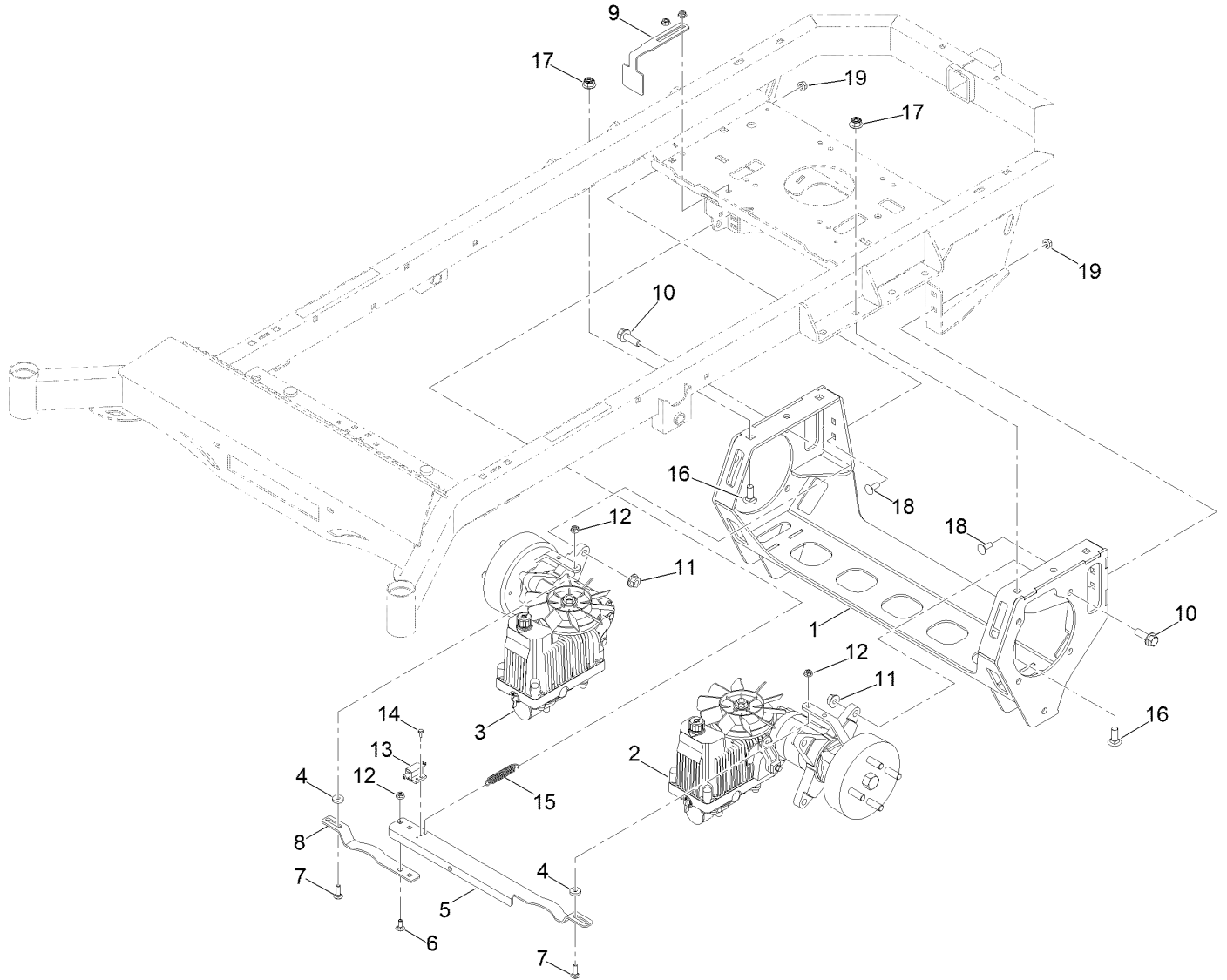


Frame with Decals Assembly No. 148-0998 (continued)

<i>Ref.</i>	<i>Part Number</i>	<i>Qty.</i>	<i>Description</i>	<i>Ref.</i>	<i>Part Number</i>	<i>Qty.</i>	<i>Description</i>
1		1	Frame-Ztr ●	5	148-1308	2	Decal-Warn Rotating Device
2	148-1095	1	Decal-Warning	6	148-1480	1	Decal-Belt Routing
4	147-7364	1	Decal-Hitch	7	148-1094	1	Decal-Warning

● Not serviced separately

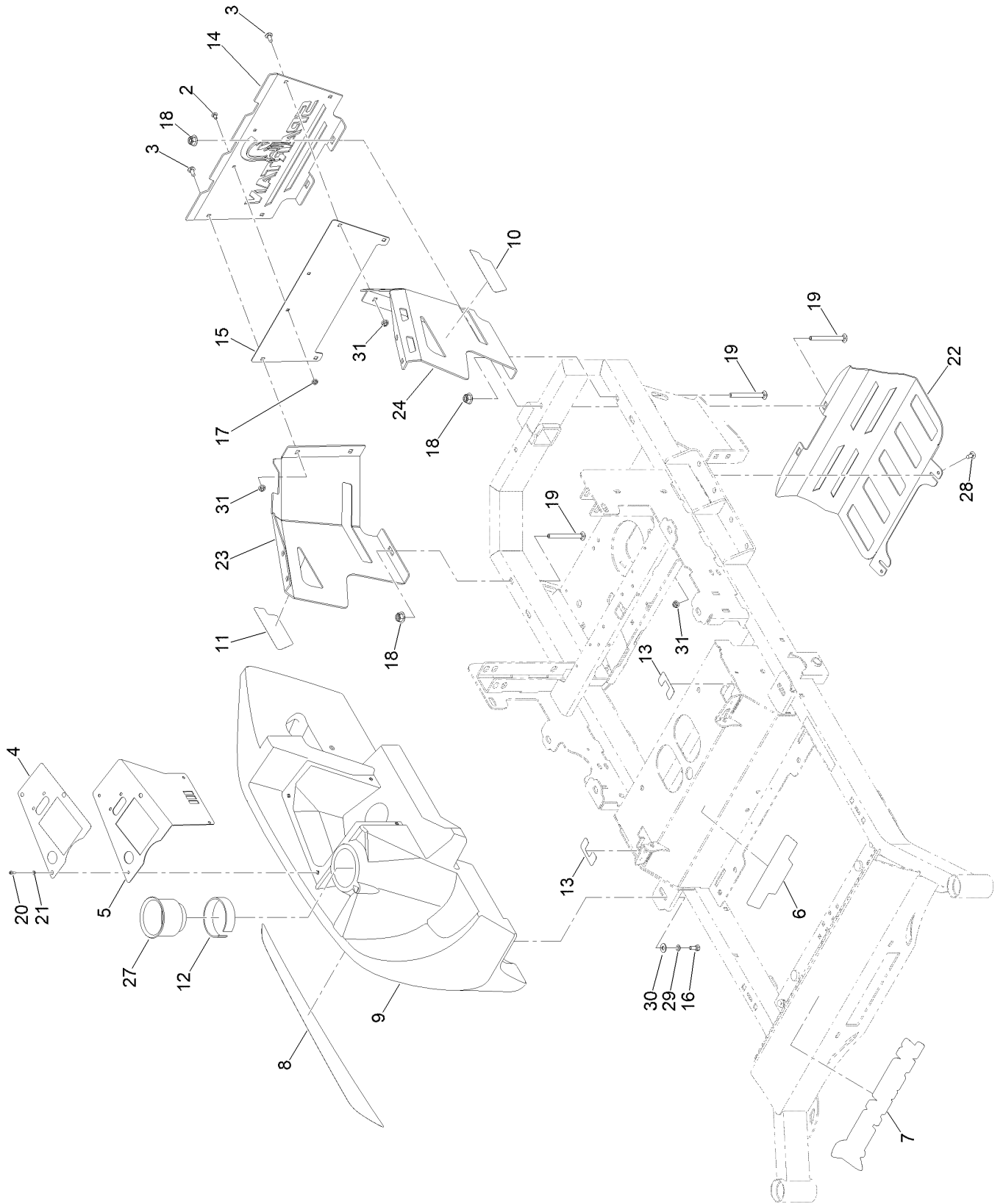
Transmission Assembly



Transmission Assembly (continued)

<i>Ref.</i>	<i>Part Number</i>	<i>Qty.</i>	<i>Description</i>	<i>Ref.</i>	<i>Part Number</i>	<i>Qty.</i>	<i>Description</i>
1	148-0985-05	1	Hydro Frame ASM	10	100-6116	8	Screw-HHF
2	450-0009-00	1	Hte10 Lt Side Hydrost Transm For Rz Hub	11	32128-49	8	Nut-HHF
3	450-0010-00	1	Hte10 Rt Side Hydrost Transm For Rz Hub	12	413-0027-00	4	Nut-HF, NI
4	419-0006-00	2	.312 ID X .875OD X .1875 THK F/W NYL	13	486-0030-00	1	No Plunger Limit Switch
5	439-0607-00-05	1	Mwr Park Brake Brkt Lt Paintd Black	14	418-0032-00	2	8-32 X 1/2 Ind. HWH Slot Type F Tcs Zinc
6	418-0008-00	2	Bolt-CARR	15	434-0003-00	1	Mwr Brake Pedal Release Spring
7	418-0010-00	2	Bolt-CARR	16	148-1262	4	Screw-CARR,Patch
8	439-0606-00-05	1	Mwr Park Brake Brkt Rt Painted	17	413-1005-00	4	1/2-13 Hex Flange 2-Way Rev Cntr L/Nyz
9	439-0066-00-05	1	Stand Transm Brake Interlock Brkt Black	18	418-0045-00	4	3/8-16 X 1 Carriage Bolt Yz GR.8
				19	413-0029-00	4	Nut-Hex

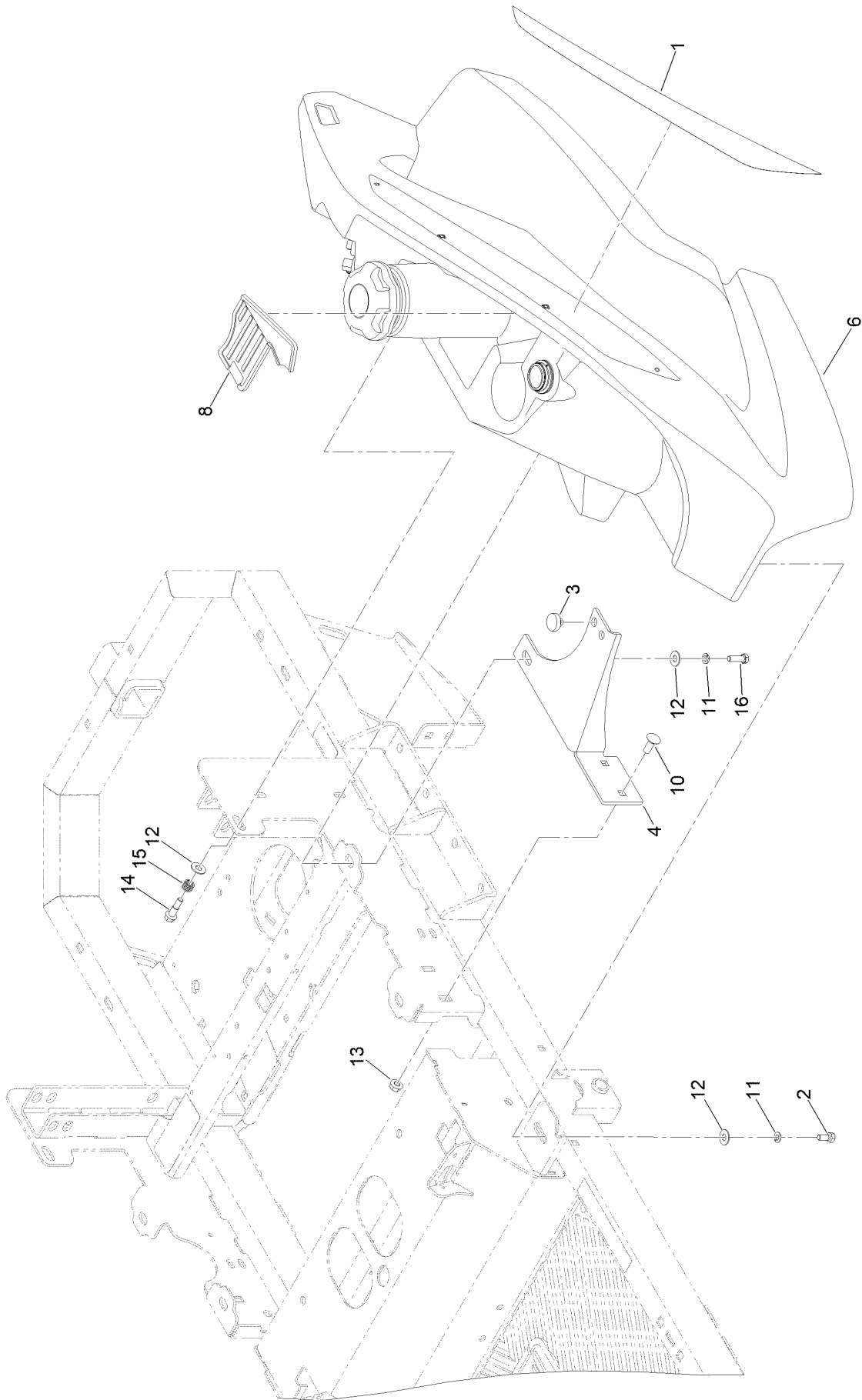
Body Styling Assembly



Body Styling Assembly (continued)

<i>Ref.</i>	<i>Part Number</i>	<i>Qty.</i>	<i>Description</i>	<i>Ref.</i>	<i>Part Number</i>	<i>Qty.</i>	<i>Description</i>
2	116-5879	2	Screw-CARR	18	413-0013-00	4	3/8-16 Nylon Insert Flange L/Nut Yz
3	144-2265	4	Bolt-CARR	19	418-0018-00	4	3/8-16 X 4 Carriage Bolt Zinc
4	148-0229	1	Decal-Console	20	418-0055-00	4	10-24 X 1/2 Socket C/S 18-8 SS
5	148-1240-05	1	Bracket-Control Panel	21	419-0011-00	4	#10 Split Lockwasher 18-8 SS
6	148-1162	1	Decal- Gt Trac	22	148-1172-05	1	Muffler Guard [blk-Txt]
7	148-0255	1	Decal- Spartan Blackout Logo	23	439-0691-00-05	1	2021 Rt/Srt Engine Cowling Right
8	148-0258	1	Decal-Pod RH	24	439-0692-00-05	1	2021 Rt/Srt Engine Cowling Left
9	148-0307	1	Console W/ Cupholder	27	780-2220-00	1	Cup Holder
10	148-1163	1	Decal- Model	28	418-0049-00	2	Bolt-HWH
11	148-1164	1	Decal- Model	29	3253-4	4	Washer-Lock
12	148-0770	1	Tape-Foam	30	419-0007-00	4	Washer-Flat
13	148-1056	1	Decal-Motion Control	31	413-0022-00	4	Nut-HF
14	148-1067-05	1	Plate - Engine Cowling				
15	148-1068-P12	1	Plate -Backer Plate				
16	418-0054-00	4	Screw-HH				
17	413-0023-00	2	1/4-20 Hex Flange Nut W/Serr Zinc				

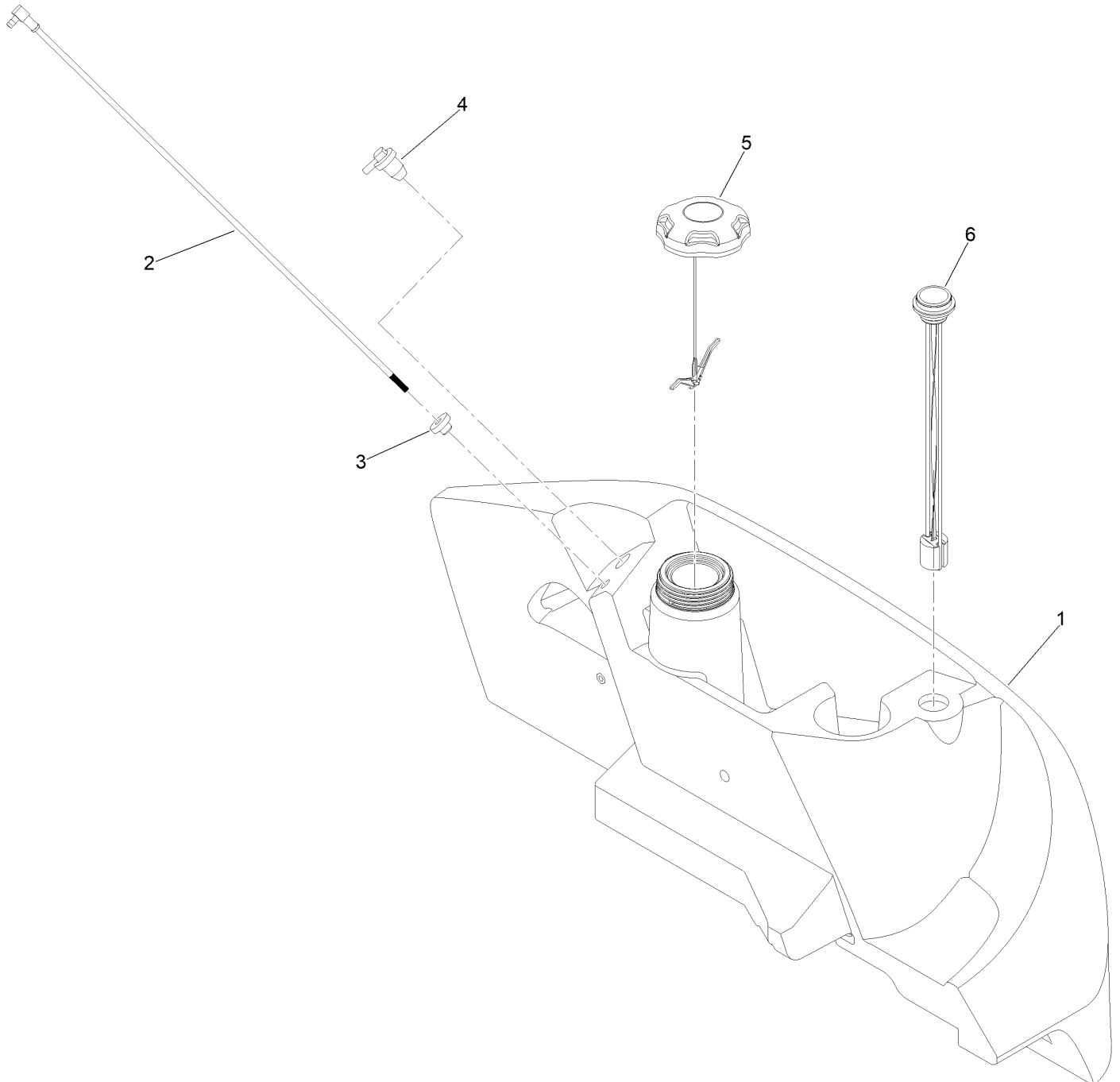
Fuel Tank Assembly



Fuel Tank Assembly (continued)

<i>Ref.</i>	<i>Part Number</i>	<i>Qty.</i>	<i>Description</i>	<i>Ref.</i>	<i>Part Number</i>	<i>Qty.</i>	<i>Description</i>
1	148-0257	1	Decal-Pod LH	11	3253-4	3	Washer-Lock
2	418-0054-00	2	Screw-HH	12	419-0007-00	4	Washer-Flat
3	429-0002-00	2	Push-In Rubber Bumper	13	413-0020-00	2	3/8-16 Hex Flange Nut W/Serr Zinc Yellow
4	148-0478-05	1	Bracket-Tank Support	14	418-0287-00	1	Screw-Shoulder,HHF
6	467-0001-00	1	Mwr Gasoline Fuel Tank Assy	15	434-0020-00	1	Spring-Compression
8	481-0004-00	1	Rubber Tank Storage Compartment Insert	16	418-0108-00	1	Screw-HH
10	418-0045-00	2	3/8-16 X 1 Carriage Bolt Yz GR.8				

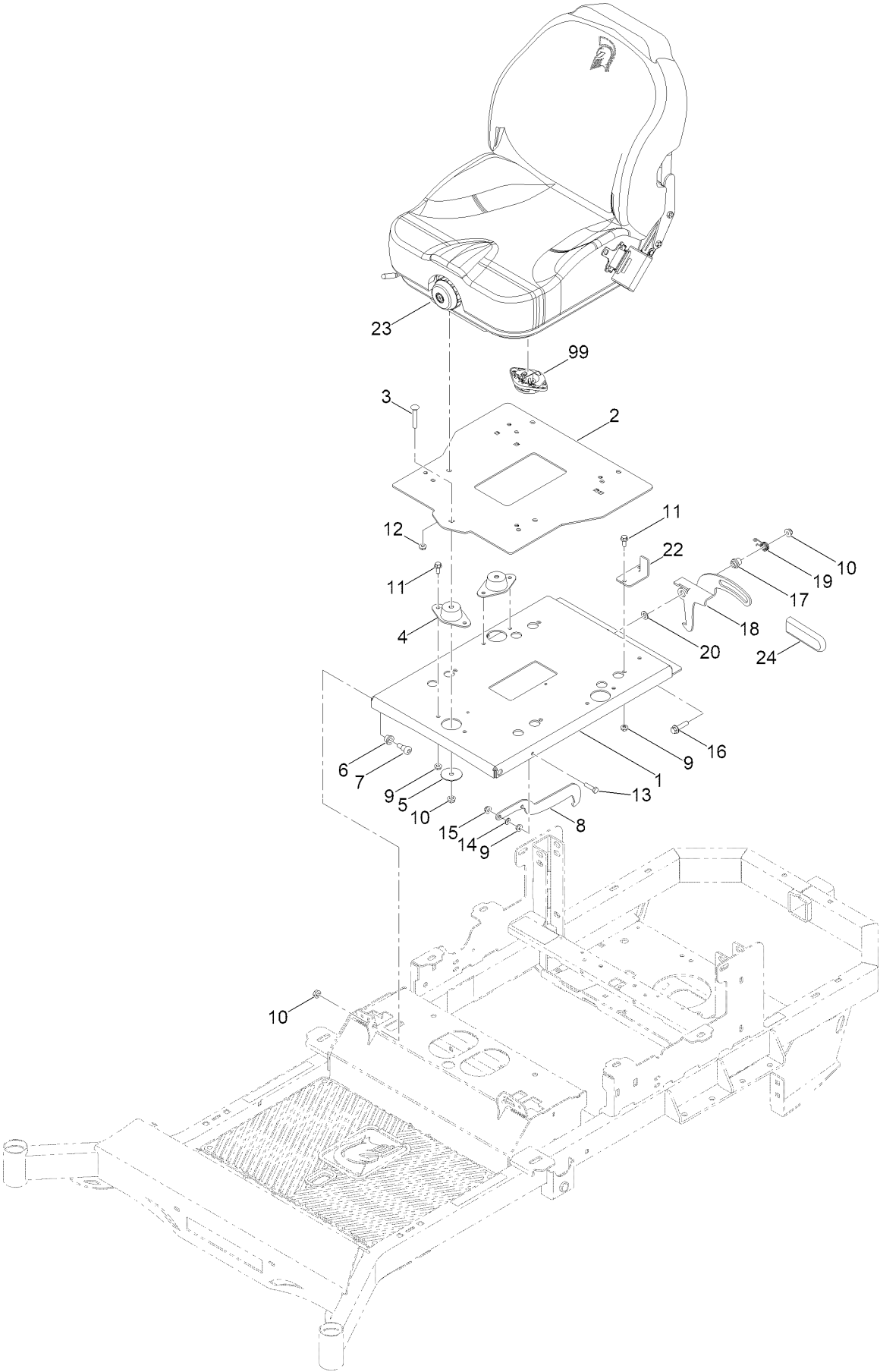
Fuel Tank Assembly No. 467-0001-00



Fuel Tank Assembly No. 467-0001-00 (continued)

<i>Ref.</i>	<i>Part Number</i>	<i>Qty.</i>	<i>Description</i>	<i>Ref.</i>	<i>Part Number</i>	<i>Qty.</i>	<i>Description</i>
1	467-0011-00	1	Rz Fuel Pickup Tube (Solar Tank)	4	467-0006-00	1	Remote Tank Vent Valve W/Grommet
2	467-0012-00	1	25.14In Fuel Pickup Tube W/Filter Screen	5	467-0008-00	1	Kelch Tank Fill Neck Non-Ventcap(204541)
3	467-0005-00	1	Fuel Pickup Tube Gromm Nitrdapco 10672	6	467-0035-00	1	Rt/Srt Rochester Fuel Gauge

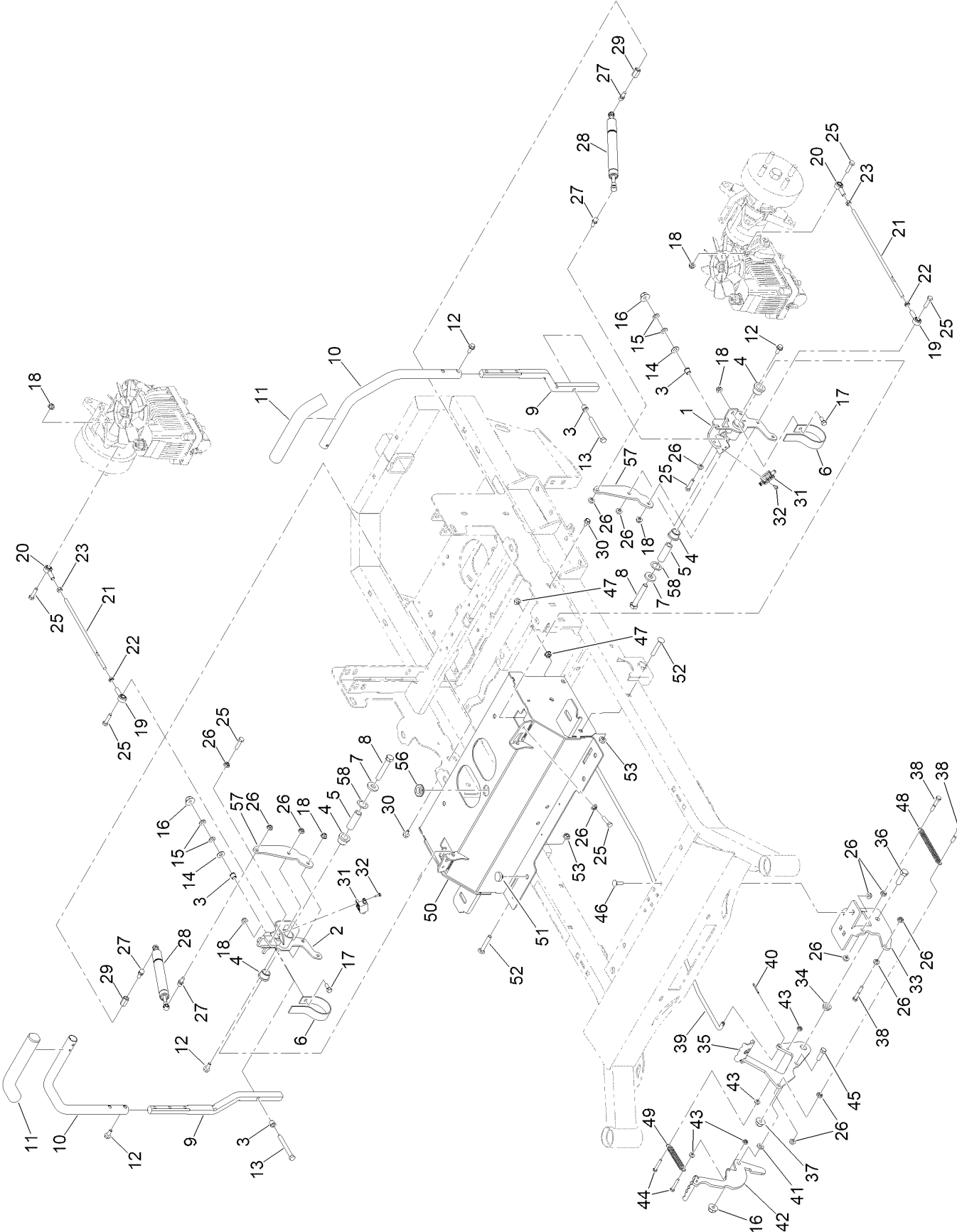
Seat Assembly



Seat Assembly (continued)

<i>Ref.</i>	<i>Part Number</i>	<i>Qty.</i>	<i>Description</i>	<i>Ref.</i>	<i>Part Number</i>	<i>Qty.</i>	<i>Description</i>
1	148-1008-05	1	Plate-Seat, No360	13	322-47	1	Screw-HH
2	426-0233-00-05	1	2019 Upgrade Seat Plate	14	413-0016-00	1	.312Idx.625Odx.062 THK Thrust Brg Oi Brz
3	618-2023-00	3	Screw-CARR	15	413-0027-00	1	Nut-HF, NI
4	487-0007-00	3	Floating Seat Damper-Stiffer	16	323-9	1	Screw-HH
5	419-0022-00	3	3/8 X 2In OD Fender Washer Yz	17	107-0075	1	Bushing-Latch, Seat
6	410-0010-00	2	1/2In ID X 5/8In OD X 1/2In Flange Bush	18	148-0953	1	Bracket-Latch
7	418-0038-00	2	1/2 X 1/2 Socket Shoulder Bolt Zc Yellow	19	126-8923	1	Spring-Torsion, Latch
8	439-0065-00-05	1	Mwr Seat Latch Hook Black	20	138-7207	1	Spacer-Hub, Blower
9	413-0022-00	9	Nut-HF	22	148-1305-05	1	Bkt-Stop, Slide
10	413-0029-00	6	Nut-Hex	23	148-0247	1	Seat-Susp
11	116-7230	8	Screw-HHF	24	484-0002-00	1	Stand Up Mwr Brake Arm Grip
12	413-0019-00	4	5/16-18 Nylon Insert Flange L/Nut Zc	99	486-0036-00	1	Mwr Seat Switch

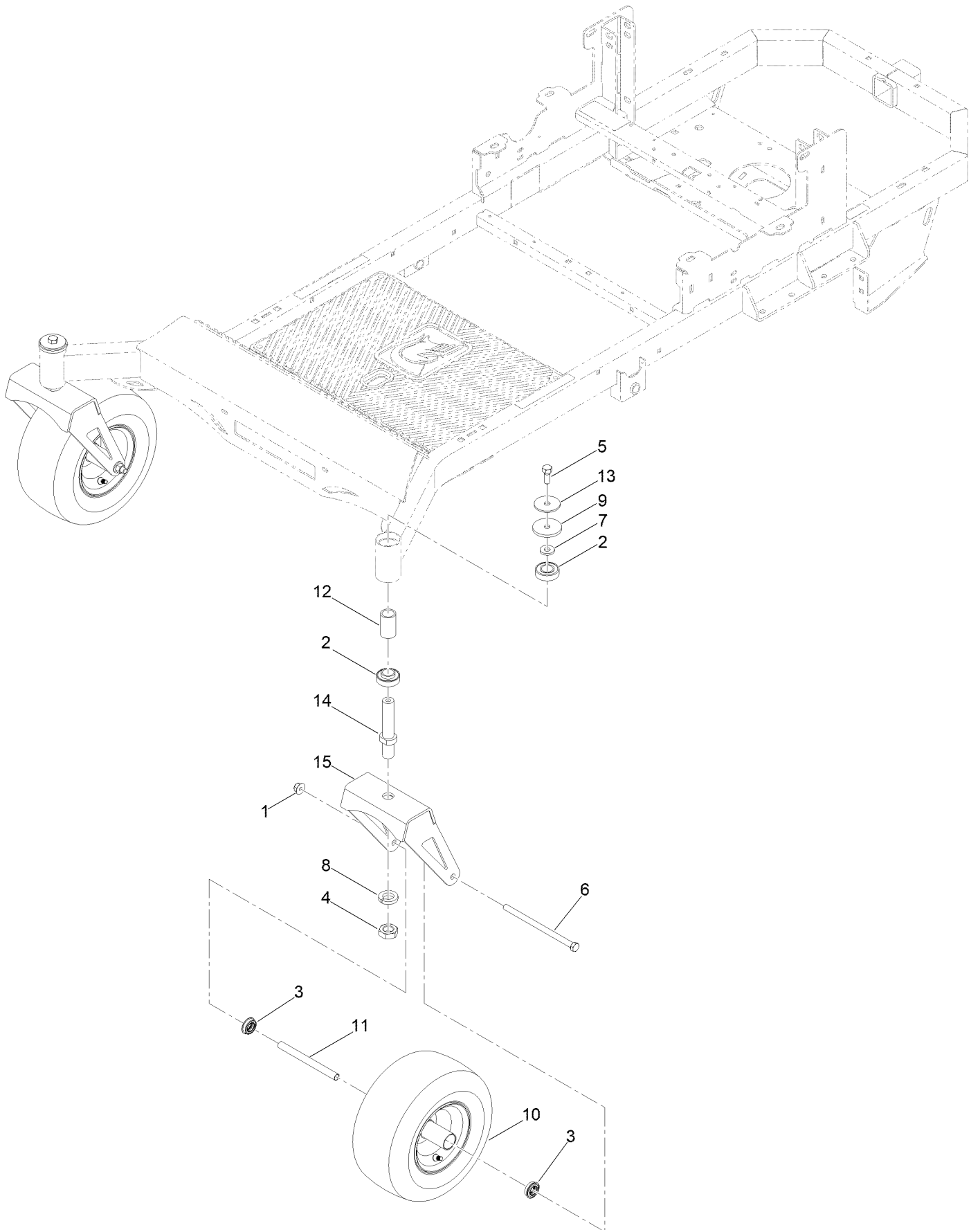
Motion Control and Parking Brake Assembly



Motion Control and Parking Brake Assembly (continued)

<i>Ref.</i>	<i>Part Number</i>	<i>Qty.</i>	<i>Description</i>	<i>Ref.</i>	<i>Part Number</i>	<i>Qty.</i>	<i>Description</i>
1	148-0888-05	1	LH Pivot ASM	31	486-0030-00	2	No Plunger Limit Switch
2	148-0889-05	1	RH Pivot ASM	32	418-0032-00	4	8-32 X 1/2 Ind. HWH Slot Type F Tcs Zinc
3	148-0886	4	Bushing-Flange	33	439-0009-00-05	1	Mwr Frame Brake Mtg Brkt Black
4	148-0897	4	Bushing-Flange	34	410-0009-00	1	1/2In ID X 3/4In OD X 3/8In Flange Bush
5	148-0885	2	Sleeve-Pivot	35	490-0016-00-05	1	Mwr Brake Lock Lever ASM
6	109-5575	2	Spring-Leaf	36	139-2631	1	Screw-HH
7	419-0003-00	2	1/2 Fender Washer 1-1/4In OD Zinc	37	413-0002-00	1	Nut-Lock
8	418-0050-00	2	1/2-13 X 3 Hex C/S GR 5 Zinc W/Loctite	38	418-0027-00	3	Bolt-HH
9	431-0001-00	2	Height Adjustable Control Arm	39	435-0004-00	1	Mwr Brake Linkage
10	403-0020-10-05	2	Mower Drive Handle Tube Abc	40	3272-11	1	Pin-Cotter
11	484-0001-00	2	Control Arm Handle Grip	41	413-0052-00	1	3/8 ID X 3/4 OD X .125 THK Bronze Washer
12	116-7230	6	Screw-HHF	42	490-0017-00-05	1	Mwr Brake Unlock Lever Assy Black
13	323-20	2	Screw-HH	43	413-0012-00	4	1/4-20 Hex Flange Nut
14	419-0007-00	2	Washer-Flat	44	418-0029-00	2	1/4-20 X 1-1/4 Hex C/S GR 2 Zinc
15	148-1012	4	Washer-Belleville	45	323-7	1	Screw-HH
16	413-0013-00	3	3/8-16 Nylon Insert Flange L/Nut Yz	46	418-0010-00	3	Bolt-CARR
17	418-0054-00	2	Screw-HH	47	413-0020-00	2	3/8-16 Hex Flange Nut W/Serr Zinc Yellow
18	413-0027-00	6	Nut-HF, NI	48	434-0015-00	1	2020 Mwr Brake Pedal Tension Spring
19	410-0070-00	2	5/16-24 Spher Rod End Zinc LH Thd Fem	49	434-0003-00	1	Mwr Brake Pedal Release Spring
20	410-0071-00	2	5/16-24 Spher Rod End Zinc RH Thd Fem	50	148-0911-05	1	Gt-Trac ASM
21	435-0033-00	2	1310 Ttq Drive Arm Rod	51	429-0002-00	2	Push-In Rubber Bumper
22	3220-20	2	Nut-Jam	52	618-2023-00	4	Screw-CARR
23	09207	2	Nut	53	413-0029-00	4	Nut-Hex
25	322-47	8	Screw-HH	56	240-6	1	Grommet-Rubber
26	413-0022-00	17	Nut-HF	57	148-1492-05	2	Plate-Damper
27	487-0005-00	4	5/16-18X1.286 Damper Ball Stud (.562 TI)	58	418-0110-00	2	.767Idx1.125Odx.016 THK Trip Wv Washer
28	487-0001-00	2	Control Arm Damper				
29	613-0065-00	2	Standoff-Hex				
30	3234-28	2	Screw-HHF				

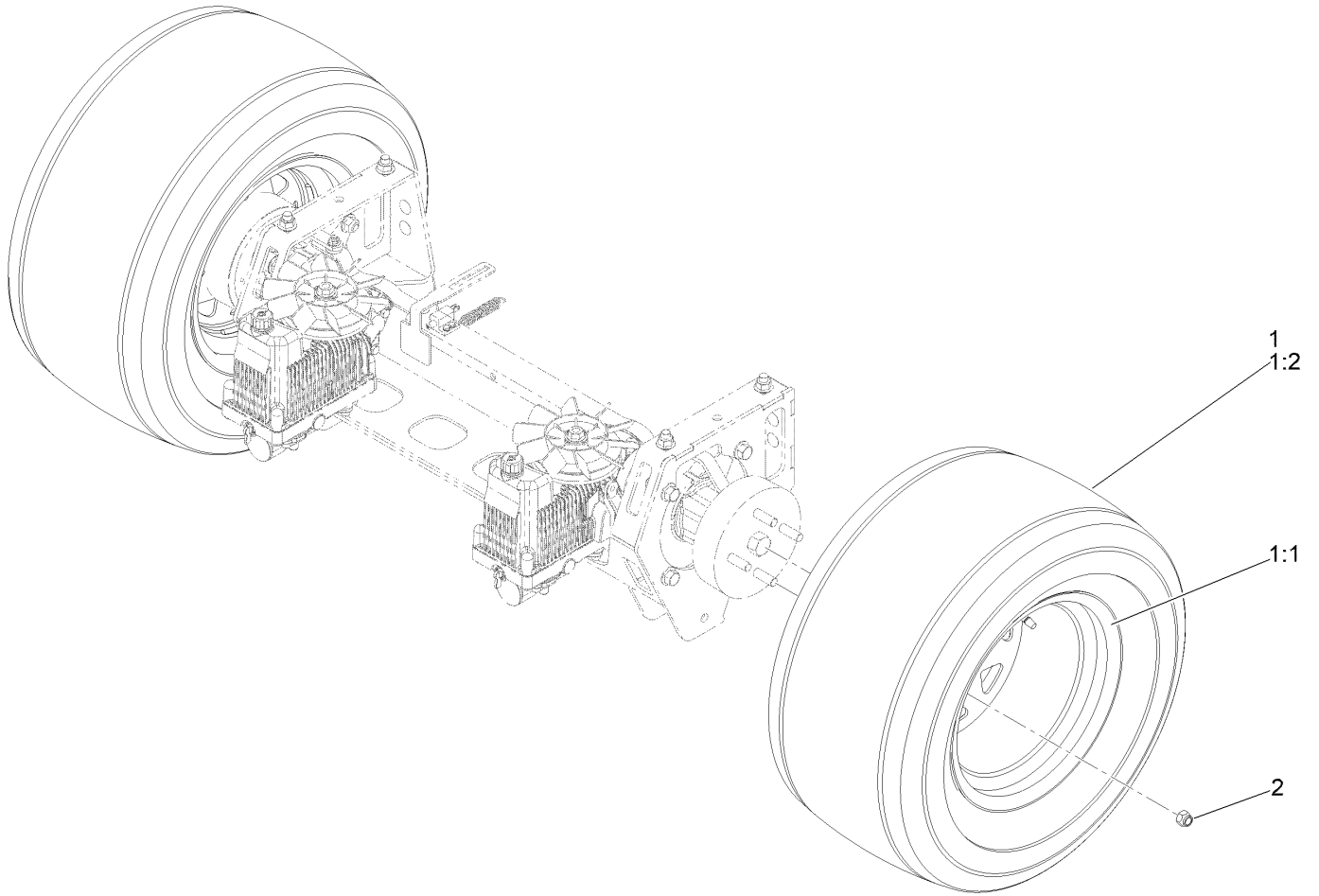
Caster Tire Assembly



Caster Tire Assembly (continued)

<i>Ref.</i>	<i>Part Number</i>	<i>Qty.</i>	<i>Description</i>	<i>Ref.</i>	<i>Part Number</i>	<i>Qty.</i>	<i>Description</i>
1	413-0002-00	2	Nut-Lock	9	419-0025-00	2	Ft Hub Plastic Washer
2	103-3540	4	Bearing-Ball	10	422-0027-00	2	Rz/Rt Pro Ft Tire Assy-Smooth Tread
3	410-0018-00	4	Rz Ft Wheel Bearing	11	425-0010-00	2	Mwr Ft Wheel Spanner
4	413-0063-00	2	Nut-Hex	12	425-0011-00	2	Caster Fork Shaft Bearing Spacer
5	418-0002-00	2	1/2-20 X 1-1/4 Hex Flange Bolt GR 8 Yz	13	426-0006-00-05	2	Mwr Caster Shaft Washer Black
6	418-0003-00	2	1/2-13 X 8-1/2 Hex C/S GR 5 Zinc Yellow	14	437-0019-00	2	Mwr Caster Shaft
7	419-0003-00	2	1/2 Fender Washer 1-1/4In OD Zinc	15	490-0046-00-05	2	Rz Caster Fork Assy Painted Black
8	419-0024-00	2	1In L/W Med Split Zc				

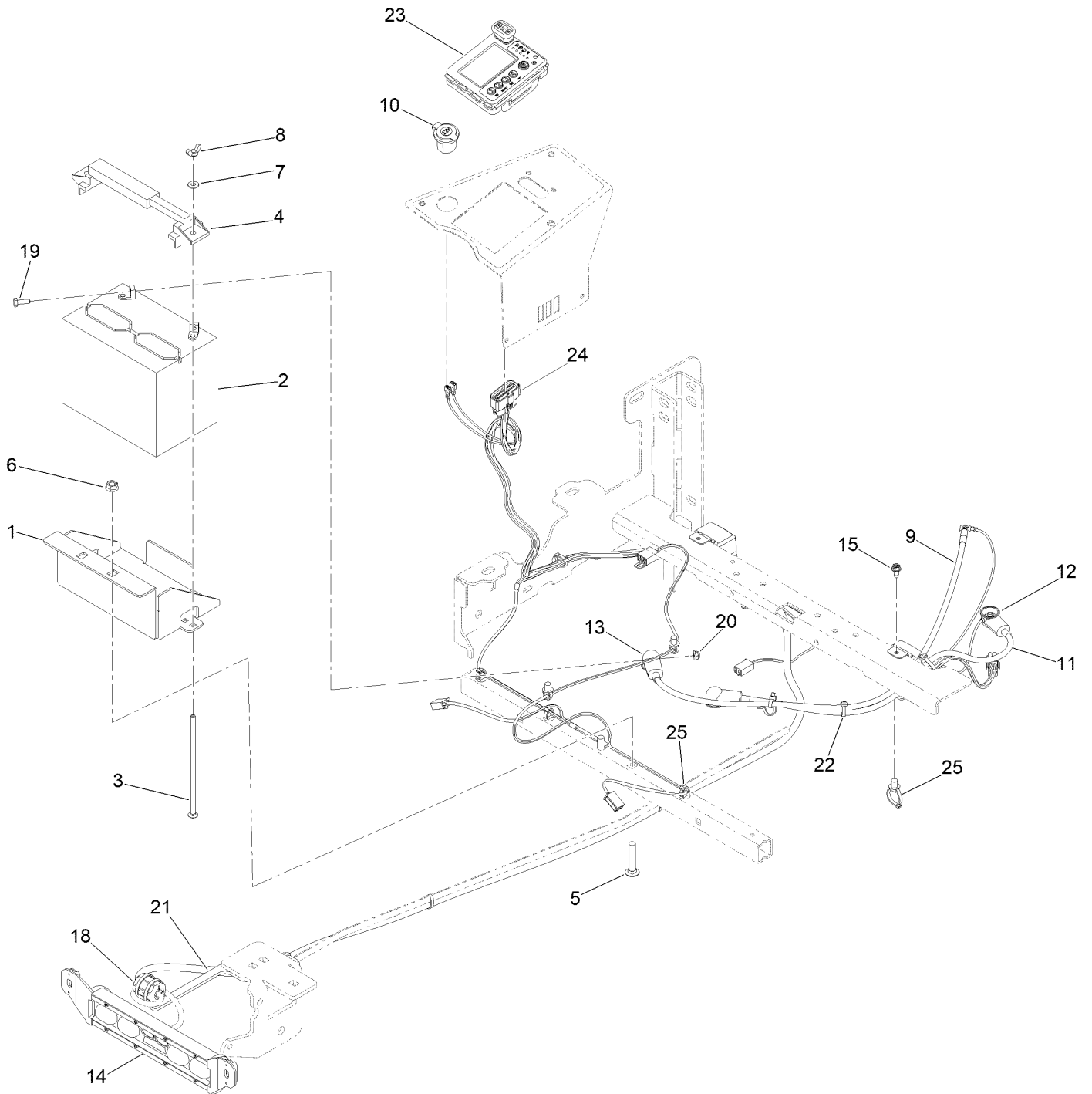
Drive Wheel Assembly



Drive Wheel Assembly (continued)

<i>Ref.</i>	<i>Part Number</i>	<i>Qty.</i>	<i>Description</i>	<i>Ref.</i>	<i>Part Number</i>	<i>Qty.</i>	<i>Description</i>
1	148-1009	2	Tire-ASM	1:2	148-1011	1	Tire
1:1	148-1010	1	Wheel	2	413-0015-00	8	1/2-20 Lugnut

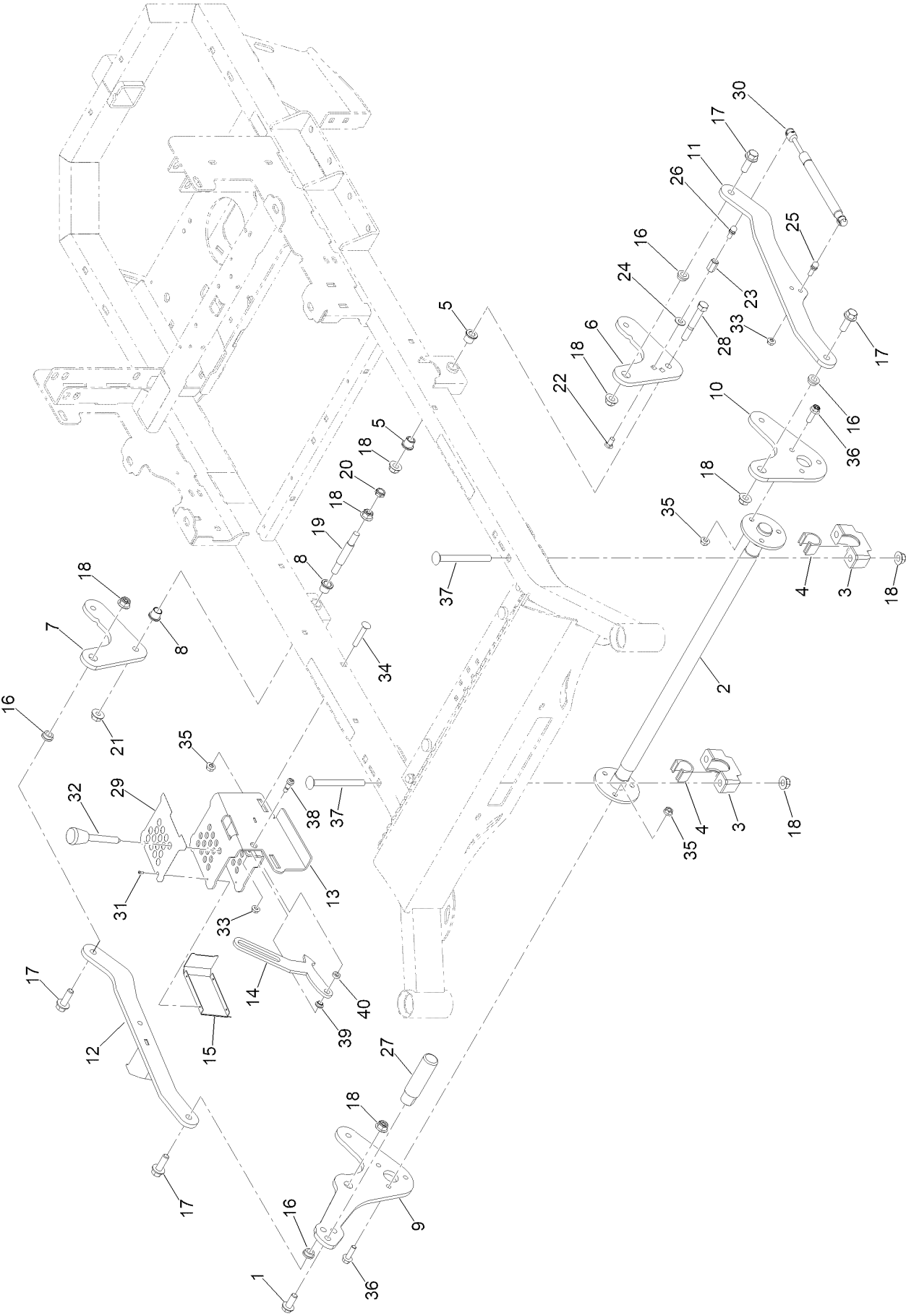
Electrical Assembly



Electrical Assembly (continued)

<i>Ref.</i>	<i>Part Number</i>	<i>Qty.</i>	<i>Description</i>	<i>Ref.</i>	<i>Part Number</i>	<i>Qty.</i>	<i>Description</i>
1	439-0008-00-05	1	Mwr Battery Box Black	13	436-0003-00	1	Straight Insulating Terminal Cover
2	468-1004-00	1	12 Volt Start Battery 300CCA	14	486-0042-00	1	Full Beam With Lighted Helmet Light Bar
3	418-0034-00	2	1/4-20 X 7 Carriage Bolt Zinc	15	120-9551	1	Screw-HWH
4	443-0001-00	1	Battery Hold Down	18	148-0191	1	Fair-Rite Round Cable Snap-It Size B
5	3231-6	2	Screw-CARR	19	321-4	2	Screw-HH
6	413-0020-00	2	3/8-16 Hex Flange Nut W/Serr Zinc Yellow	20	104-7201	2	Nut-HF, NI
7	515-0038	2	Washer-Flat	21	148-0219-05	1	Fair-Rite Bracket Painted
8	1-803038	2	Wingnut	22	3290-379	13	Tie-Cable
9	486-0017-00	1	Mwr Negative Cable 28	23	148-1000	1	Console-Vg Advance
10	677-2075-00	1	12 Volt Auxilliary Plug	24	148-1023	1	Harness-Wire
11	486-0016-00	1	Mwr Positive Battery Cable 25In	25	32180-030	1	Clip-Tie
12	436-0002-00	2	3.15 Lgth Straight Insul Term Cover Red				

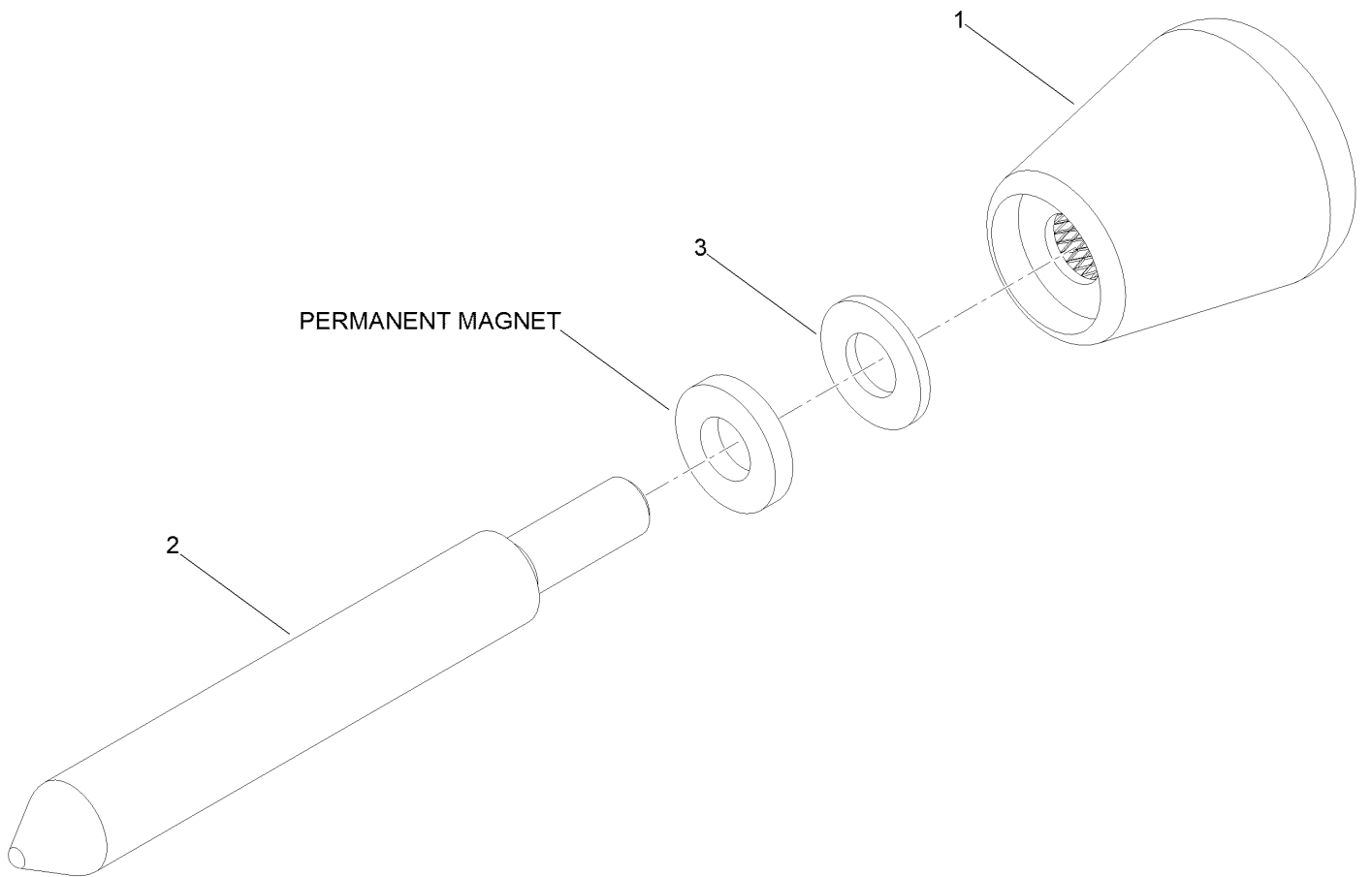
Decklift Assembly



Decklift Assembly (continued)

<i>Ref.</i>	<i>Part Number</i>	<i>Qty.</i>	<i>Description</i>	<i>Ref.</i>	<i>Part Number</i>	<i>Qty.</i>	<i>Description</i>
1	148-0095	1	1/2-13X1.25In Hex Flange Bolt (GR.8) Yz	22	618-2068-00	1	3/8 X 3/4In GR 8 CARR Bolt Zinc
2	148-1074	1	Decklift-Front	23	148-0422	1	Hex Coupling Nut-Reducer
3	148-1085	2	Support-Bearing Housing	24	419-0007-00	1	Washer-Flat
4	109-9410	2	Bearing-Cross Shaft, Front	25	487-0008-00	1	5/16-18X1.286 Damper Ball Stud (.562 TI)
5	135-5694	2	Bushing-Flange	26	487-0005-00	1	5/16-18X1.286 Damper Ball Stud (.562 TI)
6	148-1003-05	1	Rz Rear HOC Hanger	27	148-0951	1	Pedal
7	148-0418-05	1	Arm-Decklift Rear (3/8")	28	418-0042-00	1	1/2-13 X 3-1/2 Hex C/S GR 5 Zinc Yellow
8	135-9063	2	Bushing-Flange	29	148-1036	1	Decal-Height Of Cut
9	148-0950-05	1	Lever-Lift	30	434-0008-00	1	Rz Deck Assist Gas Spring
10	148-1075-05	1	Plate-Decklift, Arm LH	31	923786	4	Rivet
11	148-0940-05	1	Link-HOC(Left Side)	32	148-1450	1	HOC Pin ASM
12	148-0941-05	1	Link-HOC	33	413-0022-00	2	Nut-HF
13	148-0946-05	1	Bracket-HOC	34	618-2023-00	2	Screw-CARR
14	148-0943	1	Plate-Transport Lock	35	413-0029-00	8	Nut-Hex
15	148-0949-05	1	Cover-HOC	36	148-1087	6	Screw-HHF
16	410-0009-00	4	1/2In ID X 3/4In OD X 3/8In Flange Bush	37	148-1080	4	Screw-CARR
17	100-6116	4	Screw-HHF	38	418-0083-00	1	3/8 X 1/2 Socket Shoulder Bolt Yz
18	413-1005-00	10	1/2-13 Hex Flange 2-Way Rev Cntr L/Nyz	39	148-1211	1	Bushing-Flange
19	418-0276-00	1	Rr Deck Height Bolt	40	148-1212	1	Washer-Plain
20	3296-45	1	Nut-Hex				
21	32128-49	1	Nut-HHF				

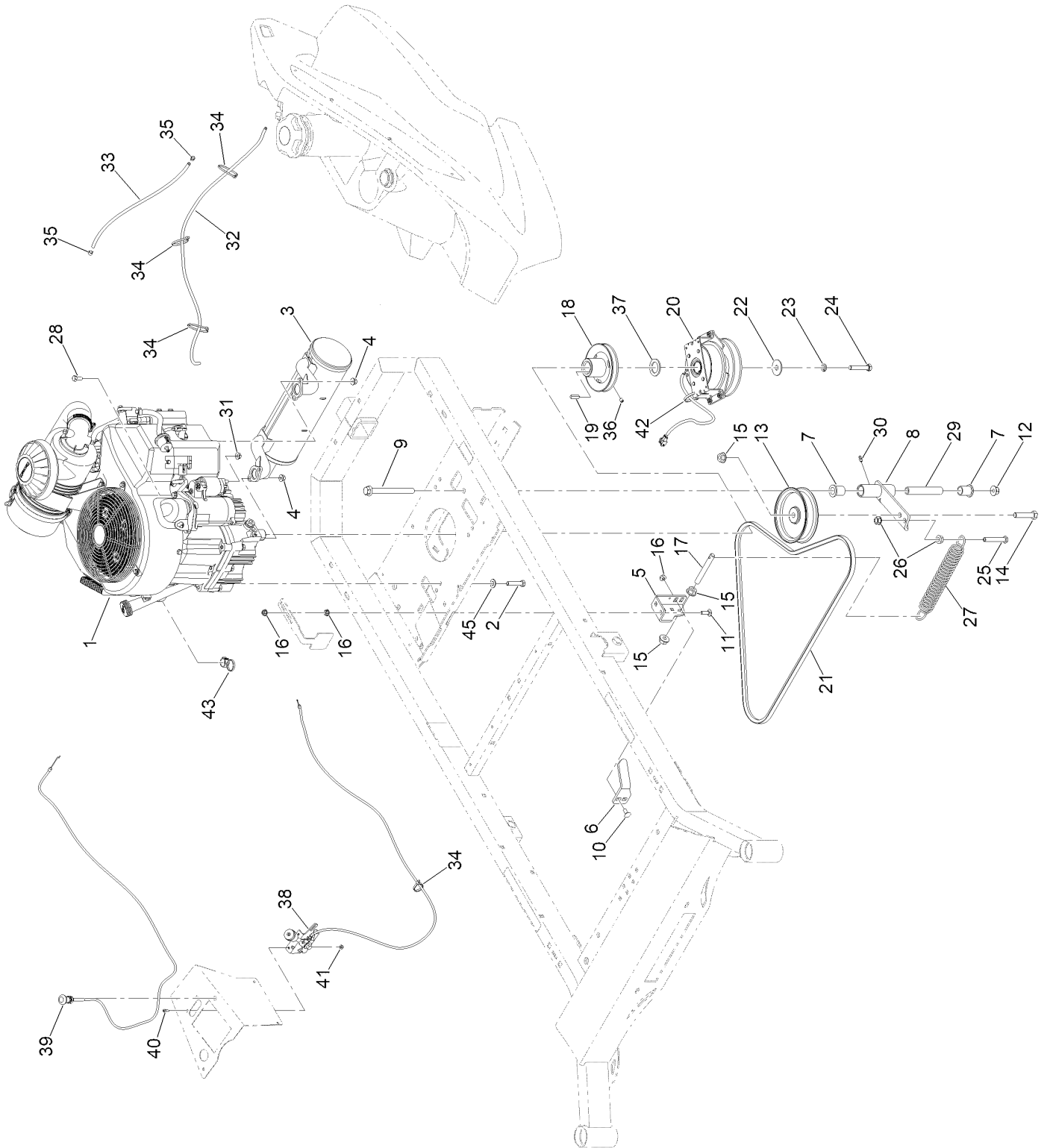
HOC Pin Assembly No. 148-1450



HOC Pin Assembly No. 148-1450 (continued)

<i>Ref.</i>	<i>Part Number</i>	<i>Qty.</i>	<i>Description</i>
1	126-7390	1	Knob-Tapered
2	148-1451	1	Pin-HOC
3	3256-23	1	Washer-Plain

Engine Assembly

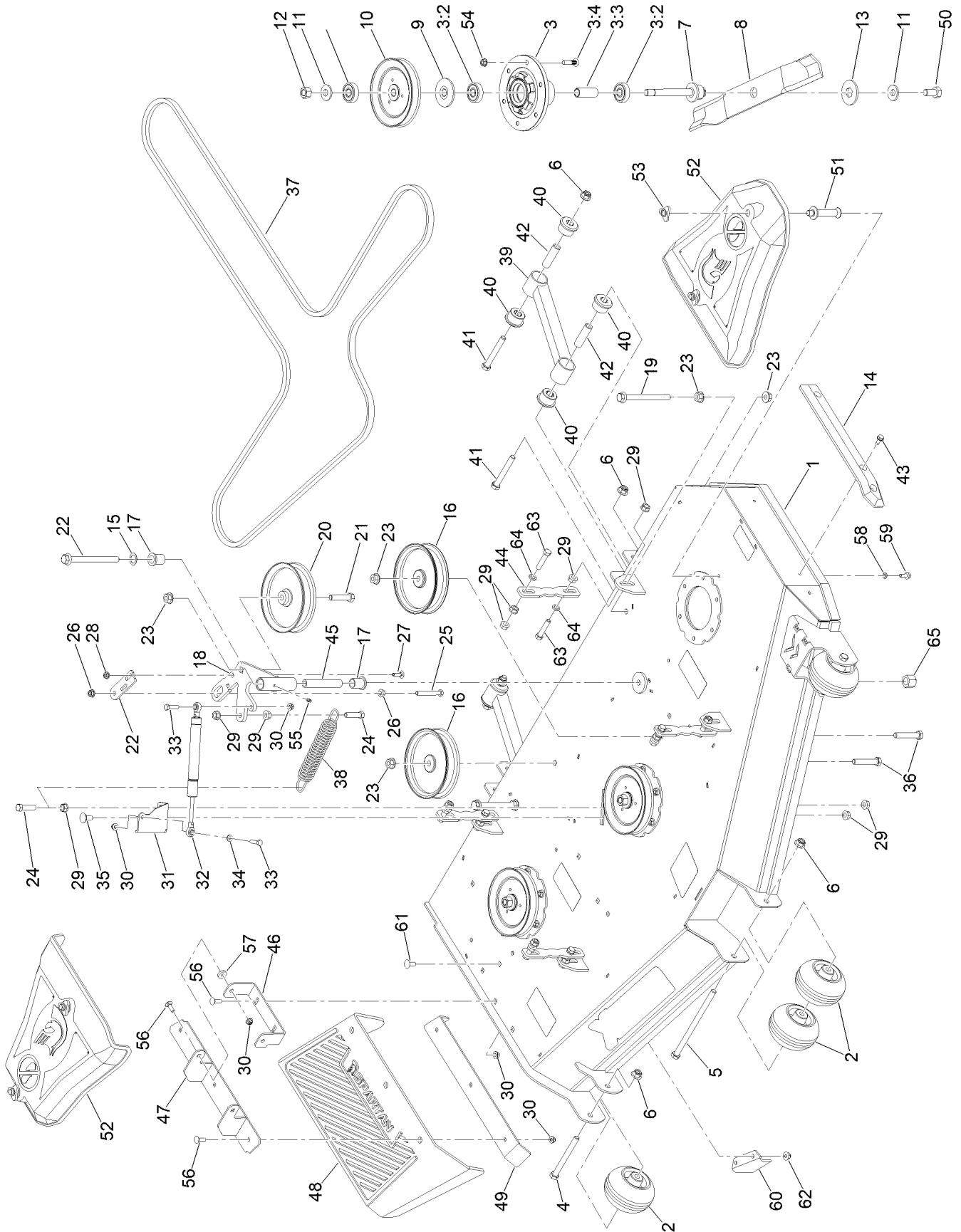


Engine Assembly (continued)

<i>Ref.</i>	<i>Part Number</i>	<i>Qty.</i>	<i>Description</i>	<i>Ref.</i>	<i>Part Number</i>	<i>Qty.</i>	<i>Description</i>
1	415-0089-00	1	Kawasaki Fx801V Engrn ●	23	3253-6	1	Washer-Lock
2	323-50	4	Bolt-HH	24	418-0223-00	1	Ttq Clutch Bolt
3	415-0065-00	1	Exhaust Systemkawi Fx801/Fx850/Fx850EFI	25	418-0013-00	1	Bolt-HH
4	104-2612	4	Nut-HF	26	32128-37	2	Nut-HF
5	439-0244-00-05	1	Mwr Pump Idler Tensioning Brkt	27	434-0007-00	1	Mwr Deck Spring
6	439-0493-00-05	1	2021 Ttq Mower Ogura Clutch Bracket	28	418-0278-00	1	M8-1.25 X 20MM Hex Flange Bolt Zinc 10.9
7	410-0007-00	2	3/4In ID X15/16In OD X 1-1/8In Flng Bush	29	425-0006-00	1	Mwr Inner Idler Spacer
8	490-0018-00-05	1	Mwr Pump Idler ASM	30	424-0002-00	1	1/4In Drive Type Grease Fitting Yz
9	418-0009-00	1	1/2-13 X 5-1/2 Hex Flange Bolt GR 8 Zy	31	112-2844	1	Nut-HF
10	418-0008-00	2	Bolt-CARR	32	451-0002-00	22	Mwr Fuel Tank Black 3/16In Vent Tube 1Ft
11	418-0062-00	2	5/16-18 X 1-1/4 Carriage Bolt Zc/Yel	33	751-1014-00	44	1/4In SAE J30R7 Bulk Hose 1Ft
12	413-0002-00	2	Nut-Lock	34	3290-379	4	Tie-Cable
13	433-0013-00	1	5-3/4In Idler Pulley 7/16In Spacer ASM	35	472-0004-00	2	1/2In (#8) Hose Clamp
14	325-9	1	Screw-HH	36	418-0280-00	1	5/16-18 X 3/8 Socket Set Screw
15	32128-49	2	Nut-HHF	37	3-6781	1	Washer-Flat
16	413-0022-00	6	Nut-HF	38	464-0001-00	1	Mwr Throttle Cable ASM W/Handle
17	430-0001-00	1	Mwr Pump Idler Spring Tensioner	39	464-0002-00	1	Mwr Choke Cable Assm
18	433-0001-00	1	Mwr Hydraulic Pump Drive Pulley (A Belt)	40	418-0055-00	2	10-24 X 1/2 Socket C/S 18-8 SS
19	1-807259	1	Key	41	110-3145	2	Nut-Lock
20	470-0004-00	1	Mwr Ttq Ogura Clutch	42	414-0001-00	1	6In (40 Lb) Cable Tie Nylon Uv
21	461-0004-00	1	Mwr Pump Belt Rt A X 68.25In Eff Lngth	43	148-1495	1	Zip Tie-Hose, Clamp
22	419-0001-00	1	1/2In X 1-5/8 Belleville Cup Washer Yz	45	115-1166	4	Washer-Plain

● Obtain parts from www.kawpower.com

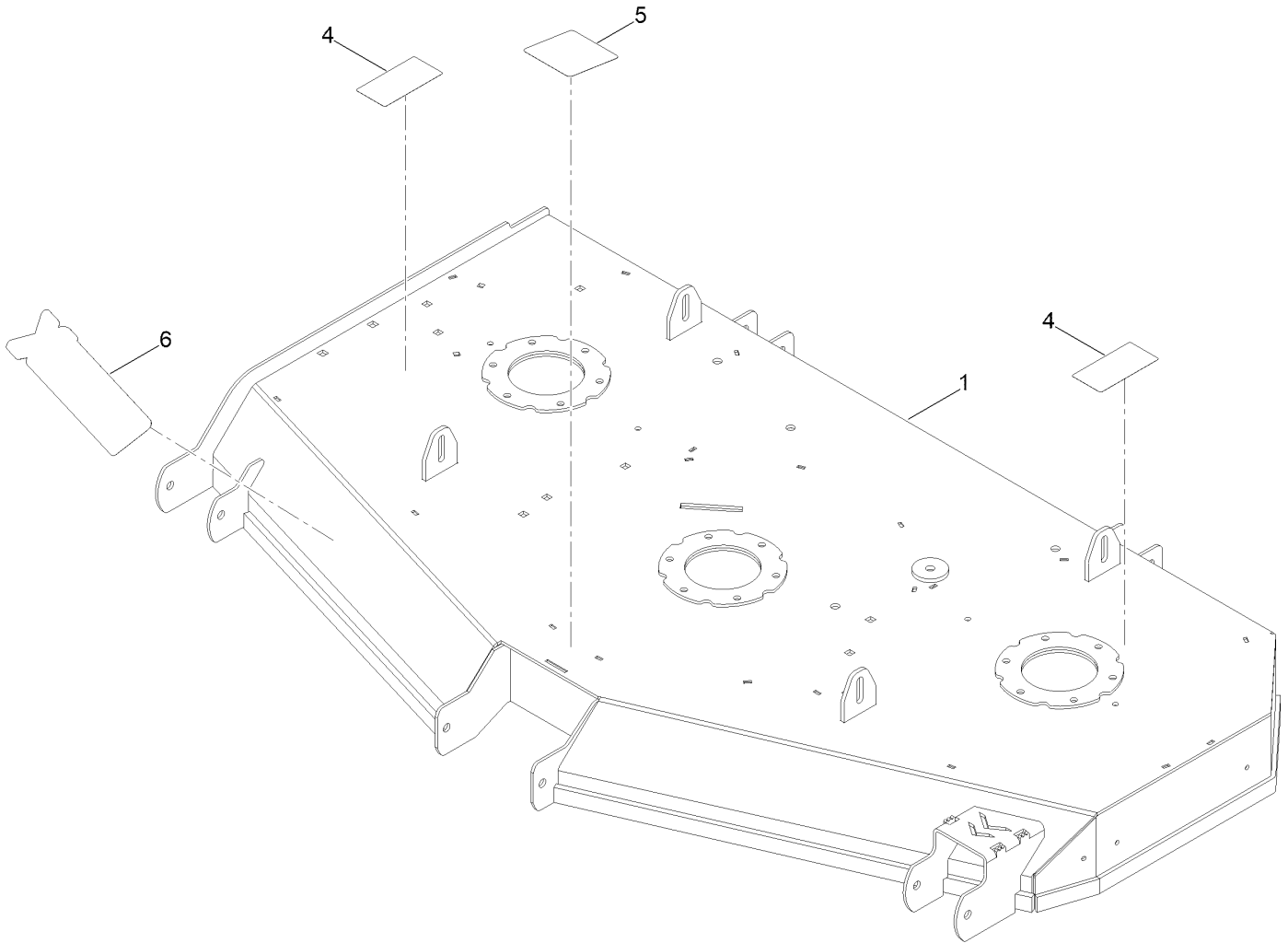
60 Inch Cutting Deck Assembly



60 Inch Cutting Deck Assembly (continued)

<i>Ref.</i>	<i>Part Number</i>	<i>Qty.</i>	<i>Description</i>	<i>Ref.</i>	<i>Part Number</i>	<i>Qty.</i>	<i>Description</i>
1	148-0980	1	60In Deck ASM W/Decals	32	434-0009-00	1	Idler Gas Spring
2	422-0061-00	4	Mwr Anti-Scalp Whl W/O Grease Fitting	33	322-47	2	Screw-HH
3	148-0002	3	Spindle ASM 5In Deck	34	413-0016-00	1	.312Idx.625Odx.062 THK Thrust Brg Oi Brz
3:2	116-4004	2	Bearing	35	3232-1	1	Screw-CARR
3:3	148-0025	1	Spacer, Bearing	36	418-0246-00	2	1/2-13 X 2-3/4 Hex Flange Bolt (GR.8) Yz
3:4	116-3473	6	Bolt-Round Head	37	126-7443	1	Belt-V
4	418-0016-00	2	Screw-HH	38	434-0007-00	1	Mwr Deck Spring
5	418-0015-00	1	1/2-13 X 8-1/2 Hex C/S GR 2 Zinc Yellow	39	490-0047-00-05	2	Rz Mwr Deck Stablzr ASM
6	413-0002-00	7	Nut-Lock	40	732-2000-00	8	Red A80 Susp Bushing
7	148-0105	3	Shaft - Spindle	41	418-0021-00	4	1/2-13 X 3-3/4 Hex C/S (GR.5) Zc/Yel
8	148-0939	3	Blade-Rotary	42	732-2001-00	4	UTV A-Arm Bushing Sleeve
9	148-0102	3	Guard-Bearing Top 0.673In	43	9264964	3	Screw-HWH, Thread Cut
10	148-0938	3	Pulley	44	148-0236-05	4	Hanger-Deck
11	148-0114	6	M16 Spring Washer (39Mmod/ 3.9MM THK)	45	425-0006-00	1	Mwr Inner Idler Spacer
12	148-0112	3	M16X1.5 C8.8 Hex Nut	46	148-0999-00-05	1	Bracket-Chute
13	148-0108	3	Washer-Hex	47	148-0836-05	1	Deck Chute Hinge ASM
14	429-0001-00	1	Mwr Nylon Deck Guard	48	481-0010-00	1	Rz Mwr Rubber Discharge Chute
15	418-0110-00	1	.767Idx1.125Odx.016 THK Trip Wv Washer	49	439-0431-00-05	1	Mwr Deck Chute Hinge Backer Brkt
16	433-0015-00	2	6-3/4In Idler Pulley 15/16In Spacer Assy	50	148-0109	3	M16X1.5-30MM C10.9 Hex Bolt
17	410-0007-00	2	3/4In ID X15/16In OD X 1-1/8In Flng Bush	51	148-0094	4	Pin-Belt Cover
18	490-0019-00-05	1	Mwr Deck Idler Pulley Arm Assy Black	52	148-0093	2	Cover-Belt
19	418-0009-00	3	1/2-13 X 5-1/2 Hex Flange Bolt GR 8 Zy	53	148-0234	4	Nut-Knob
20	433-0014-00	1	6-3/4In Idler Pulley 7/16In Spacer ASM	54	413-0029-00	18	Nut-Hex
21	325-9	1	Screw-HH	55	424-0002-00	1	1/4In Drive Type Grease Fitting Yz
22	439-0257-00-05	1	Deck Idler Pulley Belt Retainer Brkt	56	418-0060-00	7	5/16-18 X 1 Carriage Bolt GR 8 Yz
23	32128-49	7	Nut-HHF	57	419-0006-00	2	.312 ID X .875OD X .1875 THK F/W NYL
24	324-7	2	Screw-HH	58	3253-4	4	Washer-Lock
25	148-1137	1	Bolt-L	59	116-7230	4	Screw-HHF
26	413-0020-00	2	3/8-16 Hex Flange Nut W/Serr Zinc Yellow	60	107-8541-05	1	Baffle-Discharge
27	418-0010-00	2	Bolt-CARR	61	3231-27	2	Screw-CARR
28	413-0022-00	2	Nut-HF	62	119-4042	2	Nut-HF, NI
29	32128-37	21	Nut-HF	63	324-8	8	Screw-HH
30	413-0027-00	9	Nut-HF, NI	64	419-0010-00	8	.443 ID X .749 OD X .125 THK Nylon Black
31	439-0335-00-05	1	Deck Belt Idler Damper Mtg Brkt	65	3296-23	1	Nut-Lock, NI

Deck Decal Assembly No. 148-0980

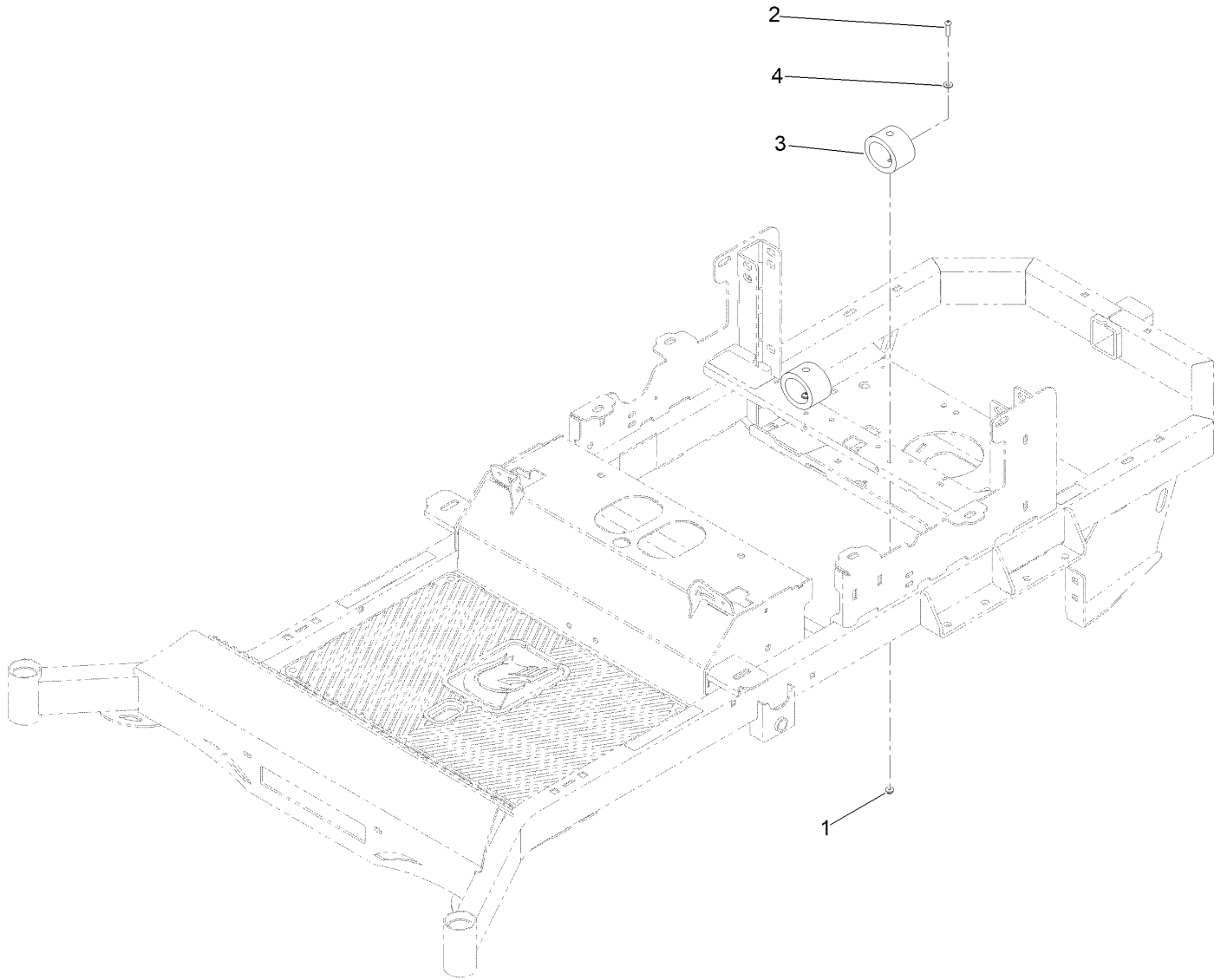


Deck Decal Assembly No. 148-0980 (continued)

<i>Ref.</i>	<i>Part Number</i>	<i>Qty.</i>	<i>Description</i>	<i>Ref.</i>	<i>Part Number</i>	<i>Qty.</i>	<i>Description</i>
1		1	Deck ASM-60 ●	5	148-1479	1	Decal-Belt Routing
4	161-6620	2	Decal-Danger, Deck	6	148-1216	1	Decal-Deck, 60

● Not serviced separately

Seat Suspension Assembly



Seat Suspension Assembly (continued)

<i>Ref.</i>	<i>Part Number</i>	<i>Qty.</i>	<i>Description</i>	<i>Ref.</i>	<i>Part Number</i>	<i>Qty.</i>	<i>Description</i>
1	104-7201	2	Nut-HF, NI	3	487-0004-00	2	Seat Rr Susp Elastomer
2	418-0039-00	2	1/4-20 X 1 Button Socket C/S 18-8 SS	4	515-0038	2	Washer-Flat

Notes:

Notes:

