



## RZ-XD HD 60in Mower

Model No. RSZL2160FX730—Serial No. 421000000 and Up

# Parts Catalog



# Ordering Replacement Parts

To order replacement parts, please supply the part number, the quantity, and the description of each part desired.

## Understanding Reference Numbers

Each identified part in an illustration has a reference number. The reference number for a part also appears in the parts list, along with other information about the part.

This catalog uses two special reference number formats, one to indicate parts in a service assembly and another to indicate the quantity of a given part in an illustration.

## Service Assembly Reference Numbers

Parts in service assemblies have reference numbers in the form a:b. The a represents the reference number of the entire service assembly and the b represents a sequential number unique to each part within the service assembly.

For example, a wheel assembly might be identified by reference number 6, the tire by 6:1, the valve by 6:2, and the wheel by 6:3. When you order the assembly identified by reference number 6, you receive all parts identified by reference numbers 6:1, 6:2, and 6:3. However, you may also order any part individually. Reference numbers of this type appear in illustration and in parts lists.

## Reference Numbers Indicating Quantity

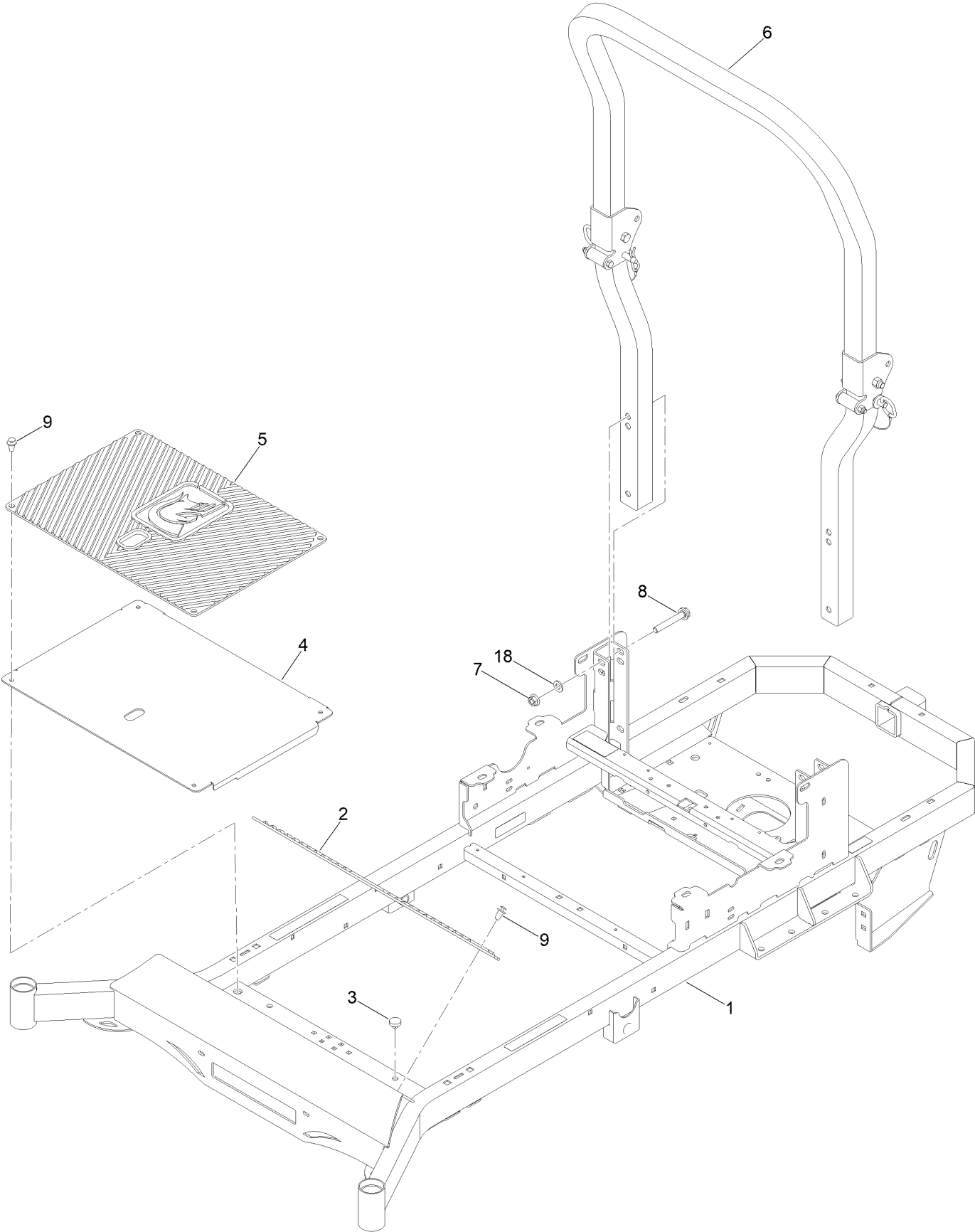
In an illustration, if a reference number indicates more than one part, the reference number has the form nX y. The n represents the quantity of the part, the X is the multiplication symbol, and the y represents the reference number.

For example, in an illustration, the reference number 2X 37 means that two of the parts identified by reference number 37 are indicated.

# Contents

Main Frame Assembly .....	4
Frame with Decals Assembly No. 148-0997 .....	6
Transmission Assembly .....	8
Body Styling Assembly .....	10
Fuel Tank Assembly .....	12
Fuel Tank Assembly No. 467-0001-00 .....	14
Seat Assembly .....	16
Motion Control and Parking Brake Assembly .....	18
Caster Tire Assembly .....	20
Drive Wheel Assembly .....	22
Electrical Assembly .....	24
Decklift Assembly .....	26
HOC Pin Assembly No. 148-1450 .....	28
Engine Assembly .....	30
60 Inch Cutting Deck Assembly .....	32
Deck Decal Assembly No. 148-0979 .....	34
Seat Suspension Assembly .....	36

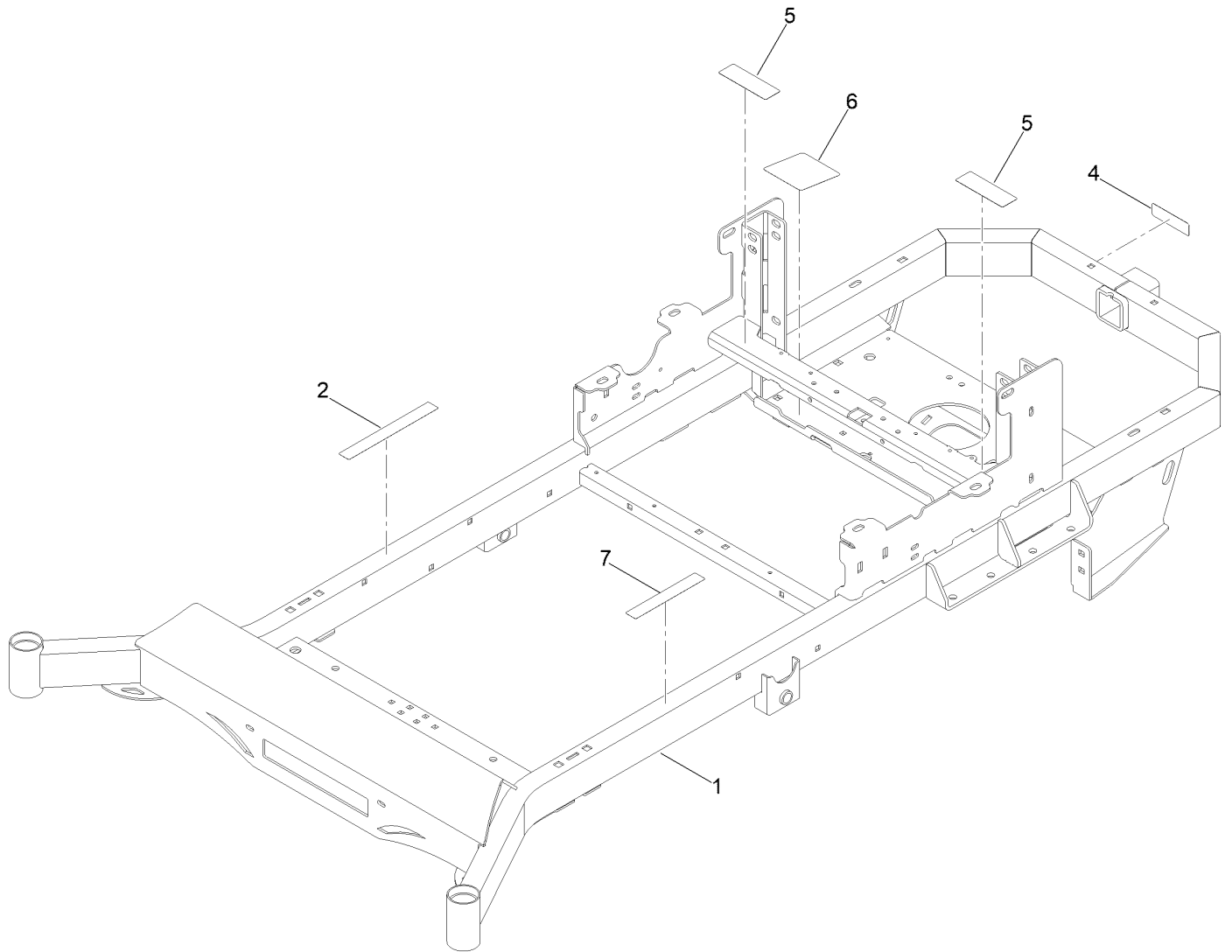
# Main Frame Assembly



## Main Frame Assembly (continued)

<i>Ref.</i>	<i>Part Number</i>	<i>Qty.</i>	<i>Description</i>	<i>Ref.</i>	<i>Part Number</i>	<i>Qty.</i>	<i>Description</i>
1	148-0997	1	Frame ASM-Decals	7	413-0014-00	4	1/2-13 Hex Stover Locknut GR C Zinc
2	481-0005-00	1	Mwr Rubber Foot Rest Mat	8	418-0019-00	4	Bolt-HF
3	429-0002-00	2	Push-In Rubber Bumper	9	414-0002-00	10	8MM Push Type Retainer Nylon Black
4	439-0007-00-P11	1	Mwr Floorboard Paint	18	106-9888	4	Washer-Flat
5	481-0006-00	1	Mwr Logo Floor Mat				
6	148-0233	1	ROPS				

# Frame with Decals Assembly No. 148-0997

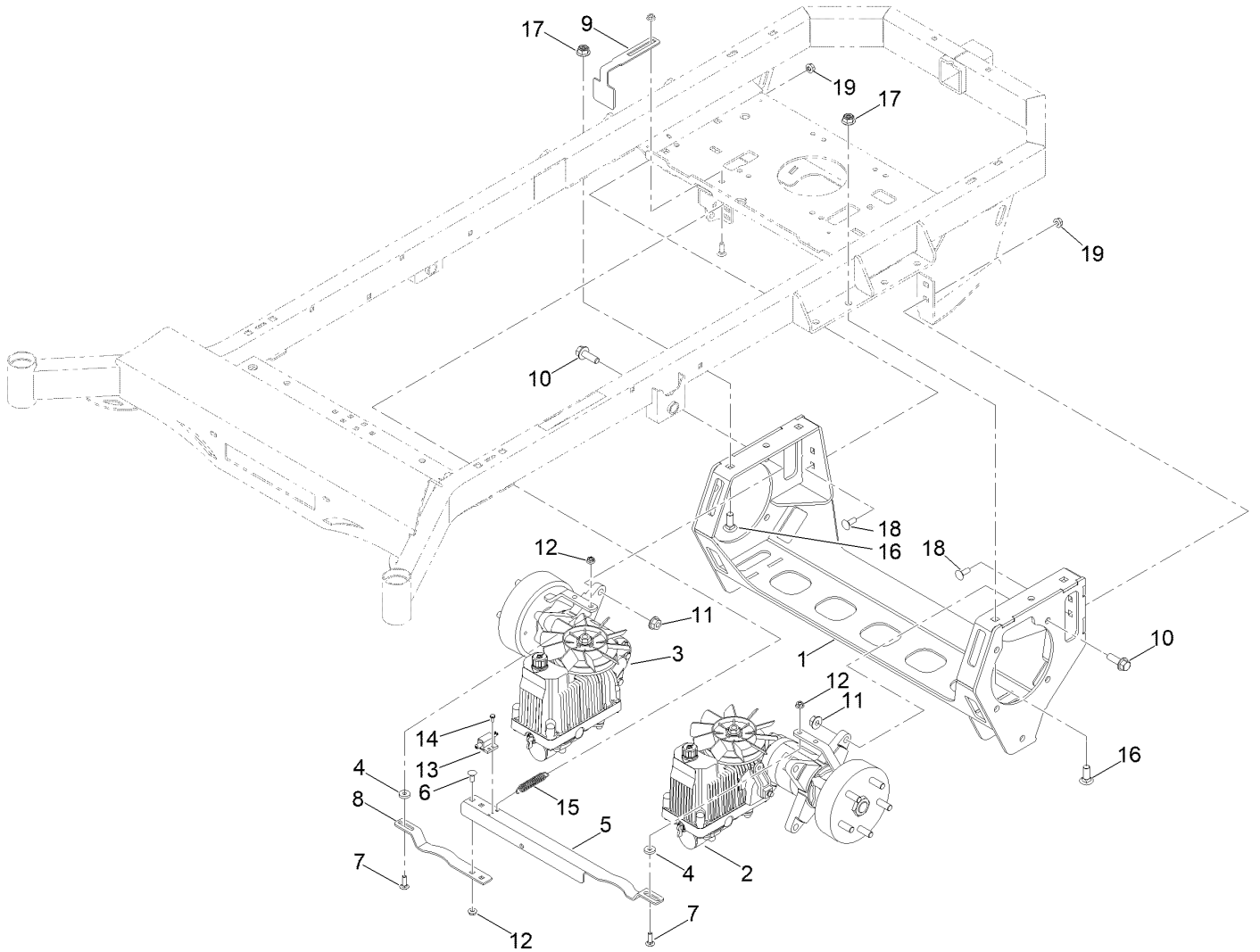


# Frame with Decals Assembly No. 148-0997 (continued)

<i>Ref.</i>	<i>Part Number</i>	<i>Qty.</i>	<i>Description</i>	<i>Ref.</i>	<i>Part Number</i>	<i>Qty.</i>	<i>Description</i>
1		1	Ztr Frame ASM ●	5	148-1308	2	Decal-Warn Rotating Device
2	148-1095	1	Decal-Warning	6	148-1480	1	Decal-Belt Routing
4	147-7364	1	Decal-Hitch	7	148-1094	1	Decal-Warning

● Not serviced separately

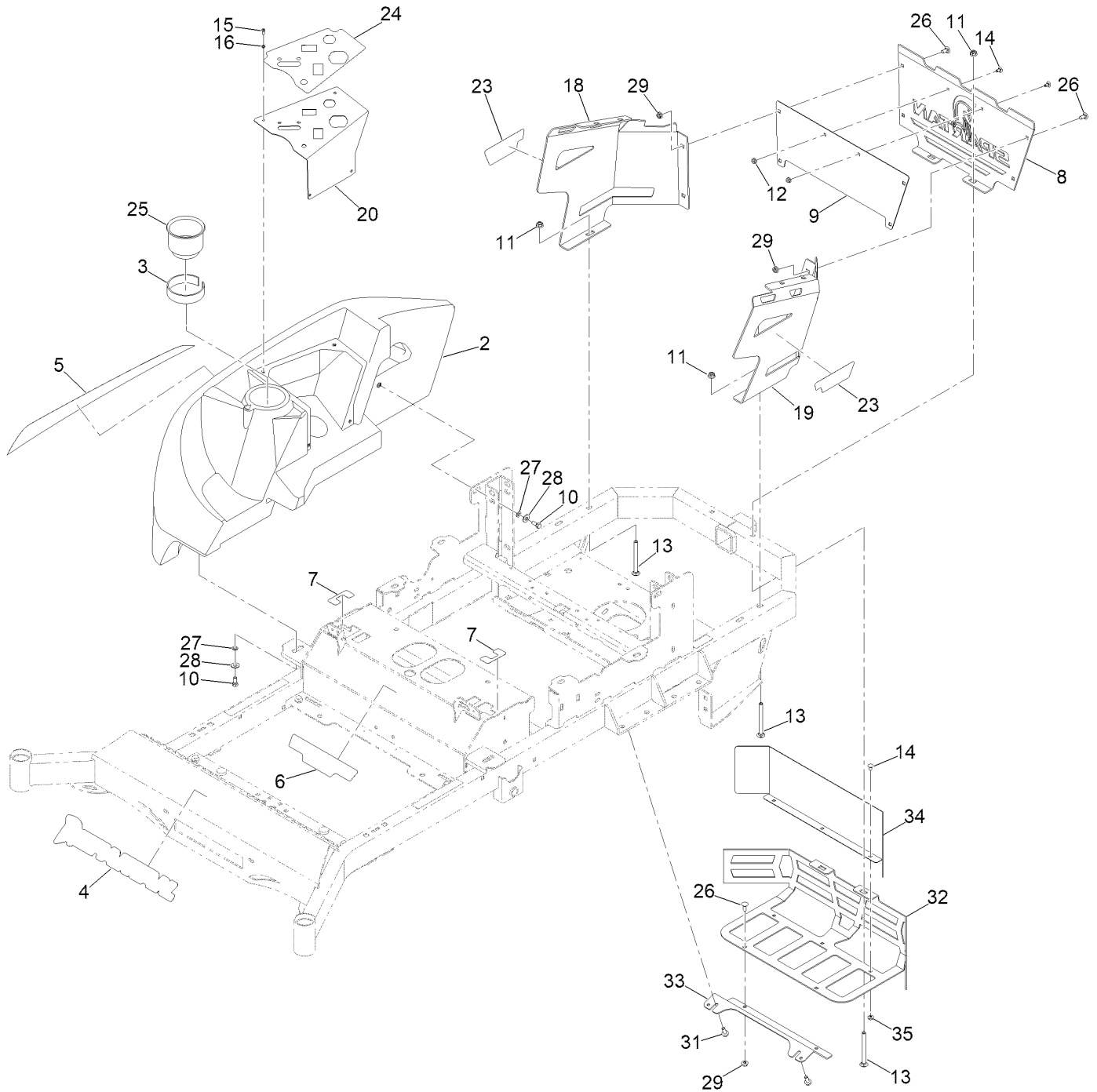
# Transmission Assembly



## Transmission Assembly (continued)

<i>Ref.</i>	<i>Part Number</i>	<i>Qty.</i>	<i>Description</i>	<i>Ref.</i>	<i>Part Number</i>	<i>Qty.</i>	<i>Description</i>
1	148-0985-P11	1	Hydro Frame ASM	10	100-6116	8	Screw-HHF
2	450-0009-00	1	Hte10 Lt Side Hydrost Transm For Rz Hub	11	32128-49	8	Nut-HHF
3	450-0010-00	1	Hte10 Rt Side Hydrost Transm For Rz Hub	12	413-0027-00	4	Nut-HF, NI
4	419-0006-00	2	.312 ID X .875OD X .1875 THK F/W NYL	13	486-0030-00	1	No Plunger Limit Switch
5	439-0607-00-P11	1	Mwr Park Brake Brkt Lt Paint	14	418-0032-00	2	8-32 X 1/2 Ind. HWH Slot Type F Tcs Zinc
6	418-0008-00	2	Bolt-CARR	15	434-0003-00	1	Mwr Brake Pedal Release Spring
7	418-0010-00	2	Bolt-CARR	16	148-1262	4	Screw-CARR,Patch
8	439-0606-00-P11	1	Mwr Park Brake Brkt Rt Paint	17	413-1005-00	4	1/2-13 Hex Flange 2-Way Rev Cntr L/Nyz
9	439-0066-00-P11	1	Stand Trans Brake Interlock Brkt Paint	18	418-0045-00	4	3/8-16 X 1 Carriage Bolt Yz GR.8
				19	413-0029-00	4	Nut-Hex

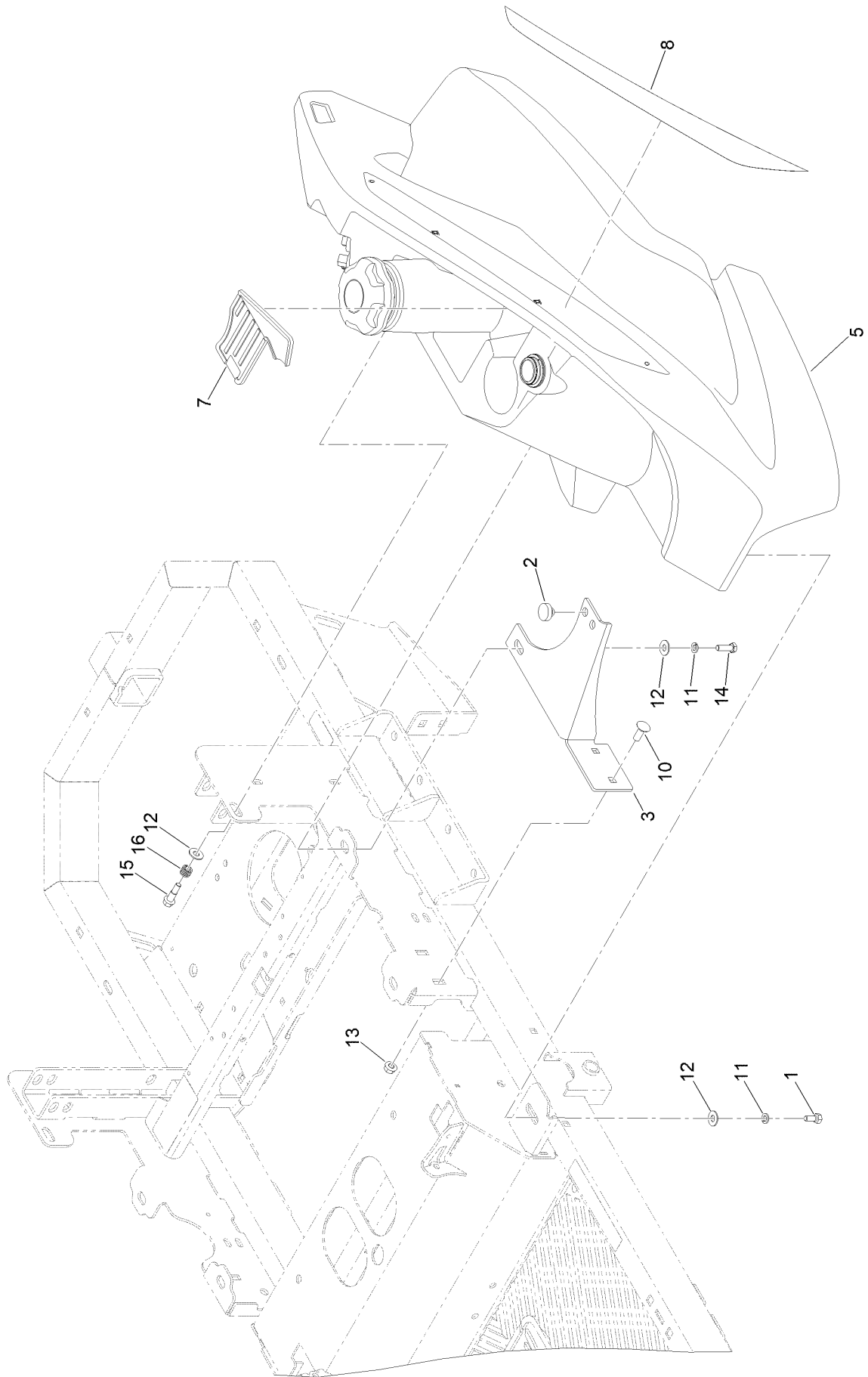
# Body Styling Assembly



## Body Styling Assembly (continued)

<i>Ref.</i>	<i>Part Number</i>	<i>Qty.</i>	<i>Description</i>	<i>Ref.</i>	<i>Part Number</i>	<i>Qty.</i>	<i>Description</i>
2	148-0307	1	Console W/ Cupholder	16	419-0011-00	4	#10 Split Lockwasher 18-8 SS
3	148-0770	1	Tape-Foam	18	439-0691-00-P11	1	2021 Rt/Srt Engn Cowling Rt
4	148-0801	1	Decal-Spartan, Front	19	439-0692-00-P11	1	2021 Rt/Srt Engn Cowling Lt
5	148-0845	1	Decal-Tank	20	148-1042-05	1	Rt 45 Key Mnt
6	148-1161	1	Decal-Gt Trac	23	148-1160	2	Decal-Model
7	148-1056	1	Decal-Motion Control	24	148-1097	1	Decal-Control Panel
8	148-1067-P11	1	Plate-Engine Cowling, Rt	25	780-2220-00	1	Cup Holder
9	148-1528-P12	1	Plate-Cowling Backer (Perforated)	26	418-0008-00	6	Bolt-CARR
10	418-0054-00	4	Screw-HH	27	3253-4	4	Washer-Lock
11	413-0013-00	4	3/8-16 Nylon Insert Flange L/Nut Yz	28	419-0007-00	4	Washer-Flat
12	413-0023-00	2	1/4-20 Hex Flange Nut W/Serr Zinc	29	413-0022-00	6	Nut-HF
13	418-0018-00	4	3/8-16 X 4 Carriage Bolt Zinc	31	418-0049-00	2	Bolt-HWH
14	418-0031-00	5	1/4-20 X 1/2 Carriage Bolt,Yz	32	148-1525-P11	1	Guard-Muffler
15	418-0055-00	4	10-24 X 1/2 Socket C/S 18-8 SS	33	148-1526-P11	1	Bracket-Guard, Muffler
				34	148-1527-05	1	Baffle-Muffler Guard
				35	413-0012-00	3	1/4-20 Hex Flange Nut

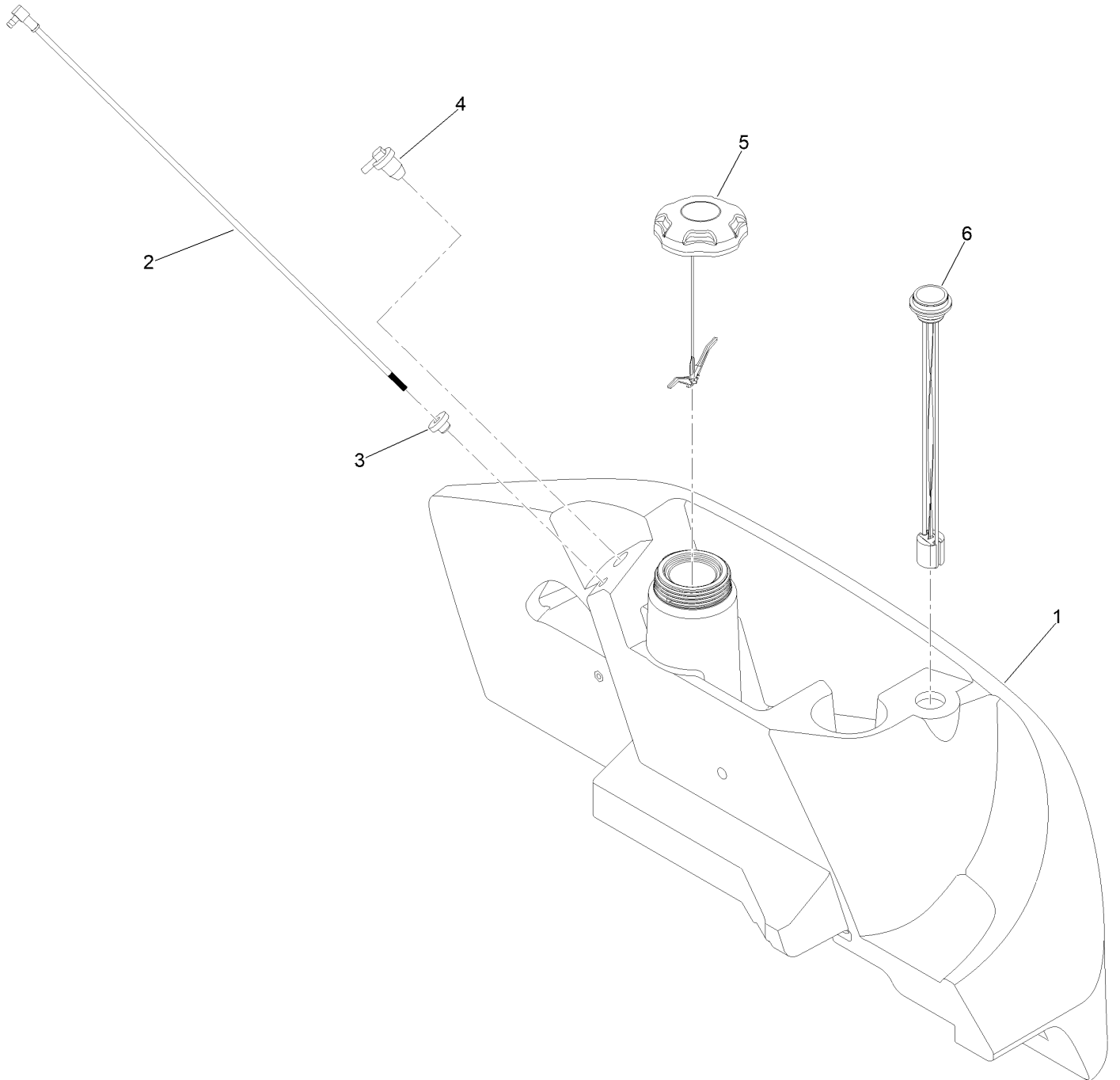
# Fuel Tank Assembly



## Fuel Tank Assembly (continued)

<i>Ref.</i>	<i>Part Number</i>	<i>Qty.</i>	<i>Description</i>	<i>Ref.</i>	<i>Part Number</i>	<i>Qty.</i>	<i>Description</i>
1	418-0054-00	2	Screw-HH	11	3253-4	3	Washer-Lock
2	429-0002-00	2	Push-In Rubber Bumper	12	419-0007-00	4	Washer-Flat
3	148-0478-P11	1	Bracket-Tank Support	13	413-0020-00	2	3/8-16 Hex Flange Nut W/Serr Zinc Yellow
5	467-0001-00	1	Mwr Gasoline Fuel Tank Assy	14	418-0108-00	1	Screw-HH
7	481-0004-00	1	Rubber Tank Storage Compartment Insert	15	418-0287-00	1	Screw-Shoulder,HHF
8	148-0844	1	Decal-Tank	16	434-0020-00	1	Spring-Compression
10	418-0045-00	2	3/8-16 X 1 Carriage Bolt Yz GR.8				

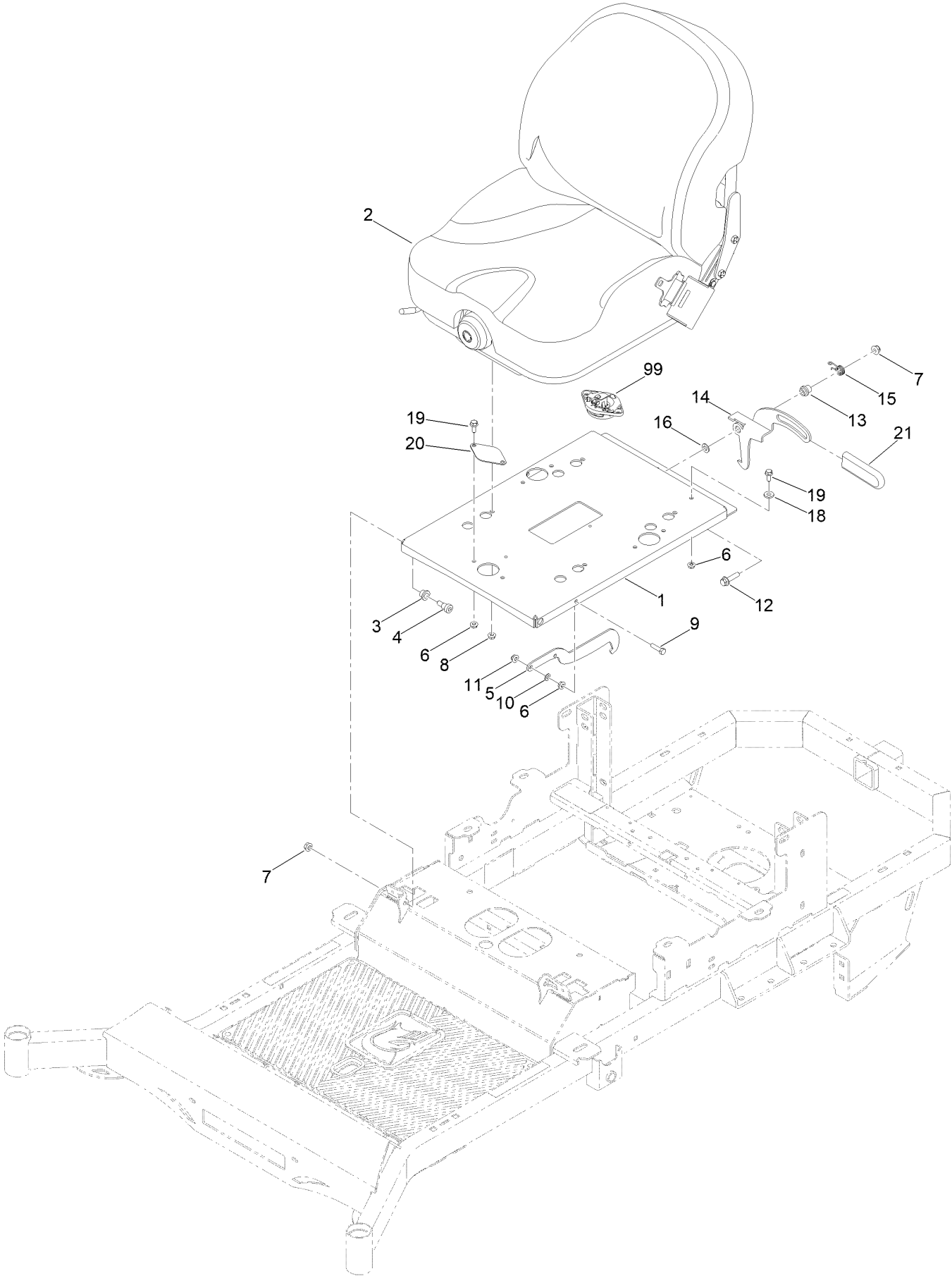
# Fuel Tank Assembly No. 467-0001-00



## Fuel Tank Assembly No. 467-0001-00 (continued)

<i>Ref.</i>	<i>Part Number</i>	<i>Qty.</i>	<i>Description</i>	<i>Ref.</i>	<i>Part Number</i>	<i>Qty.</i>	<i>Description</i>
1	467-0011-00	1	Rz Fuel Pickup Tube (Solar Tank)	4	467-0006-00	1	Remote Tank Vent Valve W/Grommet
2	467-0012-00	1	25.14In Fuel Pickup Tube W/Filter Screen	5	467-0008-00	1	Kelch Tank Fill Neck Non-Ventcap(204541)
3	467-0005-00	1	Fuel Pickup Tube Gromm Nitrdapco 10672	6	467-0035-00	1	Rt/Srt Rochester Fuel Gauge

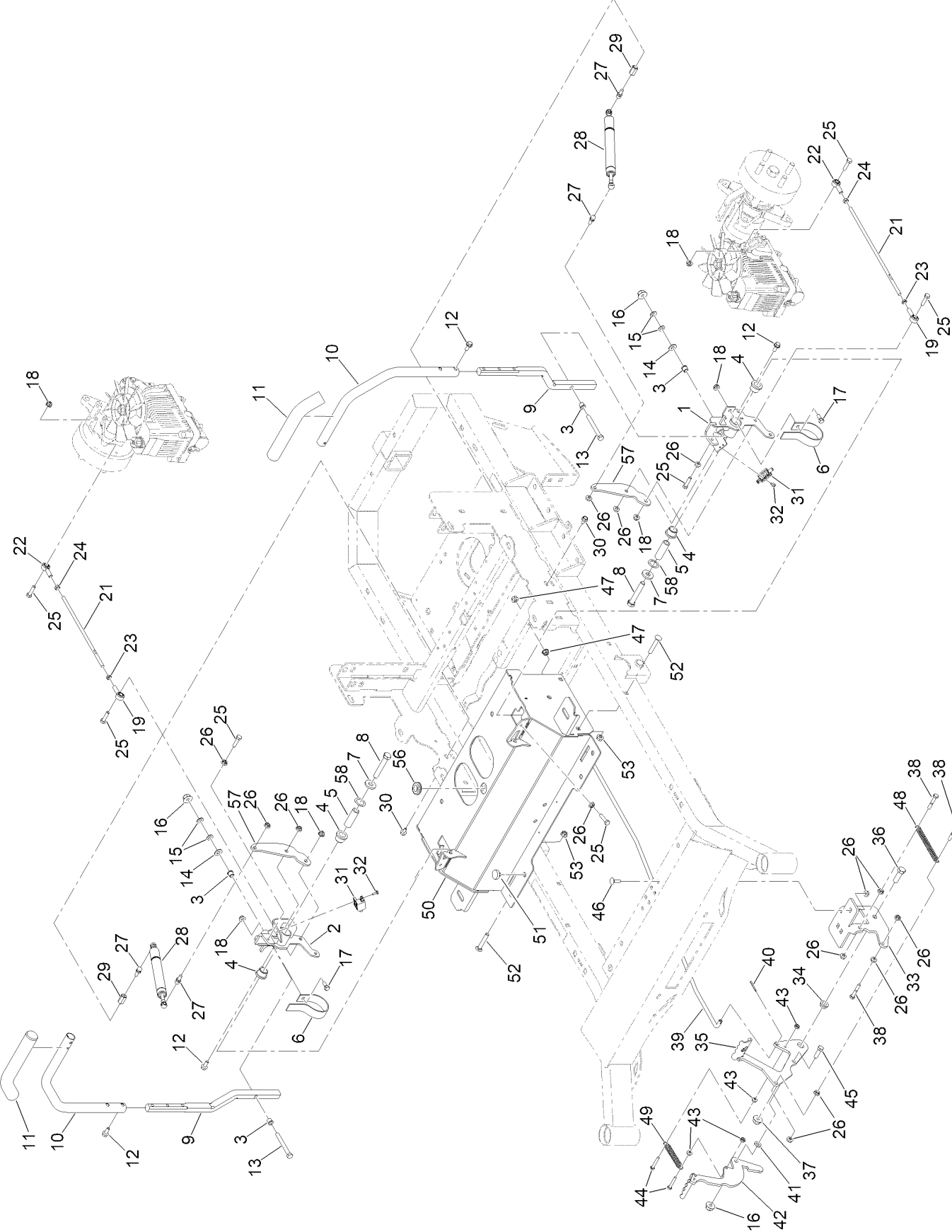
# Seat Assembly



## Seat Assembly (continued)

<i>Ref.</i>	<i>Part Number</i>	<i>Qty.</i>	<i>Description</i>	<i>Ref.</i>	<i>Part Number</i>	<i>Qty.</i>	<i>Description</i>
1	148-1008-P11	1	Plate-Seat, No360	11	413-0027-00	1	Nut-HF, NI
2	471-0015-00	1	2019 Full Susp Seat	12	323-9	1	Screw-HH
3	410-0010-00	2	1/2In ID X 5/8In OD X 1/2In Flange Bush	13	107-0075	1	Bushing-Latch, Seat
4	418-0038-00	2	1/2 X 1/2 Socket Shoulder Bolt Zc Yellow	14	148-0953	1	Bracket-Latch
5	439-0065-00-P11	1	Mwr Seat Latch Hook Paint	15	126-8923	1	Spring-Torsion, Latch
6	413-0022-00	4	Nut-HF	16	138-7207	1	Spacer-Hub, Blower
7	413-0029-00	3	Nut-Hex	18	419-0006-00	1	.312 ID X .875OD X .1875 THK F/W NYL
8	413-0019-00	4	5/16-18 Nylon Insert Flange L/Nut Zc	19	116-7230	3	Screw-HHF
9	322-47	1	Screw-HH	20	426-0241-00-P11	1	2020 Rt/Srt Univ Float Seat Cvr PLT
10	413-0016-00	1	.312Idx.625Odx.062 THK Thrust Brg Oi Brz	21	484-0002-00	1	Stand Up Mwr Brake Arm Grip
				99	486-0036-00	1	Mwr Seat Switch

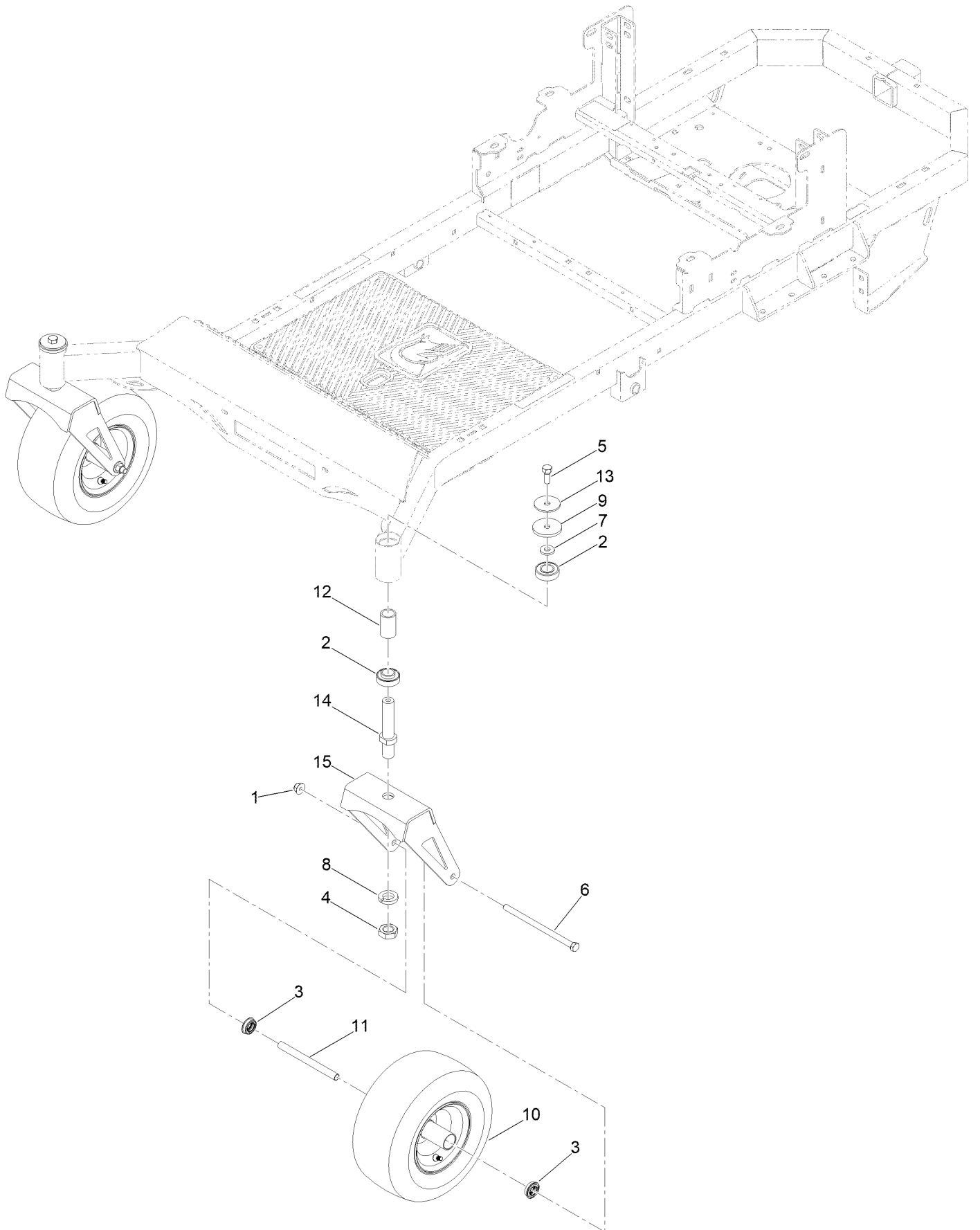
# Motion Control and Parking Brake Assembly



# Motion Control and Parking Brake Assembly (continued)

<i>Ref.</i>	<i>Part Number</i>	<i>Qty.</i>	<i>Description</i>	<i>Ref.</i>	<i>Part Number</i>	<i>Qty.</i>	<i>Description</i>
1	148-0888-05	1	LH Pivot ASM	31	486-0030-00	2	No Plunger Limit Switch
2	148-0889-05	1	RH Pivot ASM	32	418-0032-00	4	8-32 X 1/2 Ind. HWH Slot Type F Tcs Zinc
3	148-0886	4	Bushing-Flange	33	439-0009-00-P11	1	Mwr Frame Brake Mtg Brkt Paint
4	148-0897	4	Bushing-Flange	34	410-0009-00	1	1/2In ID X 3/4In OD X 3/8In Flange Bush
5	148-0885	2	Sleeve-Pivot	35	490-0016-00-P11	1	Mwr Brake Lock Lever Assy Painted
6	109-5575	2	Spring-Leaf	36	139-2631	1	Screw-HH
7	419-0003-00	2	1/2 Fender Washer 1-1/4In OD Zinc	37	413-0002-00	1	Nut-Lock
8	418-0050-00	2	1/2-13 X 3 Hex C/S GR 5 Zinc W/LocTite	38	418-0027-00	3	Bolt-HH
9	431-0001-00	2	Height Adjustable Control Arm	39	435-0004-00	1	Mwr Brake Linkage
10	403-0020-00-P11	2	Mwr Drive Handle Tube Painted	40	3272-11	1	Pin-Cotter
11	484-0001-00	2	Control Arm Handle Grip	41	413-0052-00	1	3/8 ID X 3/4 OD X .125 THK Bronze Washer
12	116-7230	6	Screw-HHF	42	490-0017-00-P11	1	Mwr Brake Unlock Lever Assy Painted
13	323-20	2	Screw-HH	43	413-0012-00	4	1/4-20 Hex Flange Nut
14	419-0007-00	2	Washer-Flat	44	418-0029-00	2	1/4-20 X 1-1/4 Hex C/S GR 2 Zinc
15	148-1012	4	Washer-Belleville	45	323-7	1	Screw-HH
16	413-0013-00	3	3/8-16 Nylon Insert Flange L/Nut Yz	46	418-0008-00	3	Bolt-CARR
17	418-0054-00	2	Screw-HH	47	413-0020-00	2	3/8-16 Hex Flange Nut W/Serr Zinc Yellow
18	413-0027-00	6	Nut-HF, NI	48	434-0015-00	1	2020 Mwr Brake Pedal Tension Spring
19	410-0070-00	2	5/16-24 Spher Rod End Zinc LH Thd Fem	49	434-0003-00	1	Mwr Brake Pedal Release Spring
21	435-0033-00	2	1310 Ttq Drive Arm Rod	50	148-0911-P11	1	ASM, Gt-Trac [gray]
22	410-0071-00	2	5/16-24 Spher Rod End Zinc RH Thd Fem	51	429-0002-00	2	Push-In Rubber Bumper
23	3220-20	2	Nut-Jam	52	618-2023-00	4	Screw-CARR
24	09207	2	Nut	53	413-0029-00	4	Nut-Hex
25	322-47	8	Screw-HH	56	240-6	1	Grommet-Rubber
26	413-0022-00	17	Nut-HF	57	148-1492-05	2	Plate-Damper
27	487-0005-00	4	5/16-18X1.286 Damper Ball Stud (.562 TI)	58	418-0110-00	2	.767Idx1.125Odx.016 THK Trip Wv Washer
28	487-0001-00	2	Control Arm Damper				
29	613-0065-00	2	Standoff-Hex				
30	3234-28	2	Screw-HHF				

# Caster Tire Assembly



## Caster Tire Assembly (continued)

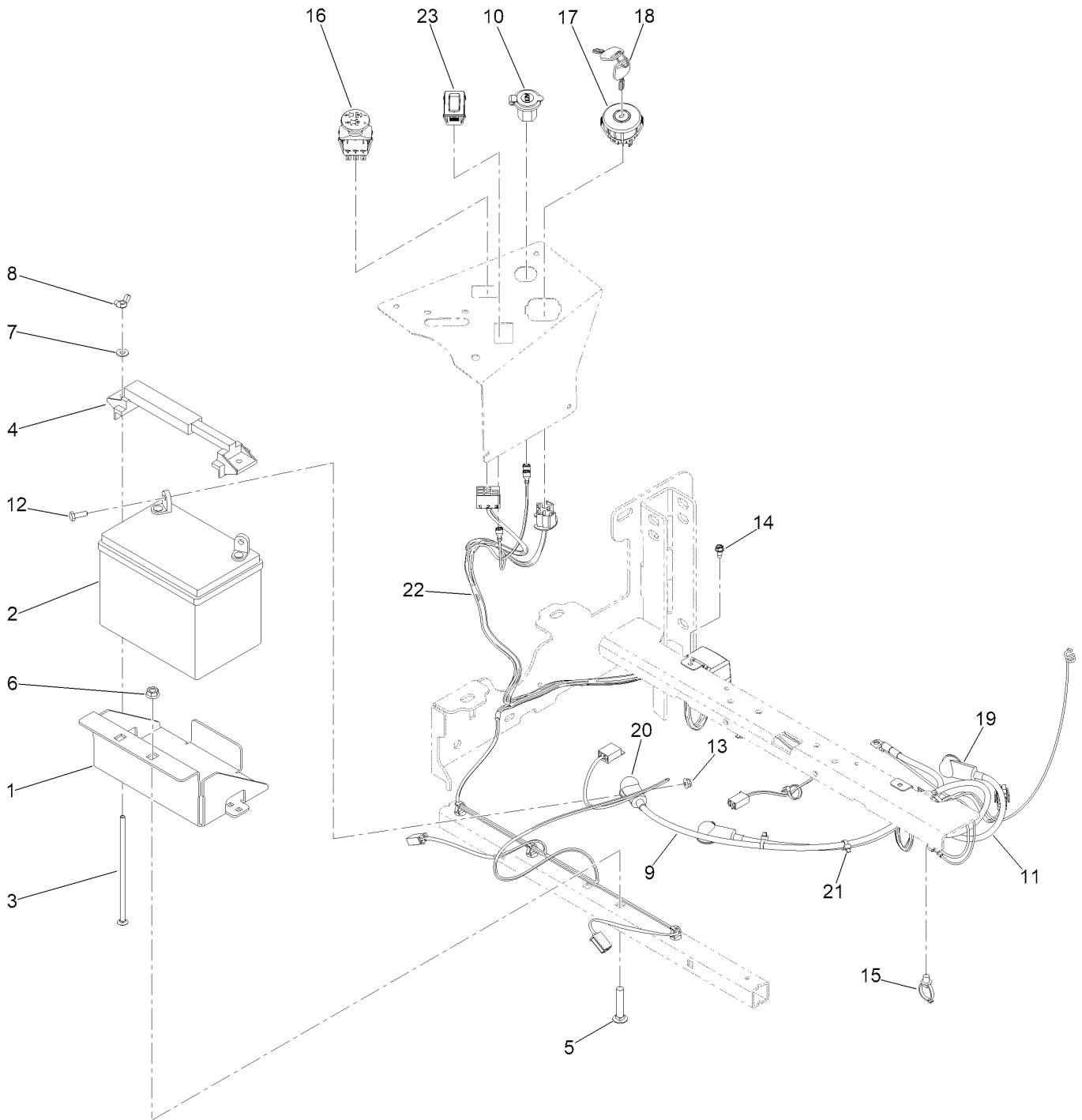
<i>Ref.</i>	<i>Part Number</i>	<i>Qty.</i>	<i>Description</i>	<i>Ref.</i>	<i>Part Number</i>	<i>Qty.</i>	<i>Description</i>
1	413-0002-00	2	Nut-Lock	8	419-0024-00	2	1In L/W Med Split Zc
2	103-3540	4	Bearing-Ball	9	419-0025-00	2	Ft Hub Plastic Washer
3	410-0018-00	4	Rz Ft Wheel Bearing	10	422-0027-00	2	Rz/Rt Pro Ft Tire
4	413-0063-00	2	Nut-Hex				Assy-Smooth Tread
5	418-0002-00	2	1/2-20 X 1-1/4 Hex Flange	11	425-0010-00	2	Mwr Ft Wheel Spanner
			Bolt GR 8 Yz	12	425-0011-00	2	Caster Fork Shaft Bearing
6	418-0003-00	2	1/2-13 X 8-1/2 Hex C/S GR				Spacer
			5 Zinc Yellow	13	426-0006-00-P11	2	Mwr Caster Shaft Washer
7	419-0003-00	2	1/2 Fender Washer 1-1/4In	14	437-0019-00	2	Mwr Caster Shaft
			OD Zinc	15	490-0046-00-P11	2	Rz Caster Fork ASM



## Drive Wheel Assembly (continued)

<i>Ref.</i>	<i>Part Number</i>	<i>Qty.</i>	<i>Description</i>	<i>Ref.</i>	<i>Part Number</i>	<i>Qty.</i>	<i>Description</i>
1	148-1009	2	Tire-ASM	1:2	148-1011	1	Tire
1:1	148-1010	1	Wheel	2	413-0015-00	8	1/2-20 Lugnut

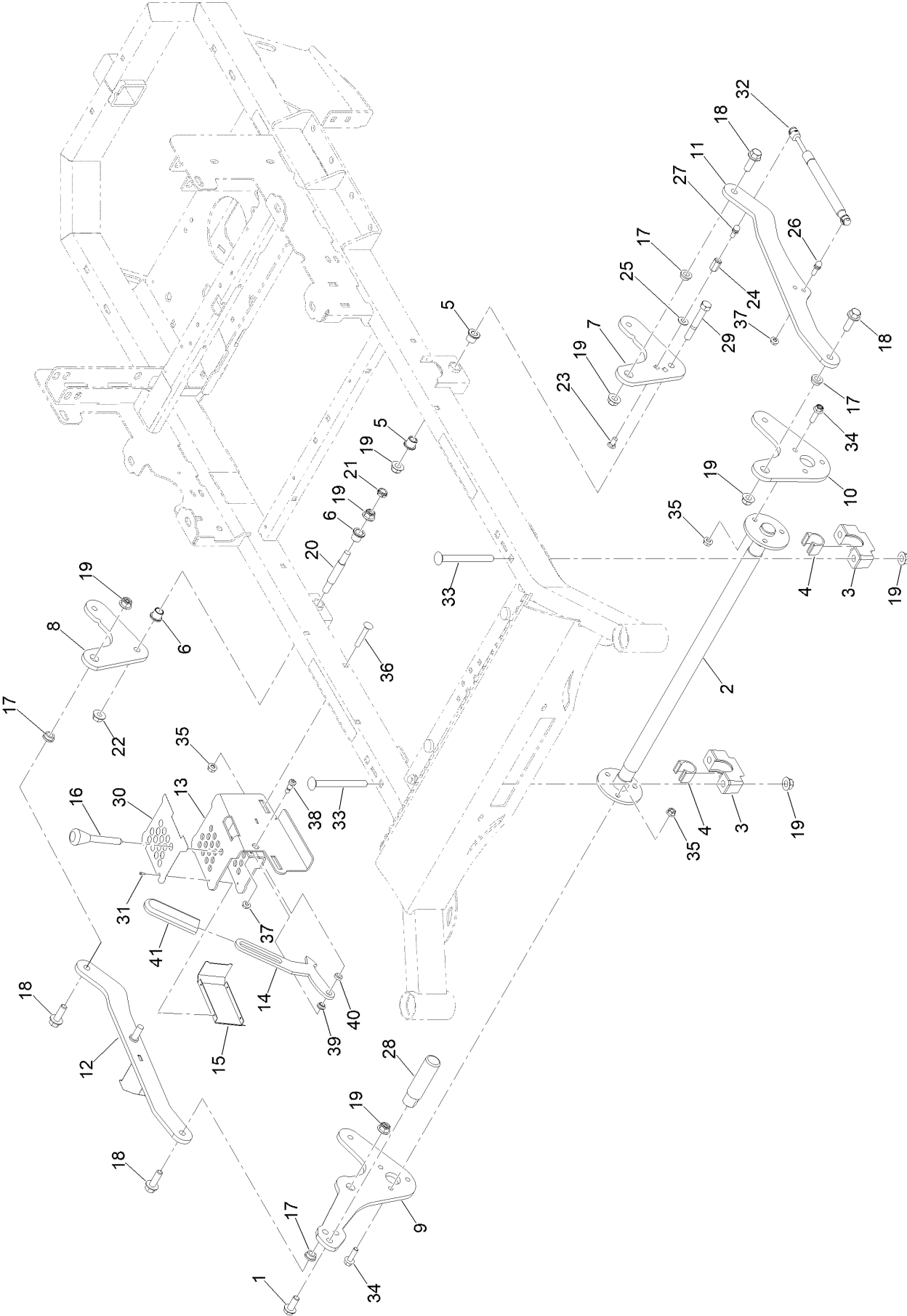
# Electrical Assembly



## Electrical Assembly (continued)

<i>Ref.</i>	<i>Part Number</i>	<i>Qty.</i>	<i>Description</i>	<i>Ref.</i>	<i>Part Number</i>	<i>Qty.</i>	<i>Description</i>
1	439-0008-00-P11	1	Mwr Battery Box	12	321-4	2	Screw-HH
2	468-1004-00	1	12 Volt Start Battery 300CCA	13	104-7201	2	Nut-HF, NI
3	418-0034-00	2	1/4-20 X 7 Carriage Bolt Zinc	14	120-9551	2	Screw-HWH
4	443-0001-00	1	Battery Hold Down	15	32180-030	1	Clip-Tie
5	3231-6	2	Screw-CARR	16	486-0060-00	1	PTO Switch
6	413-0020-00	2	3/8-16 Hex Flange Nut W/Serr Zinc Yellow	17	486-0062-00	1	Ignition Switch
7	515-0038	2	Washer-Flat	18	148-1494	1	Key-Ignition
8	1-803038	2	Wingnut	19	436-0002-00	1	3.15 Lgth Straight Insul Term Cover Red
9	486-0017-00	1	Mwr Negative Cable 28	20	436-0003-00	1	Straight Insulating Terminal Cover
10	677-2075-00	1	12 Volt Auxilliary Plug	21	3290-379	6	Tie-Cable
11	486-0016-00	1	Mwr Positive Battery Cable 25In	22	148-1014	1	Harness-Wire
				23	148-1063	1	Hour Meter

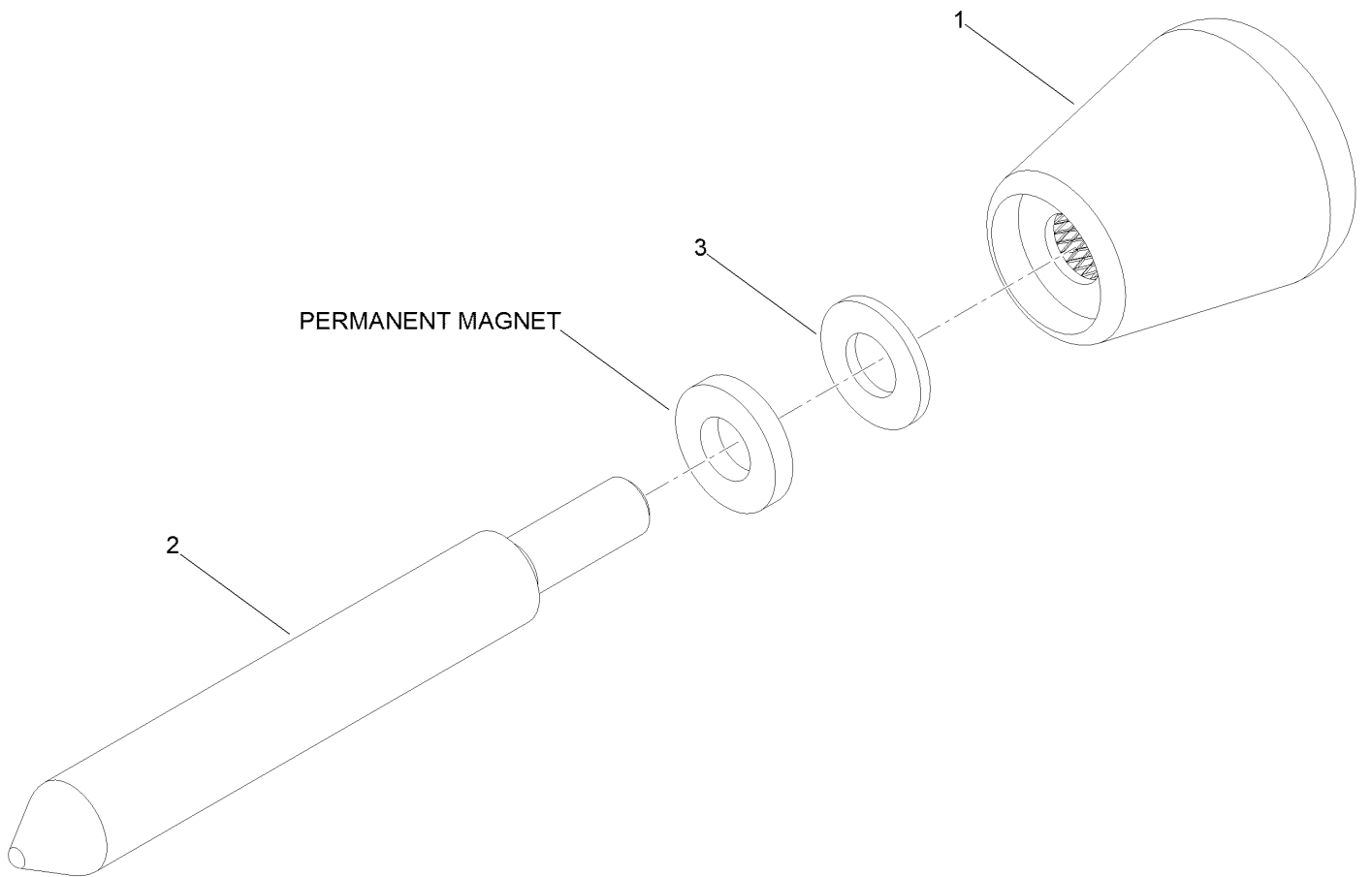
# Decklift Assembly



## Decklift Assembly (continued)

<i>Ref.</i>	<i>Part Number</i>	<i>Qty.</i>	<i>Description</i>	<i>Ref.</i>	<i>Part Number</i>	<i>Qty.</i>	<i>Description</i>
1	148-0095	1	1/2-13X1.25In Hex Flange Bolt (GR.8) Yz	23	618-2068-00	1	3/8 X 3/4In GR 8 CARR Bolt Zinc
2	148-1074	1	Decklift-Front	24	148-0422	1	Hex Coupling Nut-Reducer
3	148-1085	2	Support-Bearing Housing	25	419-0007-00	1	Washer-Flat
4	109-9410	2	Bearing-Cross Shaft, Front	26	487-0008-00	1	5/16-18X1.286 Damper Ball Stud (.562 TI)
5	135-5694	2	Bushing-Flange	27	487-0005-00	1	5/16-18X1.286 Damper Ball Stud (.562 TI)
6	135-9063	2	Bushing-Flange	28	148-0951	1	Pedal
7	148-1003-P11	1	(Rz Rear HOC Hanger)	29	418-0042-00	1	1/2-13 X 3-1/2 Hex C/S GR 5 Zinc Yellow
8	148-0418-P11	1	Arm-Decklift Rear (3/8")	30	148-1036	1	Decal-Height Of Cut
9	148-0950-P11	1	Lever-Lift	31	923786	4	Rivet
10	148-1075-P11	1	Plate-Decklift, Arm LH	32	434-0008-00	1	Rz Deck Assist Gas Spring
11	148-0940-P11	1	Link-HOC(Left Side)	33	148-1080	4	Screw-CARR
12	148-0941-P11	1	Link ASM-HOC(Right Side Welded)	34	148-1087	6	Screw-HHF
13	148-0946-P11	1	Bracket-HOC ASM	35	413-0029-00	8	Nut-Hex
14	148-0943	1	Plate-Transport Lock	36	618-2023-00	2	Screw-CARR
15	148-0949-P11	1	Cover-HOC	37	413-0022-00	2	Nut-HF
16	148-1450	1	HOC Pin ASM	38	418-0083-00	1	3/8 X 1/2 Socket Shoulder Bolt Yz
17	410-0009-00	4	1/2In ID X 3/4In OD X 3/8In Flange Bush	39	148-1211	1	Bushing-Flange
18	100-6116	4	Screw-HHF	40	148-1212	1	Washer-Plain
19	413-1005-00	10	1/2-13 Hex Flange 2-Way Rev Cntr L/Nyz	41	484-0002-00	1	Stand Up Mwr Brake Arm Grip
20	418-0276-00	1	Rr Deck Height Bolt				
21	3296-45	1	Nut-Hex				
22	32128-49	1	Nut-HHF				

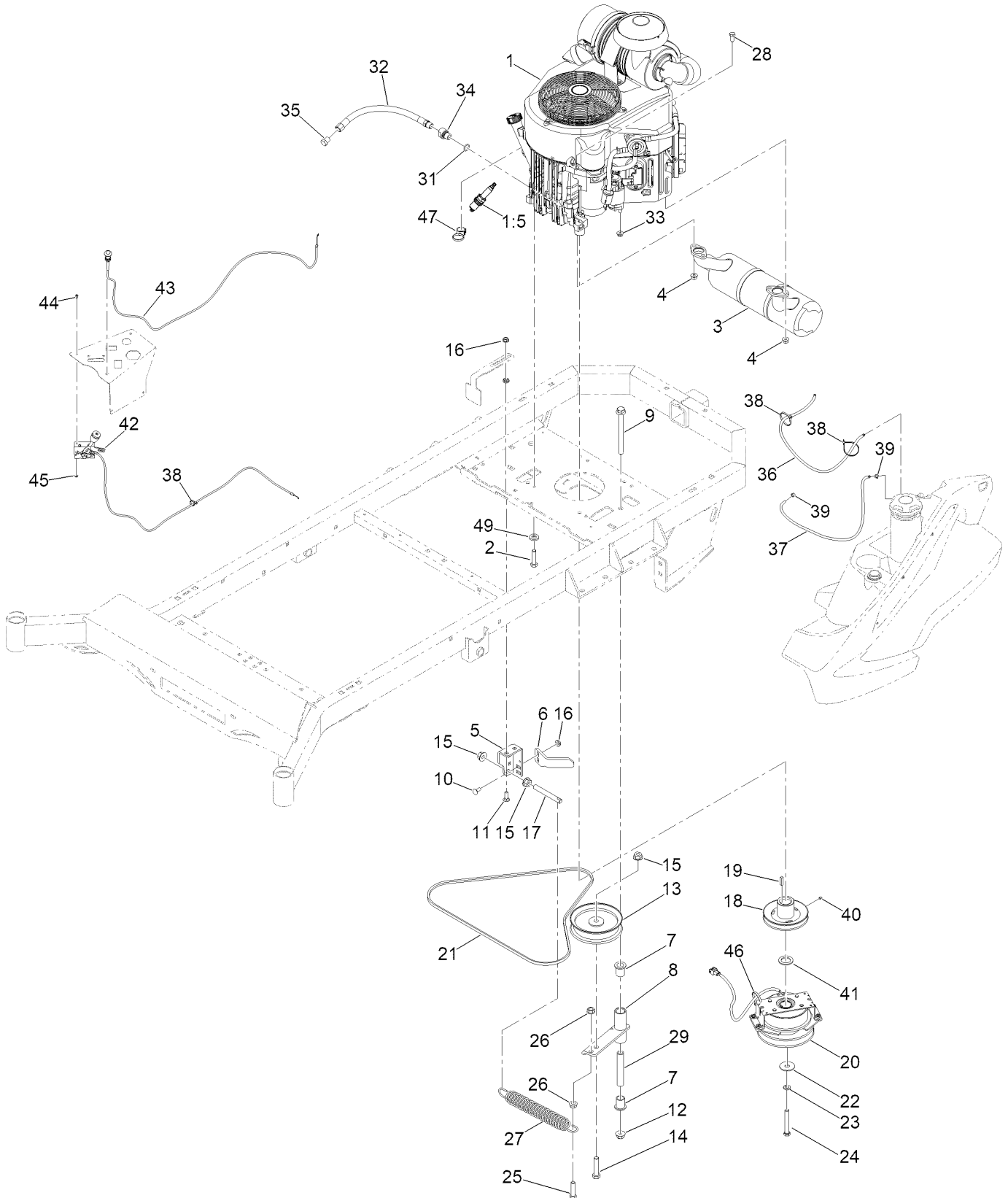
# HOC Pin Assembly No. 148-1450



## HOC Pin Assembly No. 148-1450 (continued)

<i>Ref.</i>	<i>Part Number</i>	<i>Qty.</i>	<i>Description</i>
1	126-7390	1	Knob-Tapered
2	148-1451	1	Pin-HOC
3	3256-23	1	Washer-Plain

# Engine Assembly



## Engine Assembly (continued)

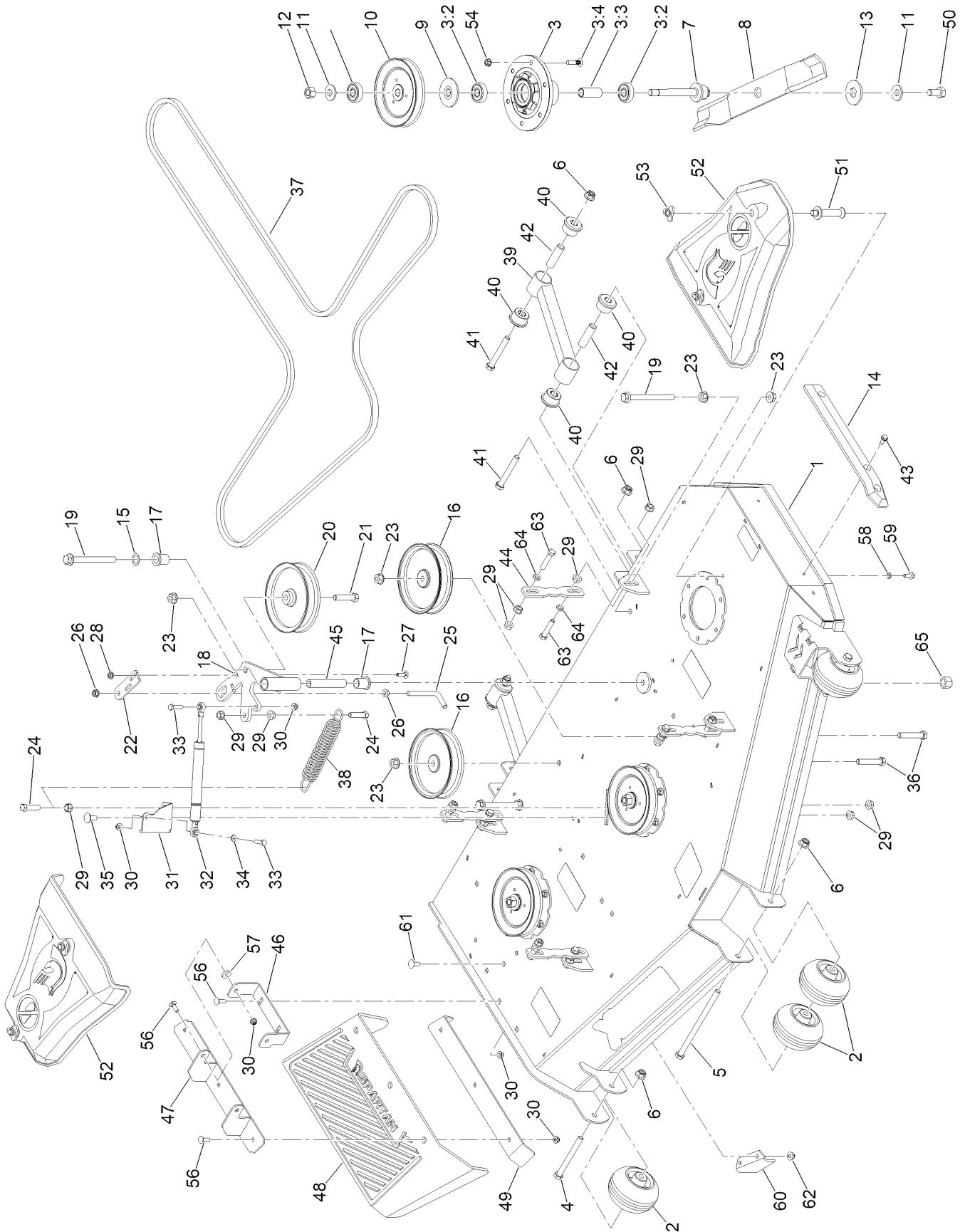
<i>Ref.</i>	<i>Part Number</i>	<i>Qty.</i>	<i>Description</i>	<i>Ref.</i>	<i>Part Number</i>	<i>Qty.</i>	<i>Description</i>
1		1	Engine-Kawasaki, Fx730V ■▲	22	419-0001-00	1	1/2In X 1-5/8 Belleville Cup Washer Yz
1:1	119-5852	1	Filter-Oil ●	23	3253-6	1	Washer-Lock
1:2	142-6949	1	Filter-Fuel ●	24	418-0223-00	1	Ttq Clutch Bolt
1:3	119-5945	1	Element-Filter, Air (Inner) ●	25	418-0013-00	1	Bolt-HH
1:4	119-5944	1	Element-Filter, Air (Outer) ●	26	32128-37	2	Nut-HF
1:5	92-2153	2	Plug-Spark	27	434-0007-00	1	Mwr Deck Spring
2	323-50	4	Bolt-HH	28	418-0278-00	1	M8-1.25 X 20MM Hex Flange Bolt Zinc 10.9
3	148-0193	1	Exhaust	29	425-0006-00	1	Mwr Inner Idler Spacer
4	104-2612	4	Nut-HF	31	139-8387	1	Ring-O,15.8X2.4
5	439-0244-00-05	1	Mwr Pump Idler Tensioning Brkt	32	117-1261	1	Hose-Drain, Oil
6	439-0493-00-05	1	2021 Ttq Mower Ogura Clutch Bracket	33	112-2844	1	Nut-HF
7	410-0007-00	2	3/4In ID X15/16In OD X 1-1/8In Flng Bush	34	148-1263	1	3/8" FNPT To M20X2.5 Adapter 59071-7023
8	490-0018-00-05	1	Mwr Pump Idler ASM	35	148-1266	1	3/8 MNPT Oil Plug
9	418-0009-00	1	1/2-13 X 5-1/2 Hex Flange Bolt GR 8 Zy	36	451-0002-00	32	Mwr Fuel Tank Black 3/16In Vent Tube 1Ft
10	418-0008-00	2	Bolt-CARR	37	751-1014-00	6	1/4In SAE J30R7 Bulk Hose 1Ft
11	418-0062-00	2	5/16-18 X 1-1/4 Carriage Bolt Zc/Yel	38	3290-379	3	Tie-Cable
12	413-0002-00	2	Nut-Lock	39	472-0004-00	2	1/2In (#8) Hose Clamp
13	433-0013-00	1	5-3/4In Idler Pulley 7/16In Spacer ASM	40	418-0280-00	1	5/16-18 X 3/8 Socket Set Screw
14	325-9	1	Screw-HH	41	3-6781	1	Washer-Flat
15	32128-49	2	Nut-HHF	42	464-0001-00	1	Mwr Throttle Cable ASM W/Handle
16	413-0022-00	6	Nut-HF	43	464-0002-00	1	Mwr Choke Cable Assm
17	430-0001-00	1	Mwr Pump Idler Spring Tensioner	44	418-0055-00	2	10-24 X 1/2 Socket C/S 18-8 SS
18	433-0001-00	1	Mwr Hydraulic Pump Drive Pulley (A Belt)	45	110-3145	2	Nut-Lock
19	1-807259	1	Key	46	414-0001-00	1	6In (40 Lb) Cable Tie Nylon Uv
20	470-0004-00	1	Mwr Ttq Ogura Clutch	47	148-1495	1	Zip Tie-Hose, Clamp
21	461-0004-00	1	Mwr Pump Belt Rt A X 68.25In Eff Lngth	49	115-1166	4	Washer-Plain

● Not illustrated

▲ Obtain parts from [www.kawpower.com](http://www.kawpower.com)

■ Not serviced separately

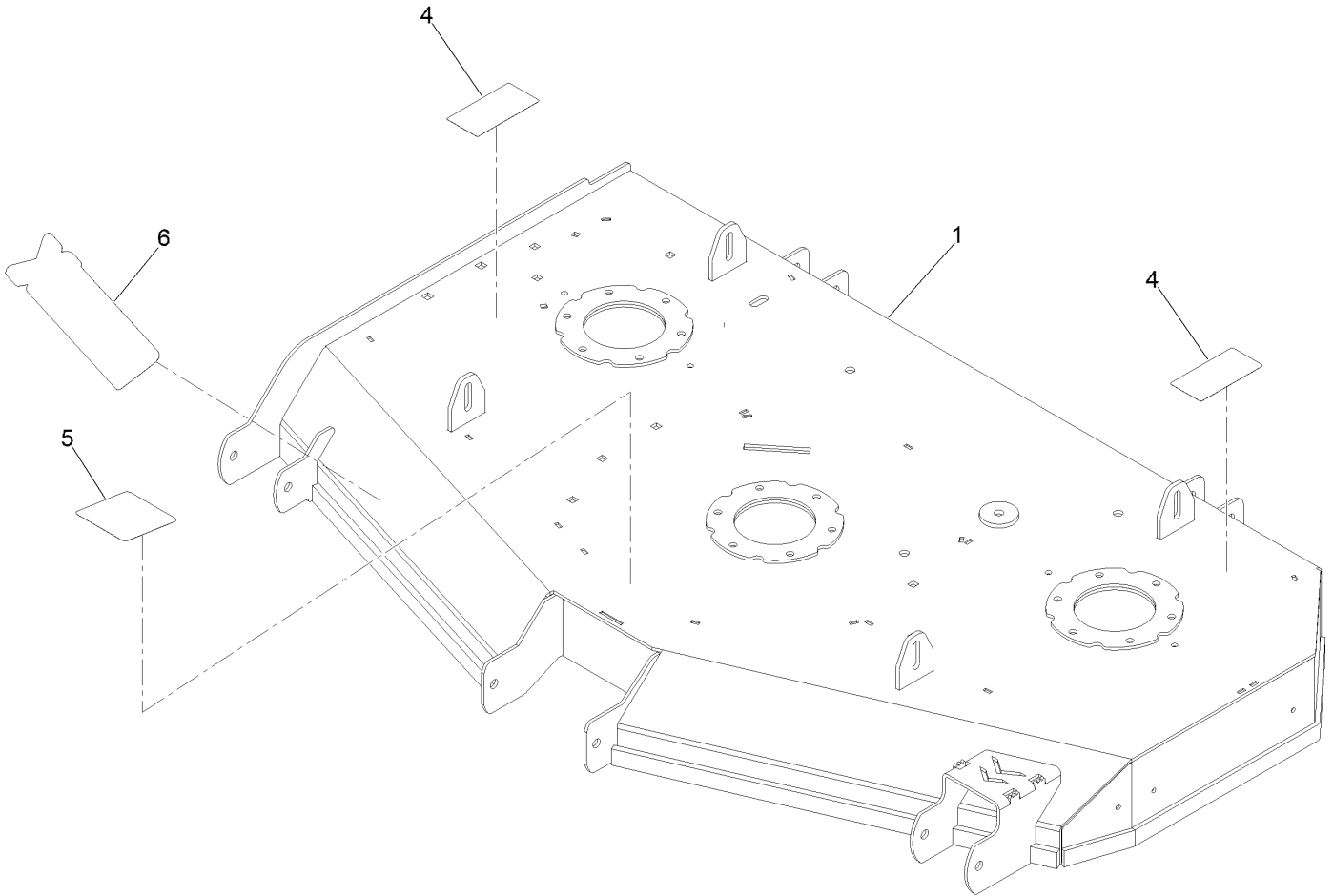
# 60 Inch Cutting Deck Assembly



## 60 Inch Cutting Deck Assembly (continued)

<i>Ref.</i>	<i>Part Number</i>	<i>Qty.</i>	<i>Description</i>	<i>Ref.</i>	<i>Part Number</i>	<i>Qty.</i>	<i>Description</i>
1	148-0979	1	60 Inch Deck ASM W/Decals	31	439-0335-00-P11	1	Deck Belt Idler Damper Mtg Brkt Painted
2	422-0061-00	4	Mwr Anti-Scalp Whl W/O Grease Fitting	32	434-0009-00	1	Idler Gas Spring
3	148-0002	3	Spindle ASM 5In Deck	33	322-47	2	Screw-HH
3:2	116-4004	2	Bearing	34	413-0016-00	1	.312Idx.625Odx.062 THK Thrust Brg Oi Brz
3:3	148-0025	1	Spacer, Bearing	35	3232-1	1	Screw-CARR
3:4	116-3473	6	Bolt-Round Head	36	418-0246-00	2	1/2-13 X 2-3/4 Hex Flange Bolt (GR.8) Yz
4	418-0016-00	2	Screw-HH	37	126-7443	1	Belt-V
5	418-0015-00	1	1/2-13 X 8-1/2 Hex C/S GR 2 Zinc Yellow	38	434-0007-00	1	Mwr Deck Spring
6	413-0002-00	7	Nut-Lock	39	490-0047-00-05	2	Rz Mwr Deck Stablzr ASM
7	148-0105	3	Shaft - Spindle	40	732-2000-00	8	Red A80 Susp Bushing
8	148-0939	3	Blade-Rotary	41	418-0021-00	4	1/2-13 X 3-3/4 Hex C/S (GR.5) Zc/Yel
9	148-0102	3	Guard-Bearing Top 0.673In	42	732-2001-00	4	UTV A-Arm Bushing Sleeve
10	148-0938	3	Pulley	43	9264964	3	Screw-HWH, Thread Cut
11	148-0114	6	M16 Spring Washer (39Mmod/ 3.9MM THK)	44	148-0236-P11	4	Hanger-Deck Painted Grey
12	148-0112	3	M16X1.5 C8.8 Hex Nut	45	425-0006-00	1	Mwr Inner Idler Spacer
13	148-0108	3	Washer-Hex	46	148-0999-00-P11	1	Bracket-Chute
14	429-0001-00	1	Mwr Nylon Deck Guard	47	148-0836-P11	1	Deck Chute Hinge ASM
15	418-0110-00	1	.767Idx1.125Odx.016 THK Trip Wv Washer	48	481-0010-00	1	Rz Mwr Rubber Discharge Chute
16	433-0015-00	2	6-3/4In Idler Pulley 15/16In Spacer Assy	49	439-0431-00-05	1	Mwr Deck Chute Hinge Backer Brkt
17	410-0007-00	2	3/4In ID X15/16In OD X 1-1/8In Flng Bush	50	148-0109	3	M16X1.5-30MM C10.9 Hex Bolt
18	490-0019-00-P11	1	Mwr Deck Idler Pulley Arm Assy Paint	51	148-0094	4	Pin-Belt Cover
19	418-0009-00	3	1/2-13 X 5-1/2 Hex Flange Bolt GR 8 Zy	52	148-0093	2	Cover-Belt
20	433-0014-00	1	6-3/4In Idler Pulley 7/16In Spacer ASM	53	148-0234	4	Nut-Knob
21	325-9	1	Screw-HH	54	413-0029-00	18	Nut-Hex
22	439-0257-00-P11	1	Deck Idler Pulley Belt Retnr Brkt Paint	56	418-0060-00	7	5/16-18 X 1 Carriage Bolt GR 8 Yz
23	32128-49	7	Nut-HHF	57	419-0006-00	2	.312 ID X .875OD X .1875 THK F/W NYL
24	324-7	2	Screw-HH	58	3253-4	4	Washer-Lock
25	148-1137	1	Bolt-L	59	116-7230	4	Screw-HHF
26	413-0020-00	2	3/8-16 Hex Flange Nut W/Serr Zinc Yellow	60	107-8541-05	1	Baffle-Discharge
27	418-0010-00	2	Bolt-CARR	61	3231-27	2	Screw-CARR
28	413-0022-00	2	Nut-HF	62	119-4042	2	Nut-HF, NI
29	32128-37	21	Nut-HF	63	324-8	8	Screw-HH
30	413-0027-00	9	Nut-HF, NI	64	419-0010-00	8	.443 ID X .749 OD X .125 THK Nylon Black
				65	3296-23	1	Nut-Lock, NI

# Deck Decal Assembly No. 148-0979

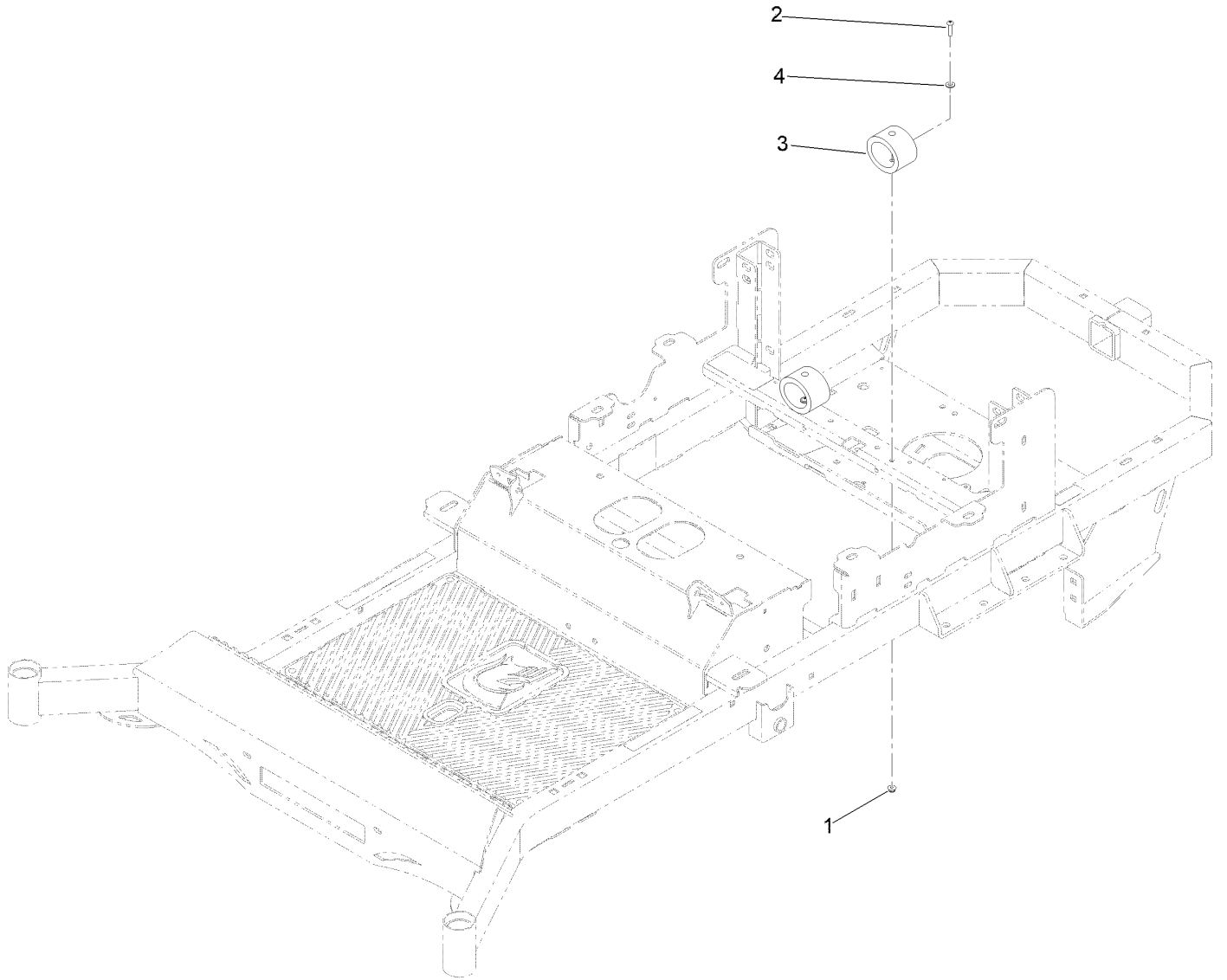


# Deck Decal Assembly No. 148-0979 (continued)

<i>Ref.</i>	<i>Part Number</i>	<i>Qty.</i>	<i>Description</i>	<i>Ref.</i>	<i>Part Number</i>	<i>Qty.</i>	<i>Description</i>
1		1	Deck ASM-60 ●	5	148-1479	1	Decal-Belt Routing
4	161-6620	2	Decal-Danger, Deck	6	148-0443	1	Decal-Xtf

● Not serviced separately

# Seat Suspension Assembly



## Seat Suspension Assembly (continued)

<i>Ref.</i>	<i>Part Number</i>	<i>Qty.</i>	<i>Description</i>	<i>Ref.</i>	<i>Part Number</i>	<i>Qty.</i>	<i>Description</i>
1	104-7201	2	Nut-HF, NI	3	487-0004-00	2	Seat Rr Susp Elastomer
2	418-0039-00	2	1/4-20 X 1 Button Socket C/S 18-8 SS	4	515-0038	2	Washer-Flat

**Notes:**

**Notes:**

