



RZ-HD 60in Mower

Model No. RSZL116027CXI—Serial No. 420000000 and Up

Parts Catalog



Ordering Replacement Parts

To order replacement parts, please supply the part number, the quantity, and the description of each part desired.

Understanding Reference Numbers

Each identified part in an illustration has a reference number. The reference number for a part also appears in the parts list, along with other information about the part.

This catalog uses two special reference number formats, one to indicate parts in a service assembly and another to indicate the quantity of a given part in an illustration.

Service Assembly Reference Numbers

Parts in service assemblies have reference numbers in the form a:b. The a represents the reference number of the entire service assembly and the b represents a sequential number unique to each part within the service assembly.

For example, a wheel assembly might be identified by reference number 6, the tire by 6:1, the valve by 6:2, and the wheel by 6:3. When you order the assembly identified by reference number 6, you receive all parts identified by reference numbers 6:1, 6:2, and 6:3. However, you may also order any part individually. Reference numbers of this type appear in illustration and in parts lists.

Reference Numbers Indicating Quantity

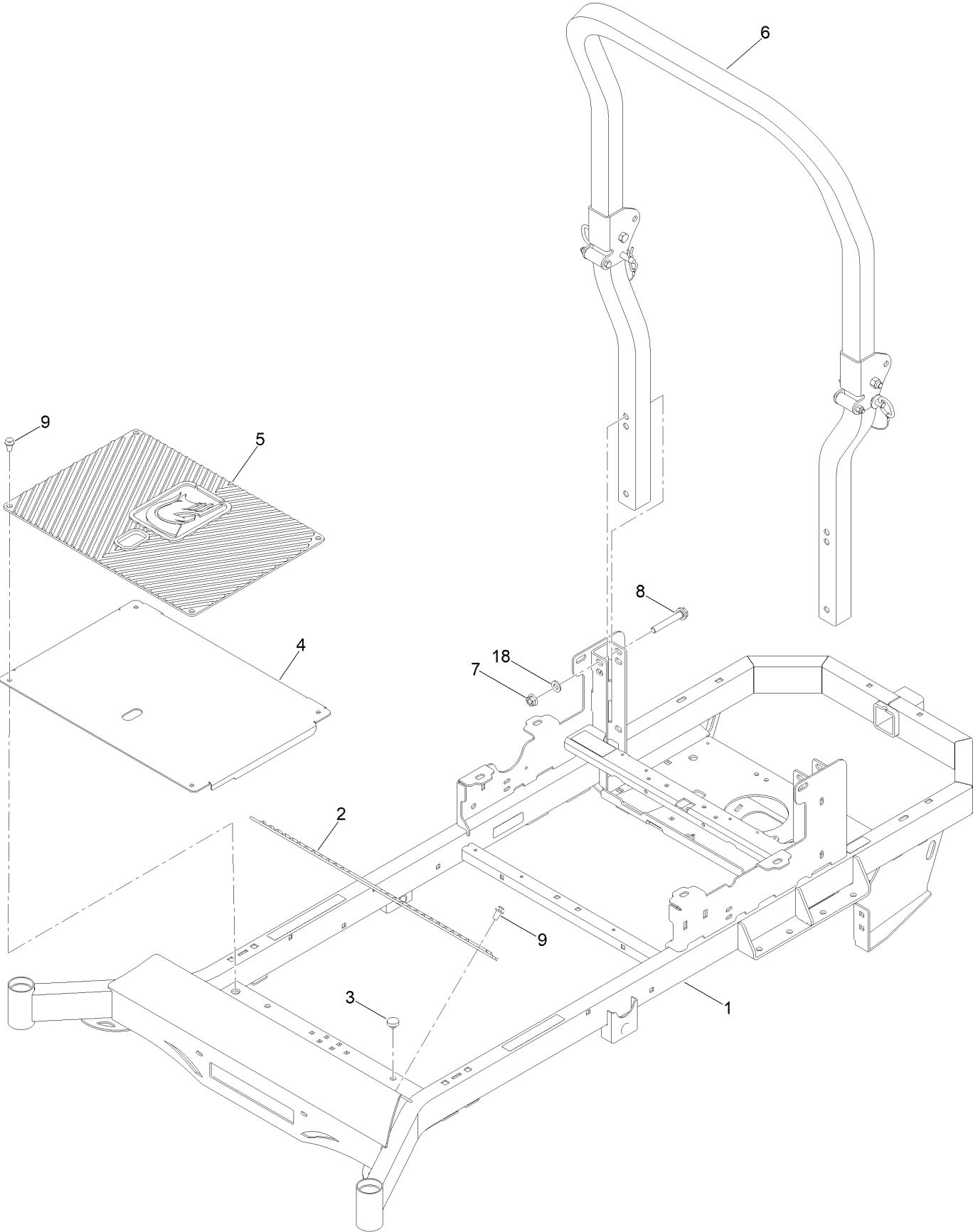
In an illustration, if a reference number indicates more than one part, the reference number has the form nX y. The n represents the quantity of the part, the X is the multiplication symbol, and the y represents the reference number.

For example, in an illustration, the reference number 2X 37 means that two of the parts identified by reference number 37 are indicated.

Contents

Main Frame Assembly	4
Frame with Decals Assembly No. 148-0997	6
Transmission Assembly	8
Body Styling Assembly	10
Fuel Tank Assembly	12
Fuel Tank Assembly No. 467-0001-00	14
Seat Assembly	16
Motion Control and Parking Brake Assembly	18
Caster Tire Assembly	20
Drive Wheel Assembly	22
Electrical Assembly	24
Decklift Assembly	26
HOC Pin Assembly No. 148-1450	28
Engine Assembly	30
60 Inch Cutting Deck Assembly	32
Deck Decal Assembly No. 148-0979	34
Seat Suspension Assembly	36

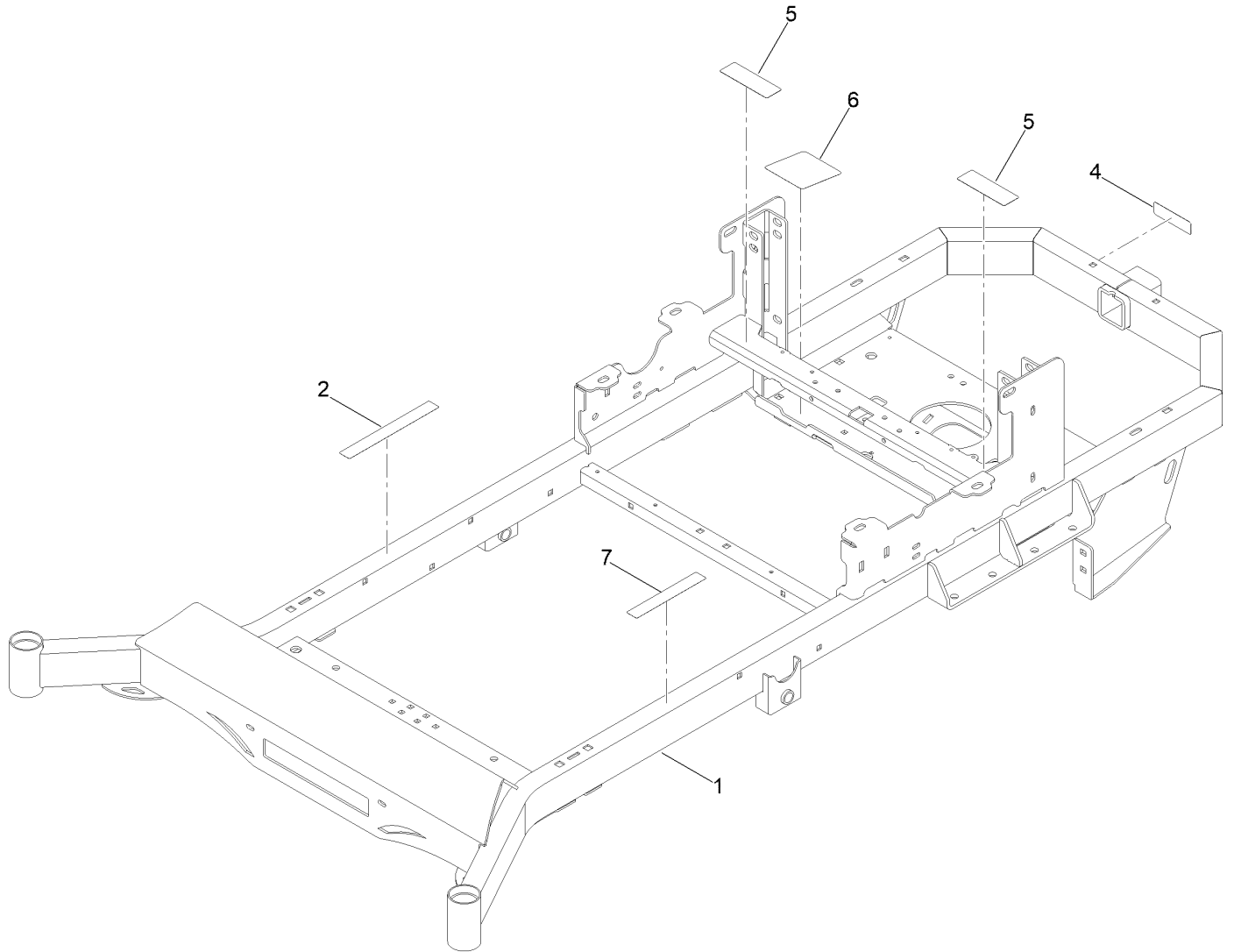
Main Frame Assembly



Main Frame Assembly (continued)

<i>Ref.</i>	<i>Part Number</i>	<i>Qty.</i>	<i>Description</i>	<i>Ref.</i>	<i>Part Number</i>	<i>Qty.</i>	<i>Description</i>
1	148-0997	1	Frame ASM-Decals	7	413-0014-00	4	1/2-13 Hex Stover Locknut GR C Zinc
2	481-0005-00	1	Mwr Rubber Foot Rest Mat	8	418-0019-00	4	Bolt-HF
3	429-0002-00	2	Push-In Rubber Bumper	9	414-0002-00	10	8MM Push Type Retainer Nylon Black
4	439-0007-00-P11	1	Mwr Floorboard Paint	18	106-9888	4	Washer-Flat
5	481-0006-00	1	Mwr Logo Floor Mat				
6	148-0233	1	ROPS				

Frame with Decals Assembly No. 148-0997

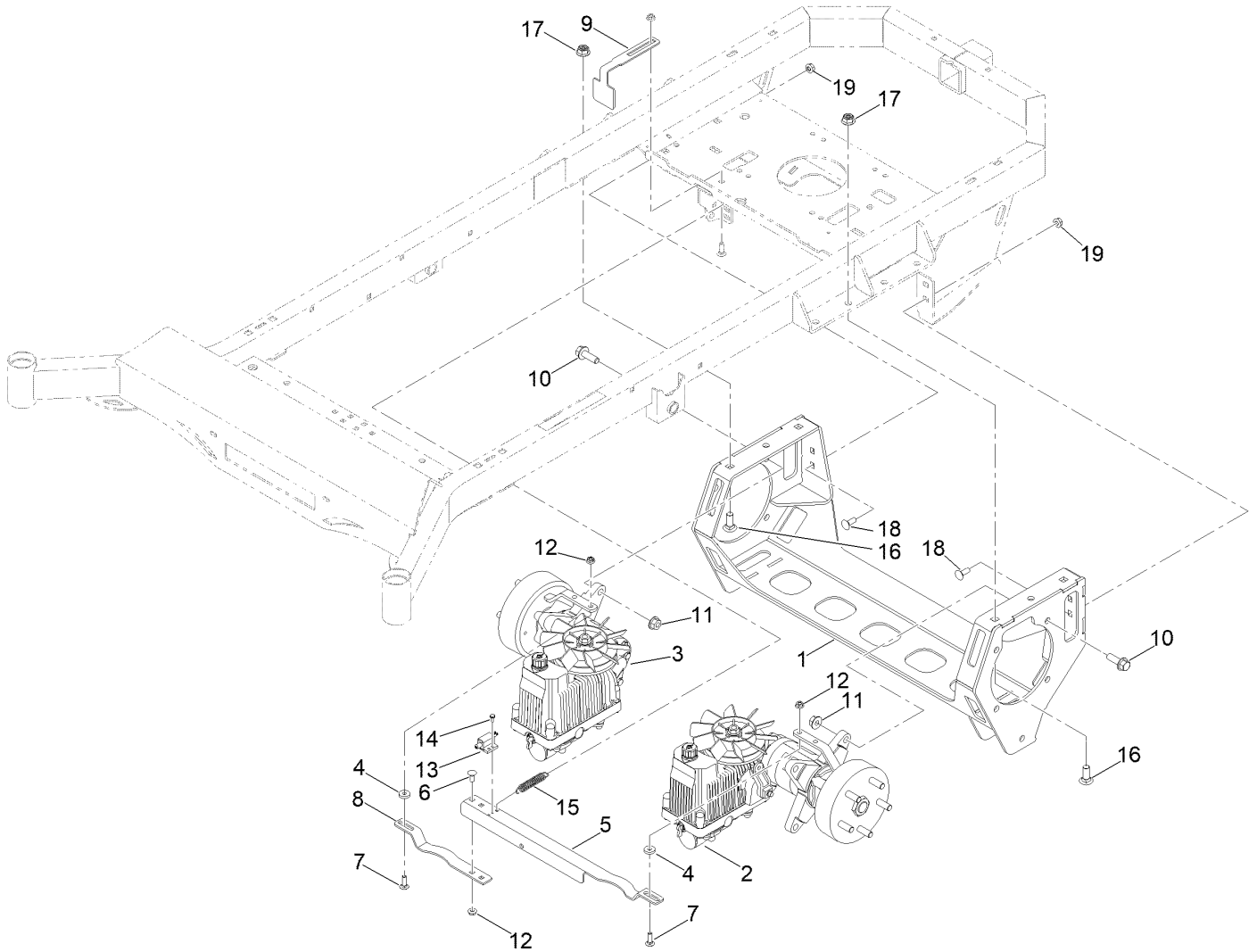


Frame with Decals Assembly No. 148-0997 (continued)

<i>Ref.</i>	<i>Part Number</i>	<i>Qty.</i>	<i>Description</i>	<i>Ref.</i>	<i>Part Number</i>	<i>Qty.</i>	<i>Description</i>
1		1	Ztr Frame ASM ●	5	148-1308	2	Decal-Warn Rotating Device
2	148-1095	1	Decal-Warning	6	148-1480	1	Decal-Belt Routing
4	147-7364	1	Decal-Hitch	7	148-1094	1	Decal-Warning

● Not serviced separately

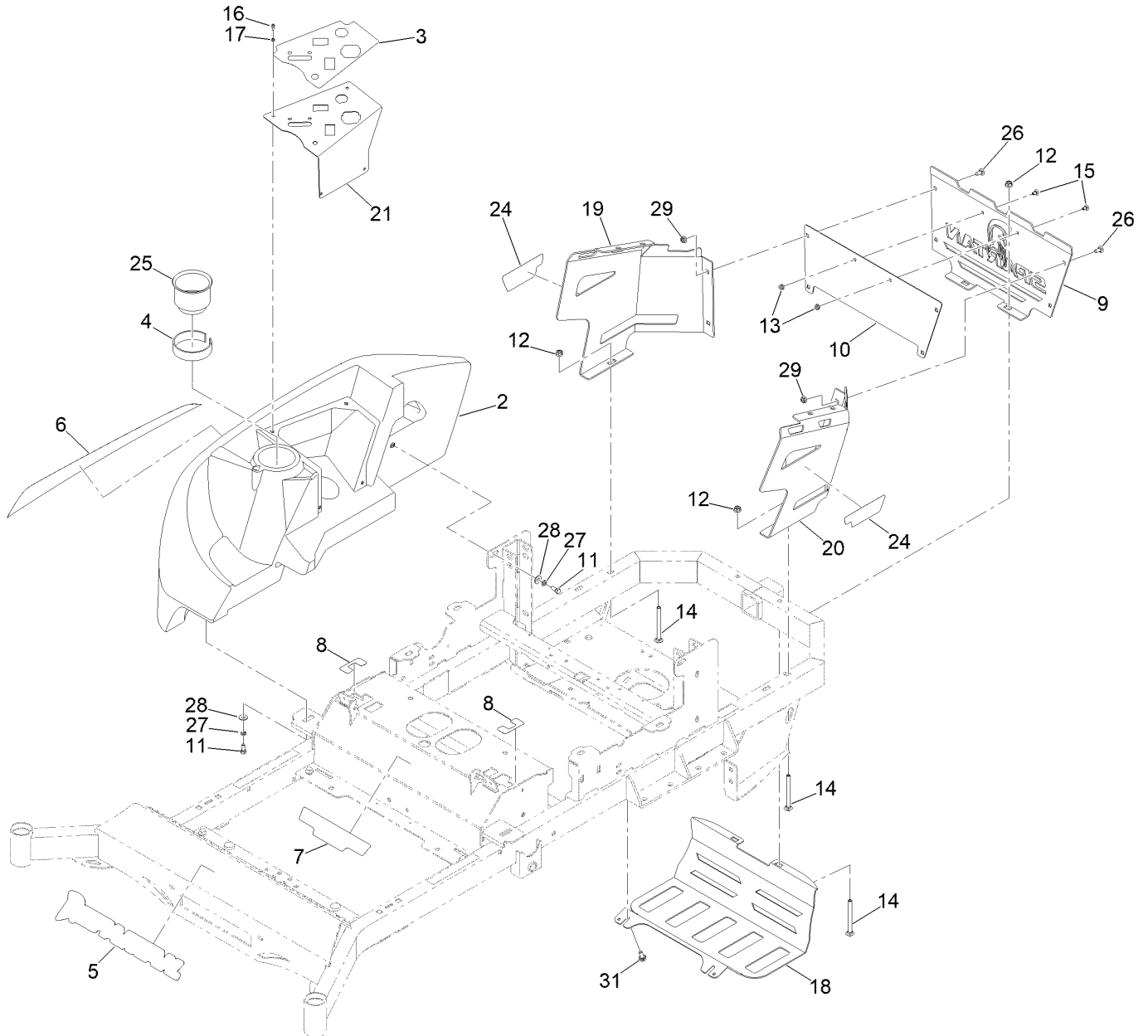
Transmission Assembly



Transmission Assembly (continued)

<i>Ref.</i>	<i>Part Number</i>	<i>Qty.</i>	<i>Description</i>	<i>Ref.</i>	<i>Part Number</i>	<i>Qty.</i>	<i>Description</i>
1	148-0985-P11	1	Hydro Frame ASM	10	100-6116	8	Screw-HHF
2	450-0009-00	1	Hte10 Lt Side Hydrost Transm For Rz Hub	11	32128-49	8	Nut-HHF
3	450-0010-00	1	Hte10 Rt Side Hydrost Transm For Rz Hub	12	413-0027-00	4	Nut-HF, NI
4	419-0006-00	2	.312 ID X .875OD X .1875 THK F/W NYL	13	486-0030-00	1	No Plunger Limit Switch
5	439-0607-00-P11	1	Mwr Park Brake Brkt Lt Paint	14	418-0032-00	2	8-32 X 1/2 Ind. HWH Slot Type F Tcs Zinc
6	418-0008-00	2	Bolt-CARR	15	434-0003-00	1	Mwr Brake Pedal Release Spring
7	418-0010-00	2	Bolt-CARR	16	148-1262	4	Screw-CARR,Patch
8	439-0606-00-P11	1	Mwr Park Brake Brkt Rt Paint	17	413-1005-00	4	1/2-13 Hex Flange 2-Way Rev Cntr L/Nyz
9	439-0066-00-P11	1	Stand Trans Brake Interlock Brkt Paint	18	418-0045-00	4	3/8-16 X 1 Carriage Bolt Yz GR.8
				19	413-0029-00	4	Nut-Hex

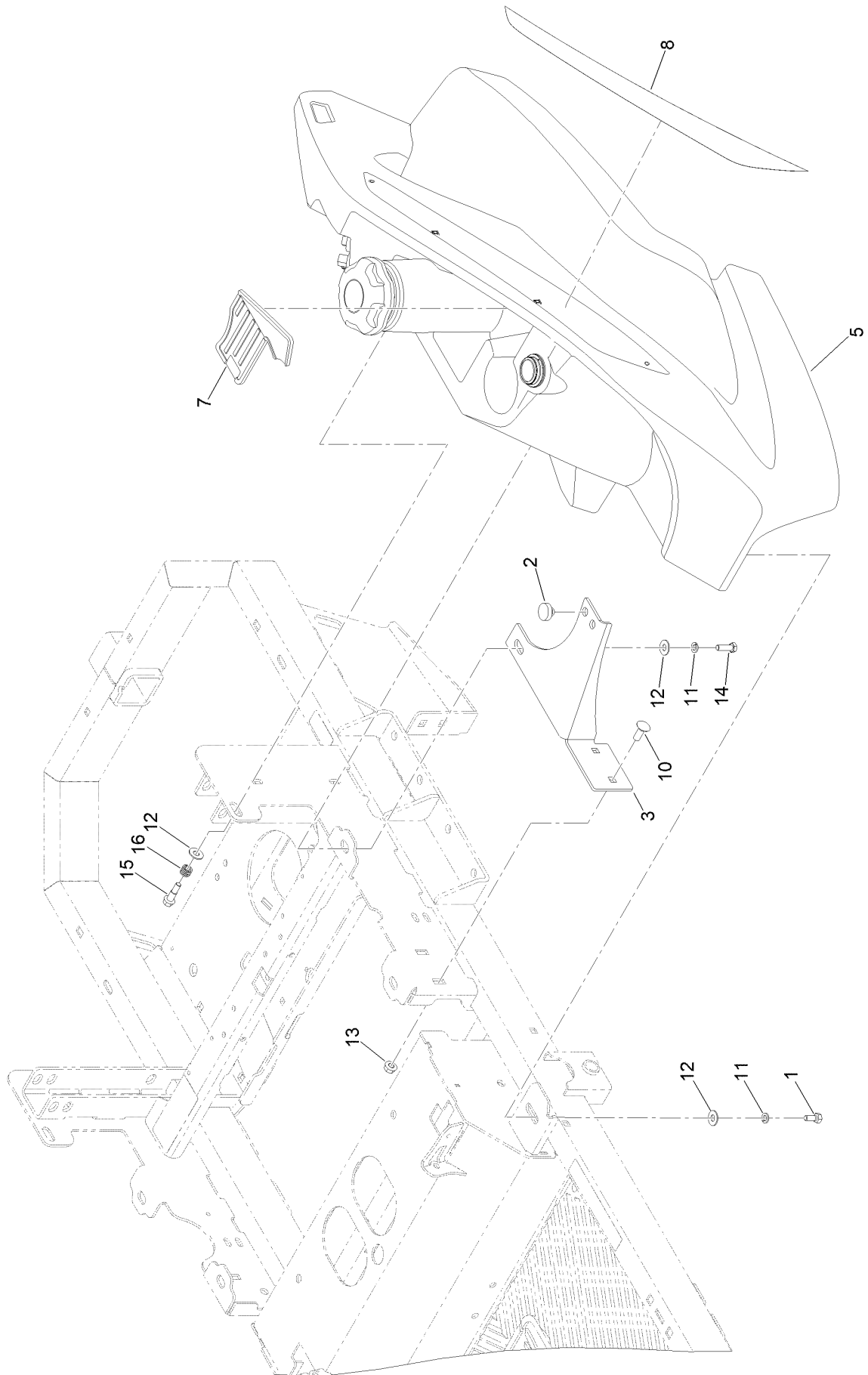
Body Styling Assembly



Body Styling Assembly (continued)

<i>Ref.</i>	<i>Part Number</i>	<i>Qty.</i>	<i>Description</i>	<i>Ref.</i>	<i>Part Number</i>	<i>Qty.</i>	<i>Description</i>
2	148-0307	1	Console W/ Cupholder	16	418-0055-00	4	10-24 X 1/2 Socket C/S 18-8 SS
3	148-1097	1	Decal-Control Panel	17	419-0011-00	4	#10 Split Lockwasher 18-8 SS
4	148-0770	1	Tape-Foam	18	148-1172-P11	1	Muffler Guard [gray]
5	148-0801	1	Decal-Spartan, Front	19	439-0691-00-P11	1	2021 Rt/Srt Engn Cowling Rtpainted
6	148-0845	1	Decal-Tank	20	439-0692-00-P11	1	2021 Rt/Srt Engn Cowling Lt Painted
7	148-0870	1	Decal-Rz-HD Gt Trac Model	21	148-1042-05	1	Rt 45 Key Mnt
8	148-1056	1	Decal-Motion Control	24	148-0863	2	Decal-Model
9	148-1067-P11	1	Plate - Engine Cowling	25	780-2220-00	1	Cup Holder
10	148-1068-P12	1	Plate -Backer Plate	26	418-0008-00	4	Bolt-CARR
11	418-0054-00	4	Screw-HH	27	3253-4	4	Washer-Lock
12	413-0013-00	4	3/8-16 Nylon Insert Flange L/Nut Yz	28	419-0007-00	4	Washer-Flat
13	413-0023-00	2	1/4-20 Hex Flange Nut W/Serr Zinc	29	413-0022-00	4	Nut-HF
14	418-0018-00	4	3/8-16 X 4 Carriage Bolt Zinc	31	418-0049-00	2	Bolt-HWH
15	418-0031-00	2	1/4-20 X 1/2 Carriage Bolt,Yz				

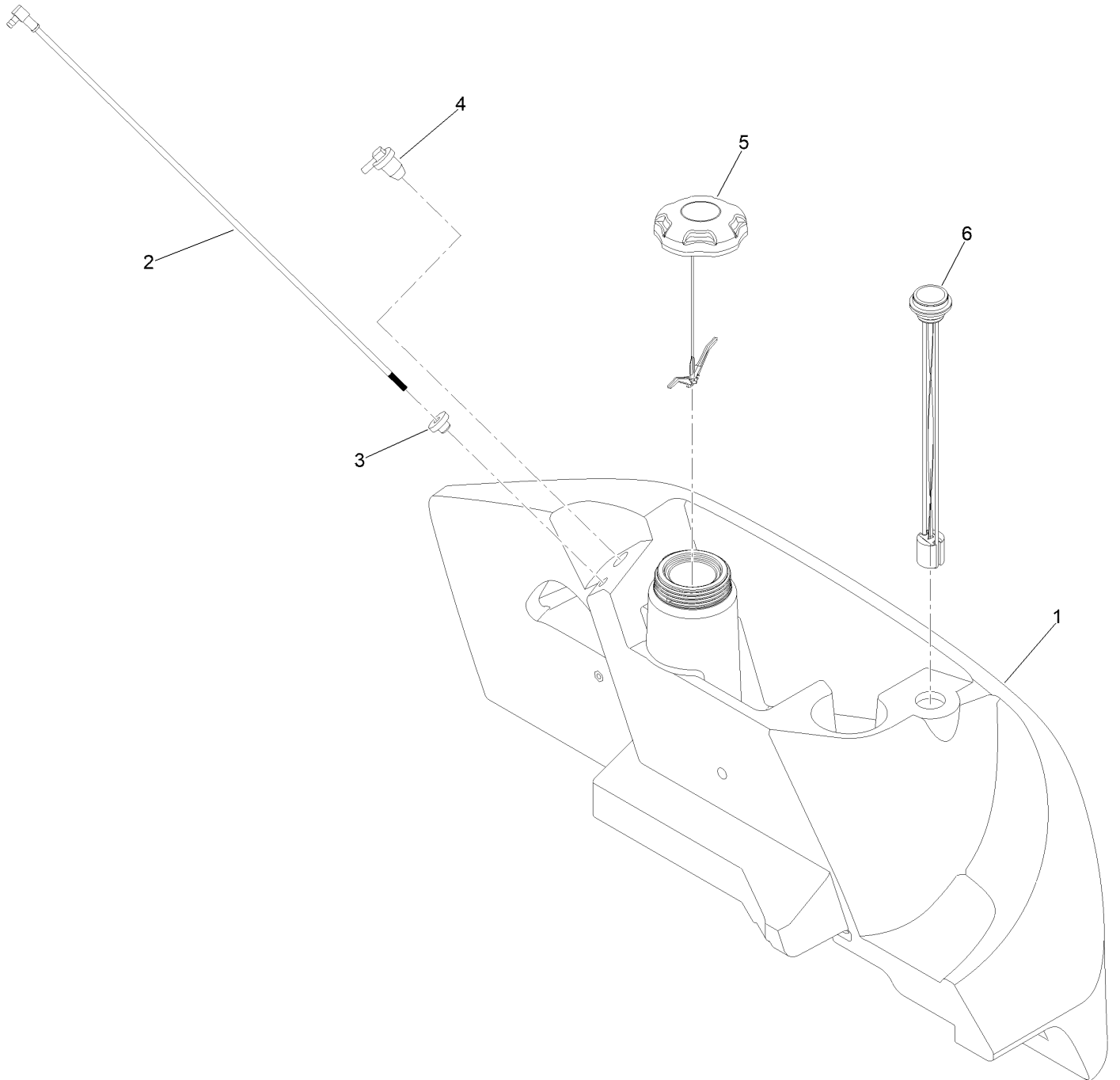
Fuel Tank Assembly



Fuel Tank Assembly (continued)

<i>Ref.</i>	<i>Part Number</i>	<i>Qty.</i>	<i>Description</i>	<i>Ref.</i>	<i>Part Number</i>	<i>Qty.</i>	<i>Description</i>
1	418-0054-00	2	Screw-HH	11	3253-4	3	Washer-Lock
2	429-0002-00	2	Push-In Rubber Bumper	12	419-0007-00	4	Washer-Flat
3	148-0478-P11	1	Bracket-Tank Support	13	413-0020-00	2	3/8-16 Hex Flange Nut W/Serr Zinc Yellow
5	467-0001-00	1	Mwr Gasoline Fuel Tank Assy	14	418-0108-00	1	Screw-HH
7	481-0004-00	1	Rubber Tank Storage Compartment Insert	15	418-0287-00	1	Screw-Shoulder,HHF
8	148-0844	1	Decal-Tank	16	434-0020-00	1	Spring-Compression
10	418-0045-00	2	3/8-16 X 1 Carriage Bolt Yz GR.8				

Fuel Tank Assembly No. 467-0001-00



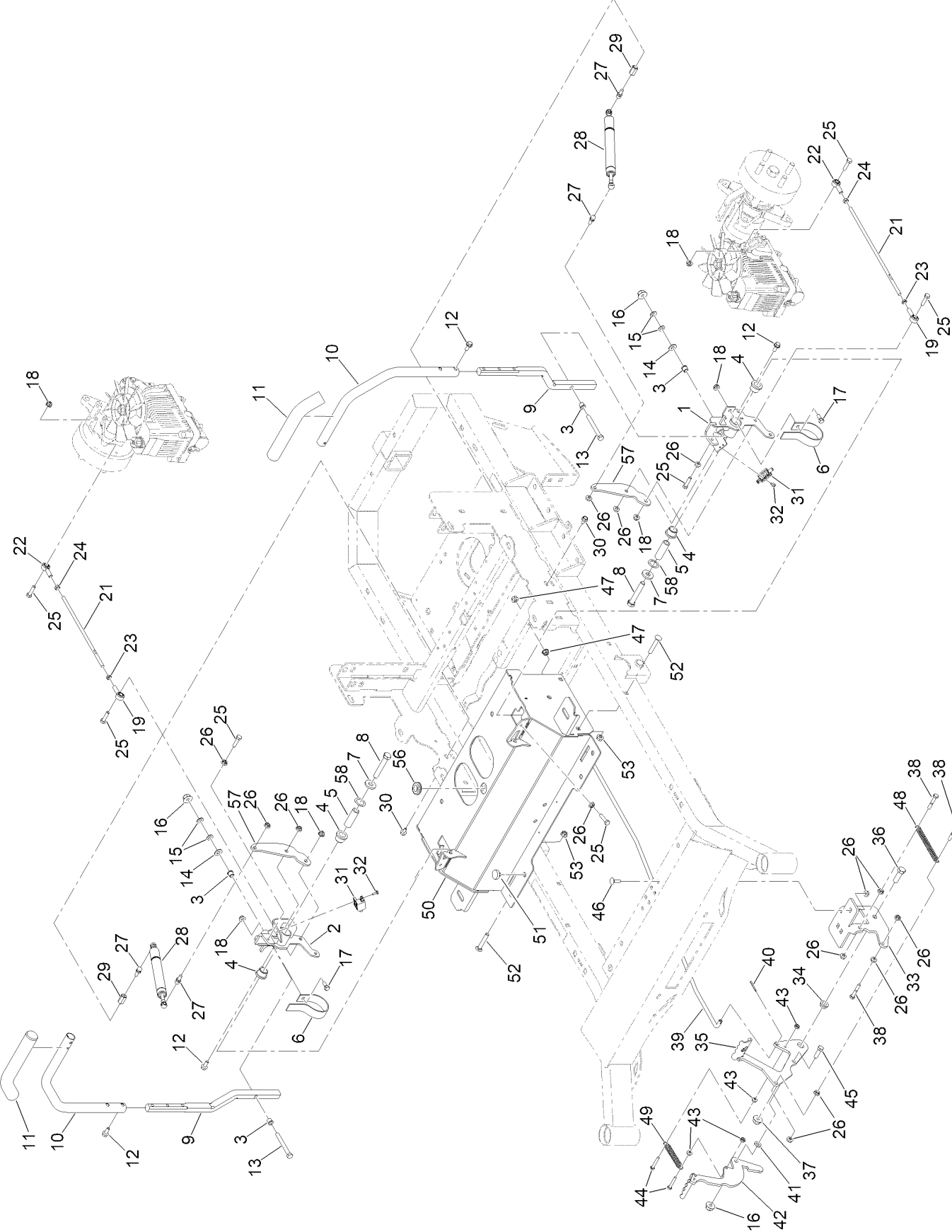
Fuel Tank Assembly No. 467-0001-00 (continued)

<i>Ref.</i>	<i>Part Number</i>	<i>Qty.</i>	<i>Description</i>	<i>Ref.</i>	<i>Part Number</i>	<i>Qty.</i>	<i>Description</i>
1	467-0011-00	1	Rz Fuel Pickup Tube (Solar Tank)	4	467-0006-00	1	Remote Tank Vent Valve W/Grommet
2	467-0012-00	1	25.14In Fuel Pickup Tube W/Filter Screen	5	467-0008-00	1	Kelch Tank Fill Neck Non-Ventcap(204541)
3	467-0005-00	1	Fuel Pickup Tube Gromm Nitrdapco 10672	6	467-0035-00	1	Rt/Srt Rochester Fuel Gauge

Seat Assembly (continued)

<i>Ref.</i>	<i>Part Number</i>	<i>Qty.</i>	<i>Description</i>	<i>Ref.</i>	<i>Part Number</i>	<i>Qty.</i>	<i>Description</i>
1	148-1008-P11	1	Plate-Seat, No360	11	413-0027-00	1	Nut-HF, NI
2	471-0035-00	1	Rt Pro Seat	12	323-9	1	Screw-HH
3	410-0010-00	2	1/2In ID X 5/8In OD X 1/2In Flange Bush	13	107-0075	1	Bushing-Latch, Seat
4	418-0038-00	2	1/2 X 1/2 Socket Shoulder Bolt Zc Yellow	14	148-0953	1	Bracket-Latch
5	439-0065-00-P11	1	Mwr Seat Latch Hook Paint	15	126-8923	1	Spring-Torsion, Latch
6	413-0022-00	4	Nut-HF	16	138-7207	1	Spacer-Hub, Blower
7	413-0029-00	3	Nut-Hex	18	419-0006-00	1	.312 ID X .875OD X .1875 THK F/W NYL
8	413-0019-00	4	5/16-18 Nylon Insert Flange L/Nut Zc	19	116-7230	3	Screw-HHF
9	322-47	1	Screw-HH	20	426-0241-00-P11	1	2020 Rt/Srt Univ Float Seat Cvr PLT
10	413-0016-00	1	.312Idx.625Odx.062 THK Thrust Brg Oi Brz	21	484-0002-00	1	Stand Up Mwr Brake Arm Grip
				99	486-0036-00	1	Mwr Seat Switch

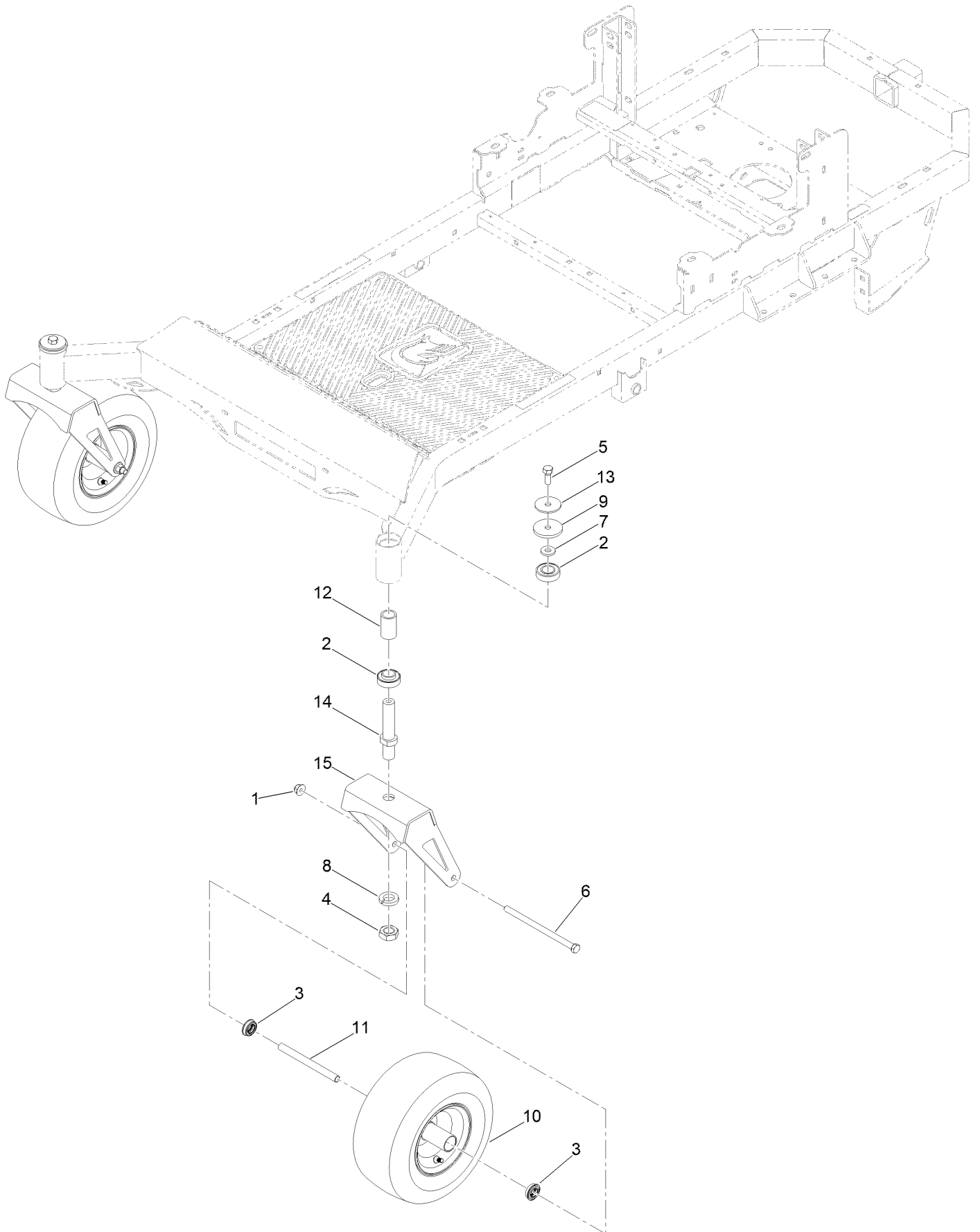
Motion Control and Parking Brake Assembly



Motion Control and Parking Brake Assembly (continued)

<i>Ref.</i>	<i>Part Number</i>	<i>Qty.</i>	<i>Description</i>	<i>Ref.</i>	<i>Part Number</i>	<i>Qty.</i>	<i>Description</i>
1	148-0888-05	1	LH Pivot ASM	31	486-0030-00	2	No Plunger Limit Switch
2	148-0889-05	1	RH Pivot ASM	32	418-0032-00	4	8-32 X 1/2 Ind. HWH Slot Type F Tcs Zinc
3	148-0886	4	Bushing-Flange	33	439-0009-00-P11	1	Mwr Frame Brake Mtg Brkt Paint
4	148-0897	4	Bushing-Flange	34	410-0009-00	1	1/2In ID X 3/4In OD X 3/8In Flange Bush
5	148-0885	2	Sleeve-Pivot	35	490-0016-00-P11	1	Mwr Brake Lock Lever Assy Painted
6	109-5575	2	Spring-Leaf	36	139-2631	1	Screw-HH
7	419-0003-00	2	1/2 Fender Washer 1-1/4In OD Zinc	37	413-0002-00	1	Nut-Lock
8	418-0050-00	2	1/2-13 X 3 Hex C/S GR 5 Zinc W/LocTite	38	418-0027-00	3	Bolt-HH
9	431-0001-00	2	Height Adjustable Control Arm	39	435-0004-00	1	Mwr Brake Linkage
10	403-0020-00-P11	2	Mwr Drive Handle Tube Painted	40	3272-11	1	Pin-Cotter
11	484-0001-00	2	Control Arm Handle Grip	41	413-0052-00	1	3/8 ID X 3/4 OD X .125 THK Bronze Washer
12	116-7230	6	Screw-HHF	42	490-0017-00-P11	1	Mwr Brake Unlock Lever Assy Painted
13	323-20	2	Screw-HH	43	413-0012-00	4	1/4-20 Hex Flange Nut
14	419-0007-00	2	Washer-Flat	44	418-0029-00	2	1/4-20 X 1-1/4 Hex C/S GR 2 Zinc
15	148-1012	4	Washer-Belleville	45	323-7	1	Screw-HH
16	413-0013-00	3	3/8-16 Nylon Insert Flange L/Nut Yz	46	418-0008-00	3	Bolt-CARR
17	418-0054-00	2	Screw-HH	47	413-0020-00	2	3/8-16 Hex Flange Nut W/Serr Zinc Yellow
18	413-0027-00	6	Nut-HF, NI	48	434-0015-00	1	2020 Mwr Brake Pedal Tension Spring
19	410-0070-00	2	5/16-24 Spher Rod End Zinc LH Thd Fem	49	434-0003-00	1	Mwr Brake Pedal Release Spring
21	435-0033-00	2	1310 Ttq Drive Arm Rod	50	148-0911-P11	1	ASM, Gt-Trac [gray]
22	410-0071-00	2	5/16-24 Spher Rod End Zinc RH Thd Fem	51	429-0002-00	2	Push-In Rubber Bumper
23	3220-20	2	Nut-Jam	52	618-2023-00	4	Screw-CARR
24	09207	2	Nut	53	413-0029-00	4	Nut-Hex
25	322-47	8	Screw-HH	56	240-6	1	Grommet-Rubber
26	413-0022-00	17	Nut-HF	57	148-1492-05	2	Plate-Damper
27	487-0005-00	4	5/16-18X1.286 Damper Ball Stud (.562 TI)	58	418-0110-00	2	.767Idx1.125Odx.016 THK Trip Wv Washer
28	487-0001-00	2	Control Arm Damper				
29	613-0065-00	2	Standoff-Hex				
30	3234-28	2	Screw-HHF				

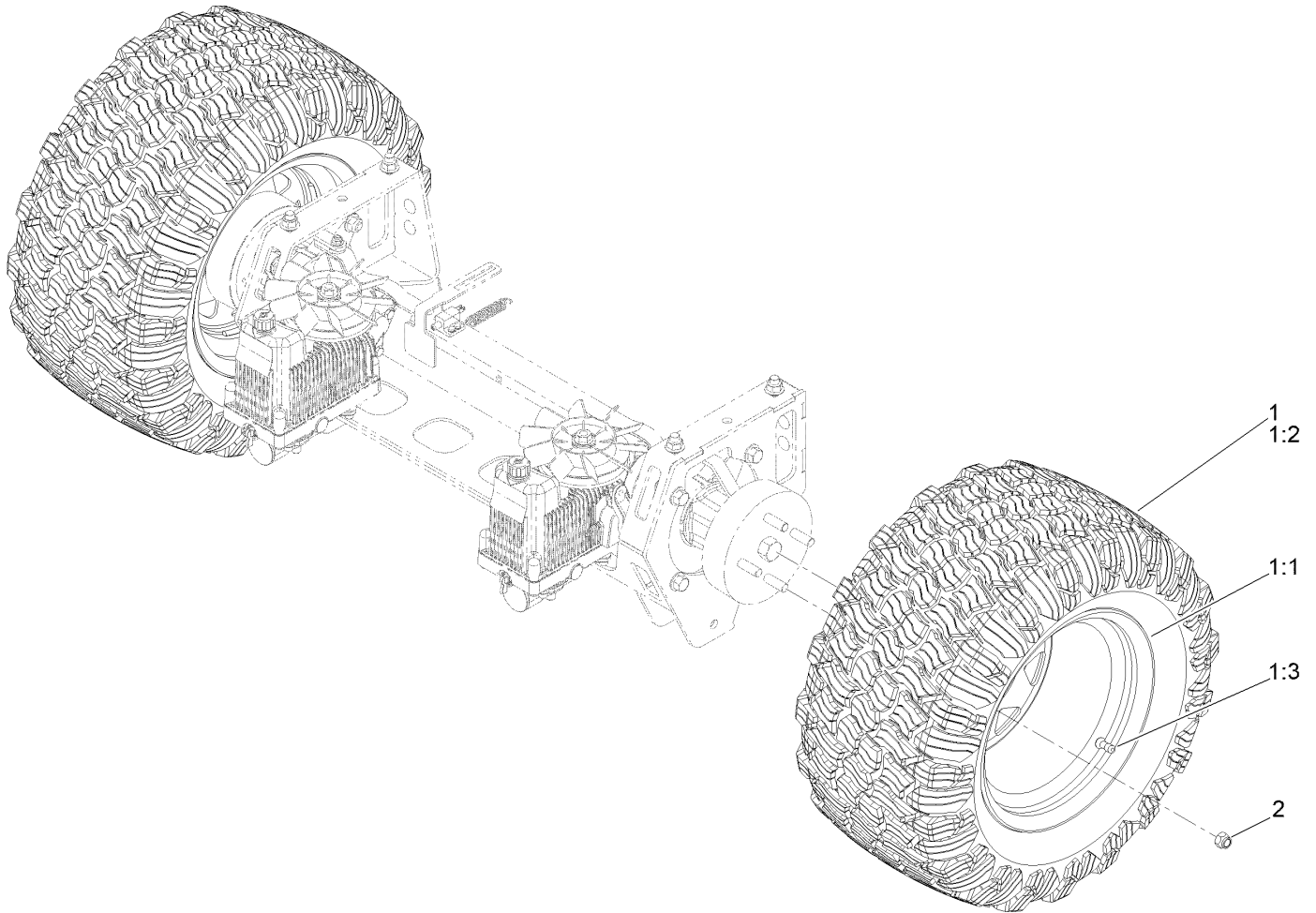
Caster Tire Assembly



Caster Tire Assembly (continued)

<i>Ref.</i>	<i>Part Number</i>	<i>Qty.</i>	<i>Description</i>	<i>Ref.</i>	<i>Part Number</i>	<i>Qty.</i>	<i>Description</i>
1	413-0002-00	2	Nut-Lock	8	419-0024-00	2	1In L/W Med Split Zc
2	103-3540	4	Bearing-Ball	9	419-0025-00	2	Ft Hub Plastic Washer
3	410-0018-00	4	Rz Ft Wheel Bearing	10	422-0027-00	2	Rz/Rt Pro Ft Tire
4	413-0063-00	2	Nut-Hex				Assy-Smooth Tread
5	418-0002-00	2	1/2-20 X 1-1/4 Hex Flange	11	425-0010-00	2	Mwr Ft Wheel Spanner
			Bolt GR 8 Yz	12	425-0011-00	2	Caster Fork Shaft Bearing
6	418-0003-00	2	1/2-13 X 8-1/2 Hex C/S GR				Spacer
			5 Zinc Yellow	13	426-0006-00-P11	2	Mwr Caster Shaft Washer
7	419-0003-00	2	1/2 Fender Washer 1-1/4In	14	437-0019-00	2	Mwr Caster Shaft
			OD Zinc	15	490-0046-00-P11	2	Rz Caster Fork ASM

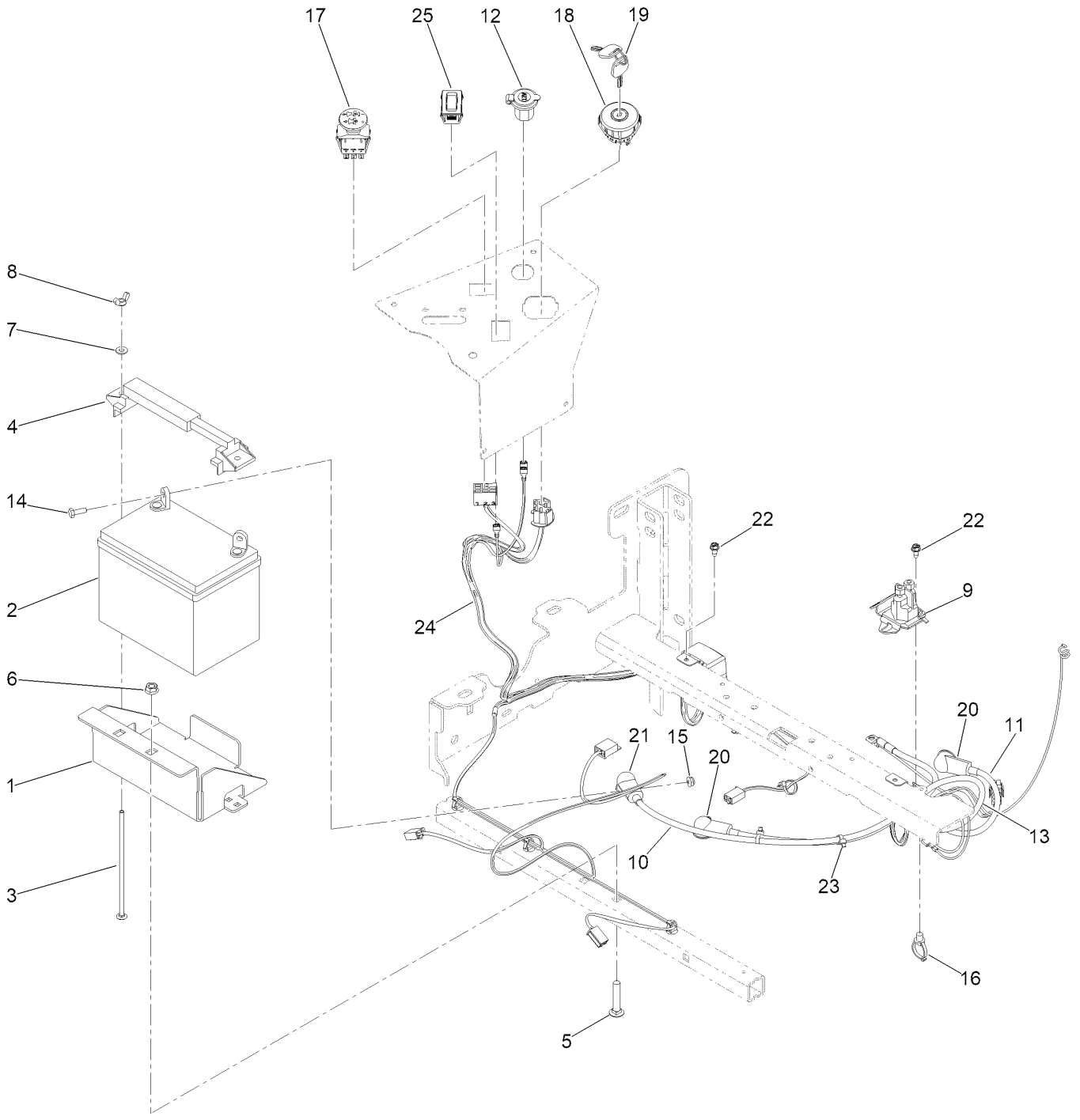
Drive Wheel Assembly



Drive Wheel Assembly (continued)

<i>Ref.</i>	<i>Part Number</i>	<i>Qty.</i>	<i>Description</i>	<i>Ref.</i>	<i>Part Number</i>	<i>Qty.</i>	<i>Description</i>
1	161-9726	2	Wheel And Tire ASM	1:3	232-27	1	Stem-Valve
1:1	140-7969	1	Wheel	2	413-0015-00	8	1/2-20 Lugnut
1:2	161-9727	1	Tire				

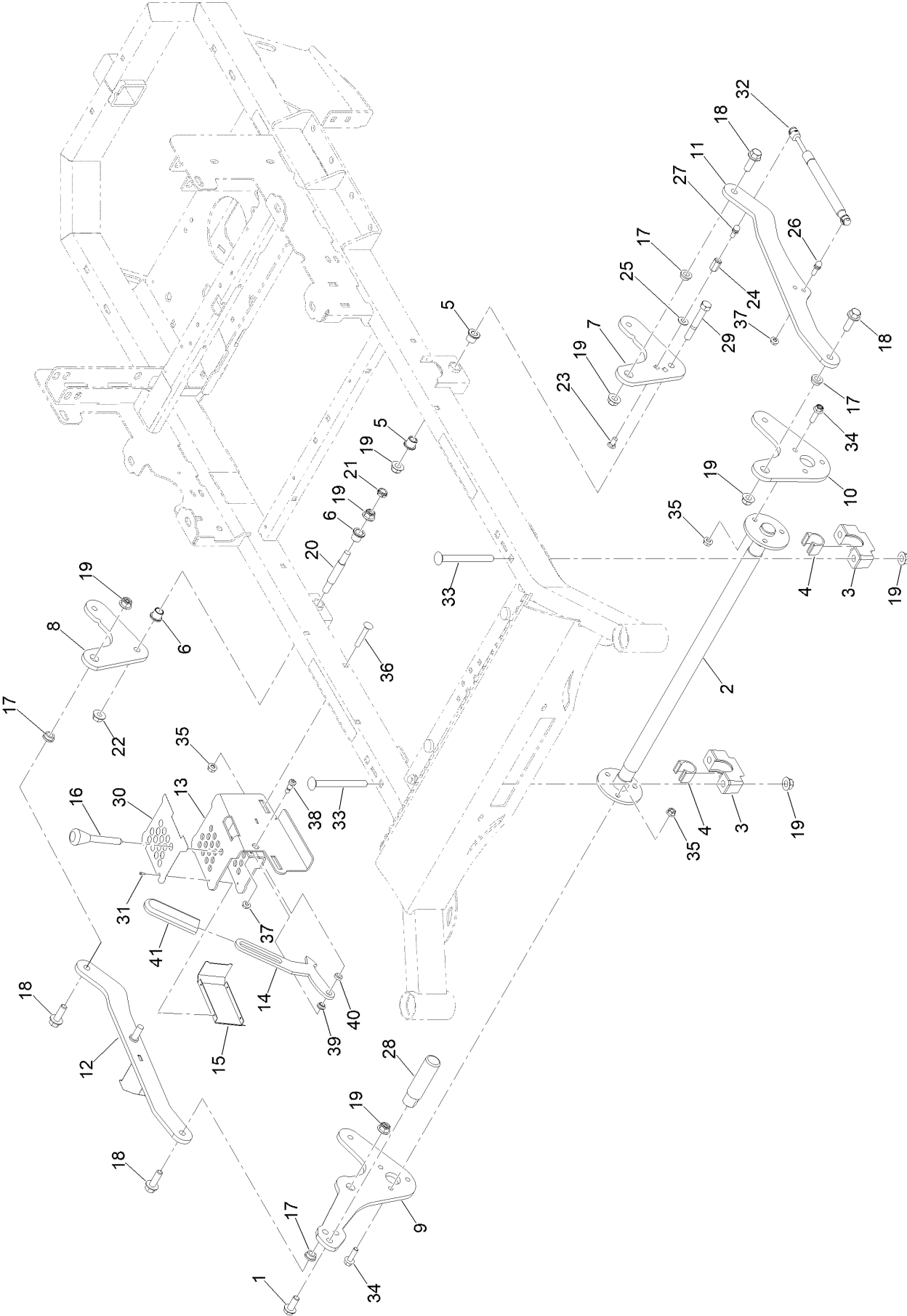
Electrical Assembly



Electrical Assembly (continued)

<i>Ref.</i>	<i>Part Number</i>	<i>Qty.</i>	<i>Description</i>	<i>Ref.</i>	<i>Part Number</i>	<i>Qty.</i>	<i>Description</i>
1	439-0008-00-P11	1	Mwr Battery Box	14	321-4	2	Screw-HH
2	468-1004-00	1	12 Volt Start Battery 300CCA	15	104-7201	2	Nut-HF, NI
3	418-0034-00	2	1/4-20 X 7 Carriage Bolt Zinc	16	32180-030	1	Clip-Tie
4	443-0001-00	1	Battery Hold Down	17	486-0060-00	1	PTO Switch
5	3231-6	2	Screw-CARR	18	486-0062-00	1	Ignition Switch
6	413-0020-00	2	3/8-16 Hex Flange Nut W/Serr Zinc Yellow	19	148-1494	1	Key-Ignition
7	515-0038	2	Washer-Flat	20	436-0002-00	2	3.15 Lgth Straight Insul Term Cover Red
8	1-803038	2	Wingnut	21	436-0003-00	1	Straight Insulating Terminal Cover
9	486-0006-00	1	Heavy Duty Start Solenoid	22	120-9551	4	Screw-HWH
10	486-0017-00	1	Mwr Negative Cable 28	23	3290-379	6	Tie-Cable
11	486-0018-00	1	Mwr Start Wire 12	24	148-0824	1	Harness-Wire
12	677-2075-00	1	12 Volt Auxilliary Plug	25	148-1063	1	Hour Meter
13	486-0016-00	1	Mwr Positive Battery Cable 25In				

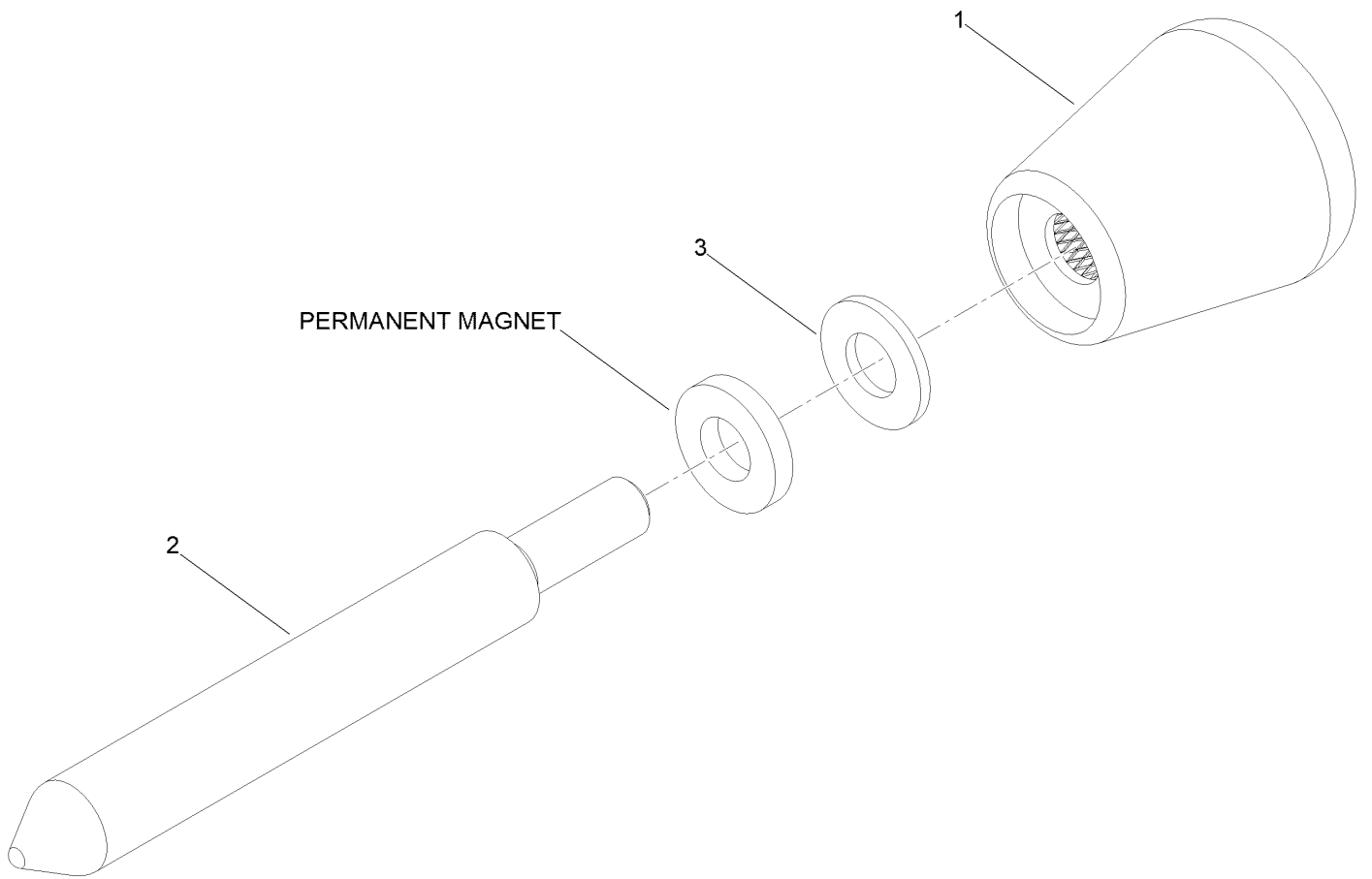
Decklift Assembly



Decklift Assembly (continued)

<i>Ref.</i>	<i>Part Number</i>	<i>Qty.</i>	<i>Description</i>	<i>Ref.</i>	<i>Part Number</i>	<i>Qty.</i>	<i>Description</i>
1	148-0095	1	1/2-13X1.25In Hex Flange Bolt (GR.8) Yz	23	618-2068-00	1	3/8 X 3/4In GR 8 CARR Bolt Zinc
2	148-1074	1	Decklift-Front	24	148-0422	1	Hex Coupling Nut-Reducer
3	148-1085	2	Support-Bearing Housing	25	419-0007-00	1	Washer-Flat
4	109-9410	2	Bearing-Cross Shaft, Front	26	487-0008-00	1	5/16-18X1.286 Damper Ball Stud (.562 TI)
5	135-5694	2	Bushing-Flange	27	487-0005-00	1	5/16-18X1.286 Damper Ball Stud (.562 TI)
6	135-9063	2	Bushing-Flange	28	148-0951	1	Pedal
7	148-1003-P11	1	(Rz Rear HOC Hanger)	29	418-0042-00	1	1/2-13 X 3-1/2 Hex C/S GR 5 Zinc Yellow
8	148-0418-P11	1	Arm-Decklift Rear (3/8")	30	148-1036	1	Decal-Height Of Cut
9	148-0950-P11	1	Lever-Lift	31	923786	4	Rivet
10	148-1075-P11	1	Plate-Decklift, Arm LH	32	434-0008-00	1	Rz Deck Assist Gas Spring
11	148-0940-P11	1	Link-HOC(Left Side)	33	148-1080	4	Screw-CARR
12	148-0941-P11	1	Link ASM-HOC(Right Side Welded)	34	148-1087	6	Screw-HHF
13	148-0946-P11	1	Bracket-HOC ASM	35	413-0029-00	8	Nut-Hex
14	148-0943	1	Plate-Transport Lock	36	618-2023-00	2	Screw-CARR
15	148-0949-P11	1	Cover-HOC	37	413-0022-00	2	Nut-HF
16	148-1450	1	HOC Pin ASM	38	418-0083-00	1	3/8 X 1/2 Socket Shoulder Bolt Yz
17	410-0009-00	4	1/2In ID X 3/4In OD X 3/8In Flange Bush	39	148-1211	1	Bushing-Flange
18	100-6116	4	Screw-HHF	40	148-1212	1	Washer-Plain
19	413-1005-00	10	1/2-13 Hex Flange 2-Way Rev Cntr L/Nyz	41	484-0002-00	1	Stand Up Mwr Brake Arm Grip
20	418-0276-00	1	Rr Deck Height Bolt				
21	3296-45	1	Nut-Hex				
22	32128-49	1	Nut-HHF				

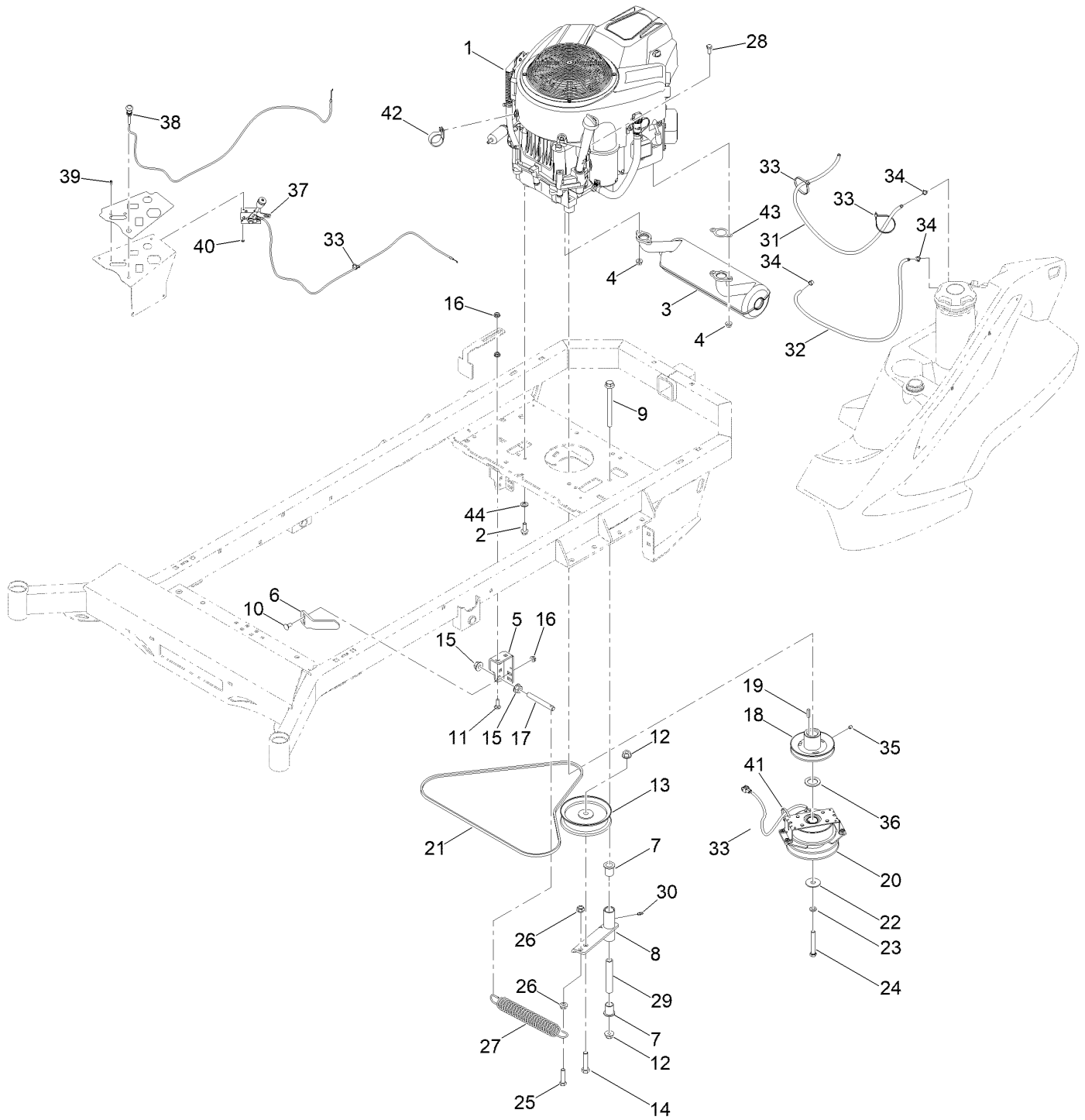
HOC Pin Assembly No. 148-1450



HOC Pin Assembly No. 148-1450 (continued)

<i>Ref.</i>	<i>Part Number</i>	<i>Qty.</i>	<i>Description</i>
1	126-7390	1	Knob-Tapered
2	148-1451	1	Pin-HOC
3	3256-23	1	Washer-Plain

Engine Assembly

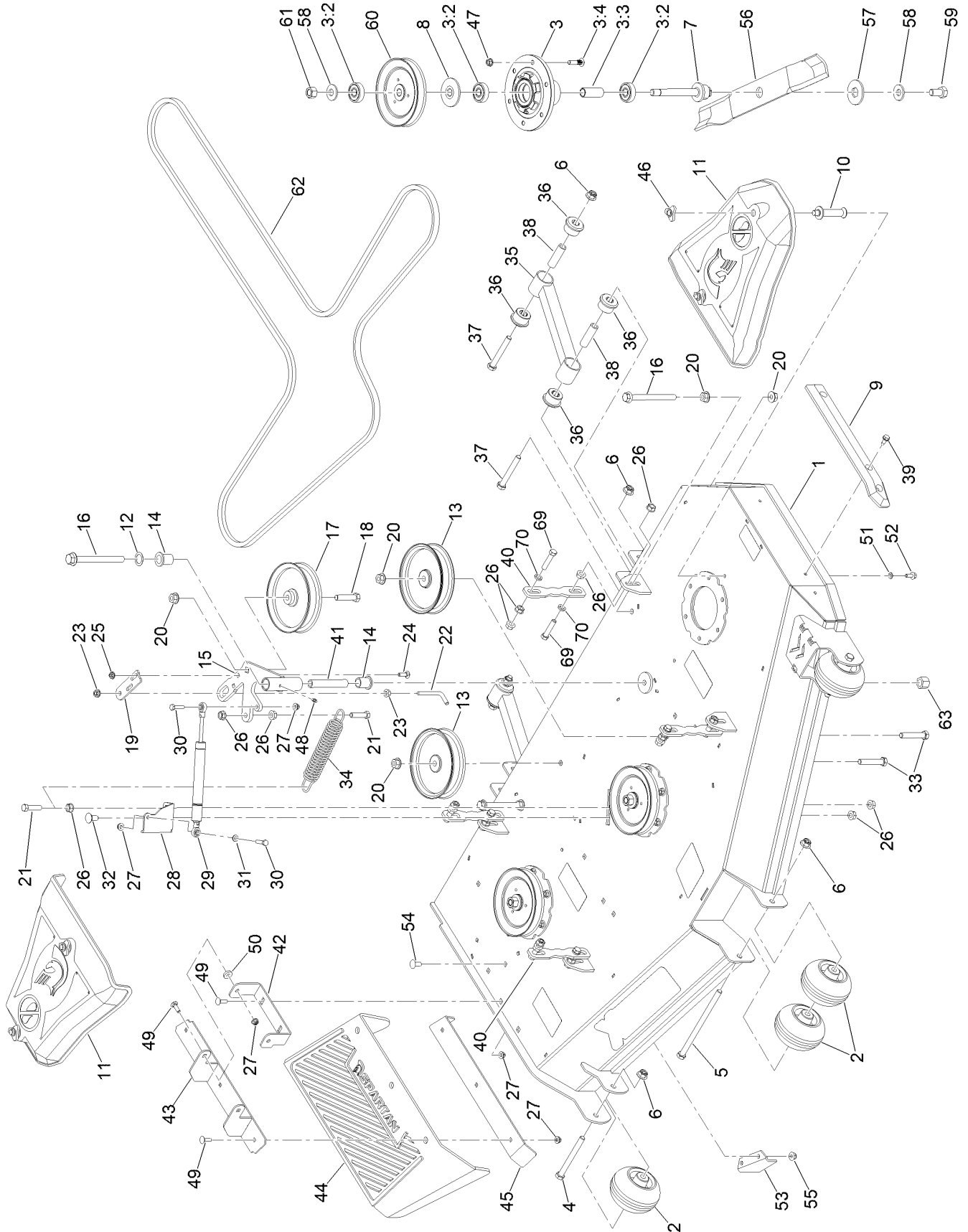


Engine Assembly (continued)

<i>Ref.</i>	<i>Part Number</i>	<i>Qty.</i>	<i>Description</i>	<i>Ref.</i>	<i>Part Number</i>	<i>Qty.</i>	<i>Description</i>
1	415-0101-00	1	27HP Briggs Cxi Engine ●	22	419-0001-00	1	1/2In X 1-5/8 Belleville Cup Washer Yz
2	139-2576	4	Screw-HWH	23	3253-6	1	Washer-Lock
3	415-0052-00	1	Exhaust Syst Briggs 25/27HP Engns	24	418-0223-00	1	Ttq Clutch Bolt
4	418-0278-00	4	M8-1.25 X 20MM Hex Flange Bolt Zinc 10.9	25	418-0013-00	1	Bolt-HH
5	439-0244-00-05	1	Mwr Pump Idler Tensioning Brkt	26	32128-37	2	Nut-HF
6	439-0493-00-05	1	2021 Ttq Mower Ogura Clutch Bracket	27	434-0007-00	1	Mwr Deck Spring
7	410-0007-00	2	3/4In ID X15/16In OD X 1-1/8In Flng Bush	28	120-9551	1	Screw-HWH
8	490-0018-00-05	1	Mwr Pump Idler ASM	29	425-0006-00	1	Mwr Inner Idler Spacer
9	418-0009-00	1	1/2-13 X 5-1/2 Hex Flange Bolt GR 8 Zy	30	424-0002-00	1	1/4In Drive Type Grease Fitting Yz
10	418-0008-00	2	Bolt-CARR	31	451-0002-00	42	Mwr Fuel Tank Black 3/16In Vent Tube 1Ft
11	418-0062-00	2	5/16-18 X 1-1/4 Carriage Bolt Zc/Yel	32	751-1014-00	30	1/4In SAE J30R7 Bulk Hose 1Ft
12	413-0002-00	2	Nut-Lock	33	3290-379	3	Tie-Cable
13	433-0013-00	1	5-3/4In Idler Pulley 7/16In Spacer ASM	34	472-0004-00	2	1/2In (#8) Hose Clamp
14	325-9	1	Screw-HH	35	418-0280-00	1	5/16-18 X 3/8 Socket Set Screw
15	32128-49	2	Nut-HHF	36	3-6781	1	Washer-Flat
16	413-0022-00	6	Nut-HF	37	464-0001-00	1	Mwr Throttle Cable ASM W/Handle
17	430-0001-00	1	Mwr Pump Idler Spring Tensioner	38	464-0002-00	1	Mwr Choke Cable Assm
18	433-0001-00	1	Mwr Hydraulic Pump Drive Pulley (A Belt)	39	418-0055-00	2	10-24 X 1/2 Socket C/S 18-8 SS
19	1-807259	1	Key	40	110-3145	2	Nut-Lock
20	470-0004-00	1	Mwr Ttq Ogura Clutch	41	414-0001-00	1	6In (40 Lb) Cable Tie Nylon Uv
21	461-0004-00	1	Mwr Pump Belt Rt A X 68.25In Eff Lngth	42	472-0009-00	2	3/4 Epdm Cushion Clamp
				43	147-5158	2	Gasket-Exhaust, Briggs Twin
				44	115-1166	4	Washer-Plain

● Obtain parts from www.briggsandstratton.com

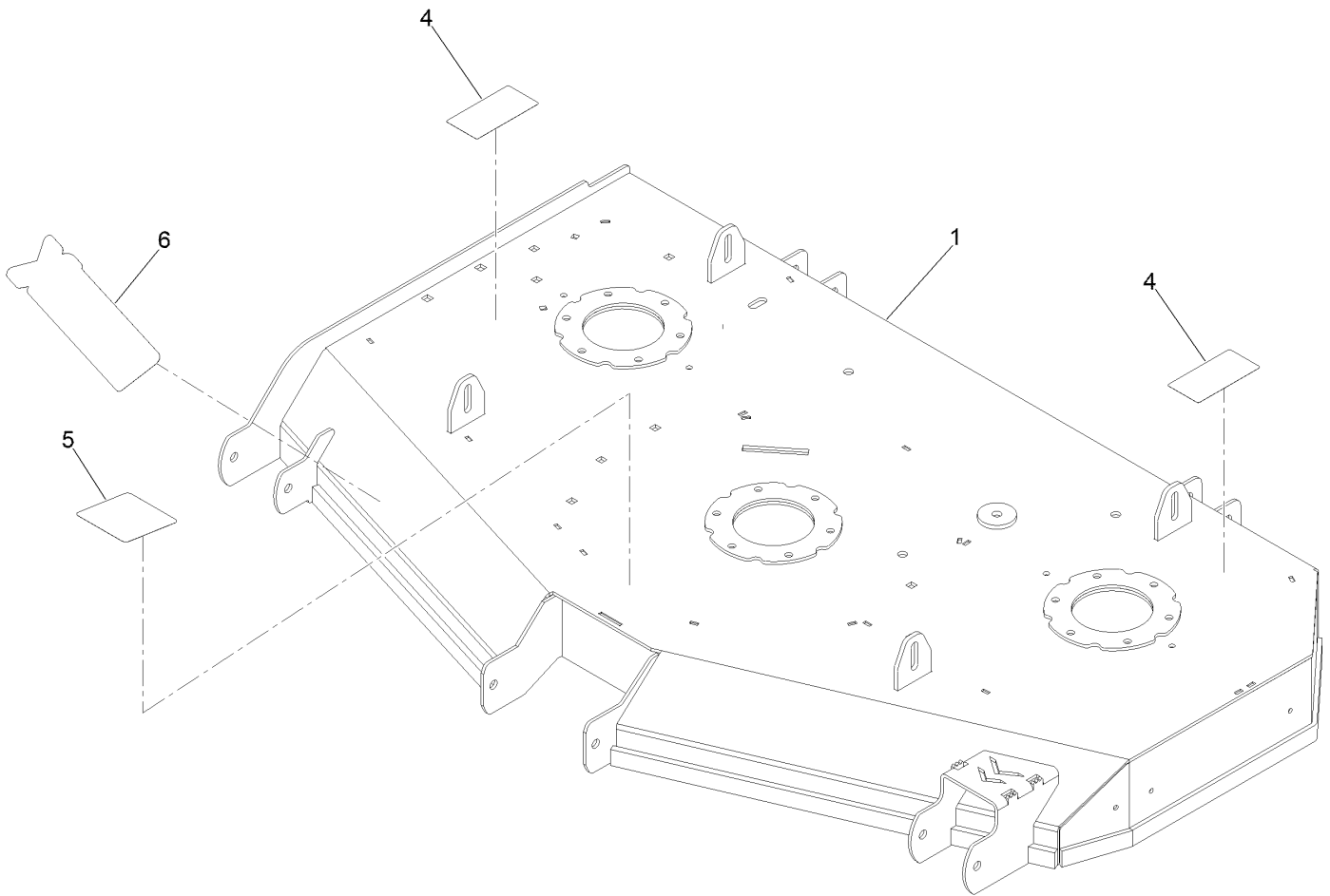
60 Inch Cutting Deck Assembly



60 Inch Cutting Deck Assembly (continued)

<i>Ref.</i>	<i>Part Number</i>	<i>Qty.</i>	<i>Description</i>	<i>Ref.</i>	<i>Part Number</i>	<i>Qty.</i>	<i>Description</i>
1	148-0979	1	ASM- 60" Deck W/Decals	32	3232-1	1	Screw-CARR
2	422-0061-00	4	Mwr Anti-Scalp Whl W/O Grease Fitting	33	418-0246-00	2	1/2-13 X 2-3/4 Hex Flange Bolt (GR.8) Yz
3	148-0002	3	Spindle ASM 5In Deck	34	434-0007-00	1	Mwr Deck Spring
3:2	116-4004	2	Bearing	35	490-0047-00-05	2	Rz Mwr Deck Stablzr ASM
3:3	148-0025	1	Spacer, Bearing	36	732-2000-00	8	Red A80 Susp Bushing
3:4	116-3473	6	Bolt-Round Head	37	418-0021-00	4	1/2-13 X 3-3/4 Hex C/S (GR.5) Zc/Yel
4	418-0016-00	2	Screw-HH	38	732-2001-00	4	UTV A-Arm Bushing Sleeve
5	418-0015-00	1	1/2-13 X 8-1/2 Hex C/S GR 2 Zinc Yellow	39	9264964	3	Screw-HWH, Thread Cut
6	413-0002-00	7	Nut-Lock	40	148-0236-P11	4	Hanger-Deck Painted Grey
7	148-0105	3	Shaft - Spindle	41	425-0006-00	1	Mwr Inner Idler Spacer
8	148-0102	3	Guard-Bearing Top 0.673In	42	148-0999-00-P11	1	Bracket-Chute
9	429-0001-00	1	Mwr Nylon Deck Guard	43	148-0836-P11	1	Deck Chute Hinge ASM
10	148-0094	4	Pin-Belt Cover	44	481-0010-00	1	Rz Mwr Rubber Discharge Chute
11	148-0093	2	Cover-Belt	45	439-0431-00-05	1	Mwr Deck Chute Hinge Backer Brkt
12	418-0110-00	1	.767Idx1.125Odx.016 THK Trip Wv Washer	46	148-0234	4	Nut-Knob
13	433-0015-00	2	6-3/4In Idler Pulley 15/16In Spacer Assy	47	413-0029-00	18	Nut-Hex
14	410-0007-00	2	3/4In ID X15/16In OD X 1-1/8In Flng Bush	48	424-0002-00	1	1/4In Drive Type Grease Fitting Yz
15	490-0019-00-P11	1	Mwr Deck Idler Pulley Arm Assy Paint	49	418-0060-00	7	5/16-18 X 1 Carriage Bolt GR 8 Yz
16	418-0009-00	3	1/2-13 X 5-1/2 Hex Flange Bolt GR 8 Zy	50	419-0006-00	2	.312 ID X .875OD X .1875 THK F/W NYL
17	433-0014-00	1	6-3/4In Idler Pulley 7/16In Spacer ASM	51	3253-4	4	Washer-Lock
18	325-9	1	Screw-HH	52	116-7230	4	Screw-HHF
19	439-0257-00-P11	1	Deck Idler Pulley Belt Retr Brkt Paint	53	107-8541-05	1	Baffle-Discharge
20	32128-49	7	Nut-HHF	54	3231-27	2	Screw-CARR
21	324-7	2	Screw-HH	55	119-4042	2	Nut-HF, NI
22	148-1137	1	Bolt-L	56	148-0939	3	Blade-Rotary
23	413-0020-00	2	3/8-16 Hex Flange Nut W/Serr Zinc Yellow	57	148-0108	3	Washer-Hex
24	418-0010-00	2	Bolt-CARR	58	148-0114	6	M16 Spring Washer (39Mmod/ 3.9MM THK)
25	413-0022-00	2	Nut-HF	59	148-0109	3	M16X1.5-30MM C10.9 Hex Bolt
26	32128-37	21	Nut-HF	60	148-0938	3	Pulley
27	413-0027-00	9	Nut-HF, NI	61	148-0112	3	M16X1.5 C8.8 Hex Nut
28	439-0335-00-P11	1	Deck Belt Idler Damper Mtg Brkt Painted	62	126-7443	1	Belt-V
29	434-0009-00	1	Idler Gas Spring	63	3296-23	1	Nut-Lock, NI
30	322-47	2	Screw-HH	69	324-8	8	Screw-HH
31	413-0016-00	1	.312Idx.625Odx.062 THK Thrust Brg Oi Brz	70	419-0010-00	8	.443 ID X .749 OD X .125 THK Nylon Black

Deck Decal Assembly No. 148-0979

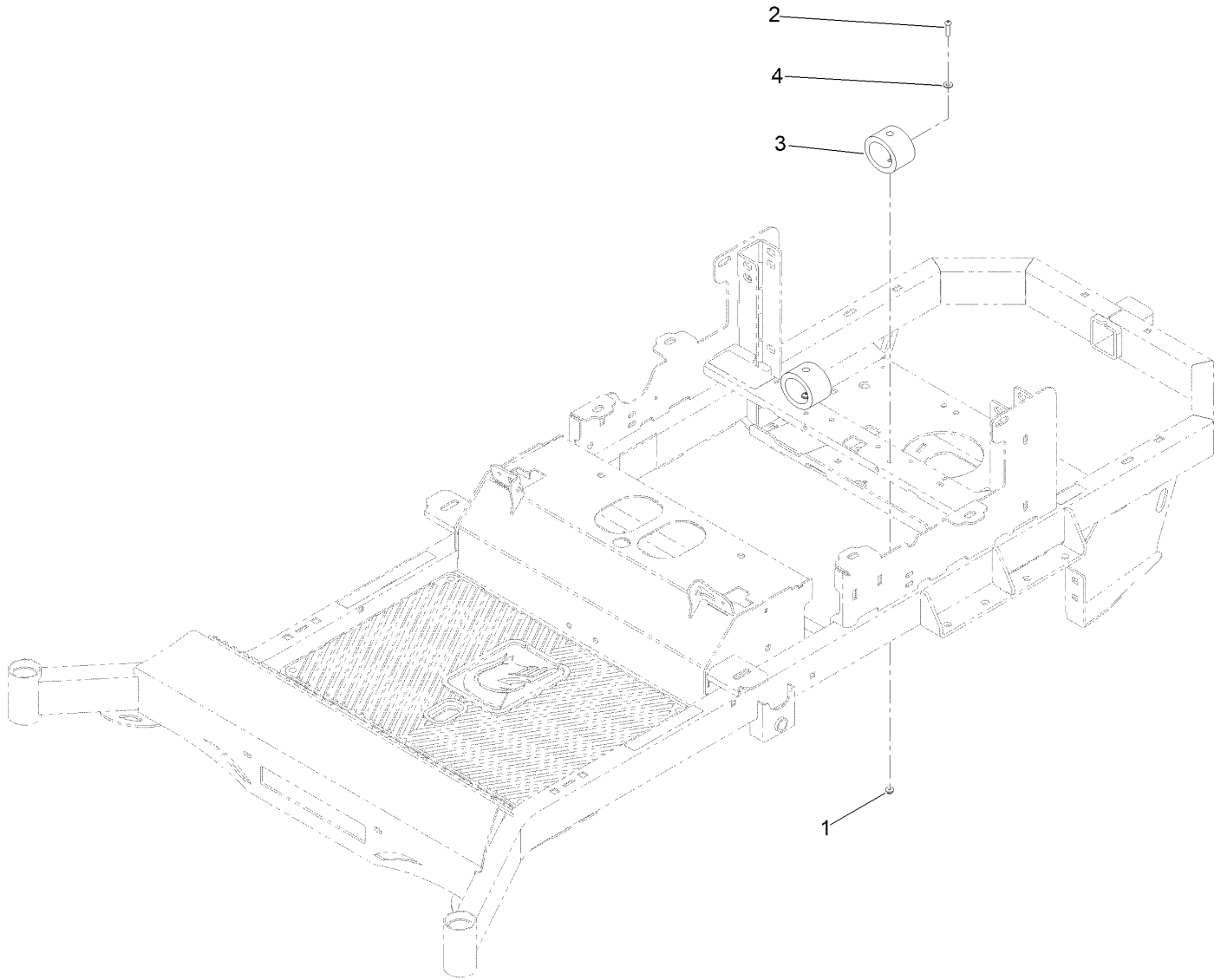


Deck Decal Assembly No. 148-0979 (continued)

<i>Ref.</i>	<i>Part Number</i>	<i>Qty.</i>	<i>Description</i>	<i>Ref.</i>	<i>Part Number</i>	<i>Qty.</i>	<i>Description</i>
1		1	Deck ASM-60 ●	5	148-1479	1	Decal-Belt Routing
4	161-6620	2	Decal-Danger, Deck	6	148-0443	1	Decal-Xtf

● Not serviced separately

Seat Suspension Assembly



Seat Suspension Assembly (continued)

<i>Ref.</i>	<i>Part Number</i>	<i>Qty.</i>	<i>Description</i>	<i>Ref.</i>	<i>Part Number</i>	<i>Qty.</i>	<i>Description</i>
1	104-7201	2	Nut-HF, NI	3	487-0004-00	2	Seat Rr Susp Elastomer
2	418-0039-00	2	1/4-20 X 1 Button Socket C/S 18-8 SS	4	515-0038	2	Washer-Flat

Notes:

Notes:

