



RT-HD 61in Mower

Model No. RSRHD161999KX—Serial No. 420000000 and Up

Parts Catalog



Ordering Replacement Parts

To order replacement parts, please supply the part number, the quantity, and the description of each part desired.

Understanding Reference Numbers

Each identified part in an illustration has a reference number. The reference number for a part also appears in the parts list, along with other information about the part.

This catalog uses two special reference number formats, one to indicate parts in a service assembly and another to indicate the quantity of a given part in an illustration.

Service Assembly Reference Numbers

Parts in service assemblies have reference numbers in the form a:b. The a represents the reference number of the entire service assembly and the b represents a sequential number unique to each part within the service assembly.

For example, a wheel assembly might be identified by reference number 6, the tire by 6:1, the valve by 6:2, and the wheel by 6:3. When you order the assembly identified by reference number 6, you receive all parts identified by reference numbers 6:1, 6:2, and 6:3. However, you may also order any part individually. Reference numbers of this type appear in illustration and in parts lists.

Reference Numbers Indicating Quantity

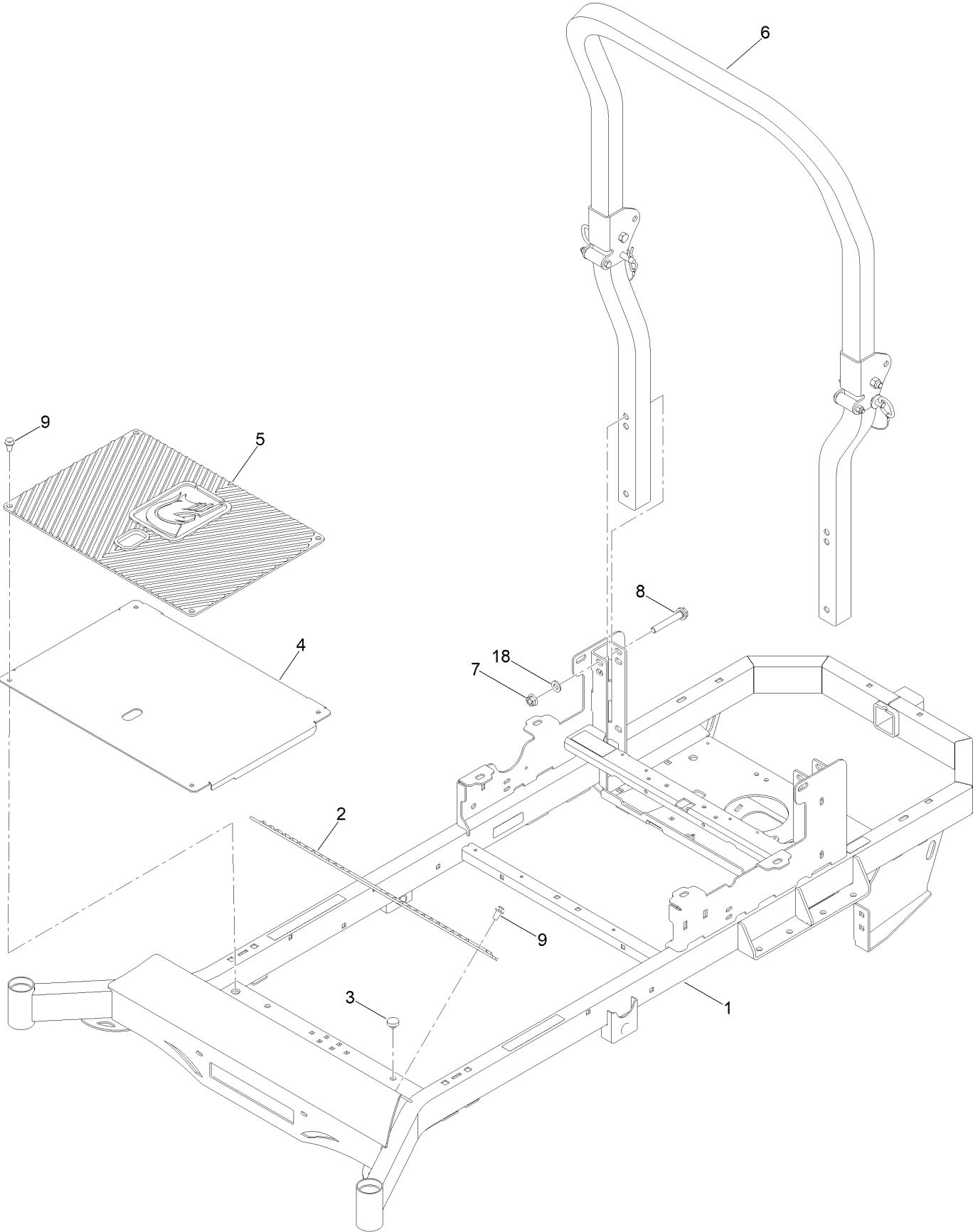
In an illustration, if a reference number indicates more than one part, the reference number has the form nX y. The n represents the quantity of the part, the X is the multiplication symbol, and the y represents the reference number.

For example, in an illustration, the reference number 2X 37 means that two of the parts identified by reference number 37 are indicated.

Contents

Main Frame Assembly	4
Frame with Decals Assembly No. 148-0997	6
Transmission Assembly	8
Body Styling Assembly	10
Fuel Tank Assembly	12
Fuel Tank Assembly No. 467-0001-00	14
Seat Assembly	16
Motion Control and Parking Brake Assembly	18
Caster Tire Assembly	20
Drive Wheel Assembly	22
Electrical Assembly	24
Decklift Assembly	26
HOC Pin Assembly No. 148-1450	28
Engine Assembly	30
61 Inch Cutting Deck Assembly	32
Deck Decal Assembly No. 148-0787	34
Seat Suspension Assembly	36

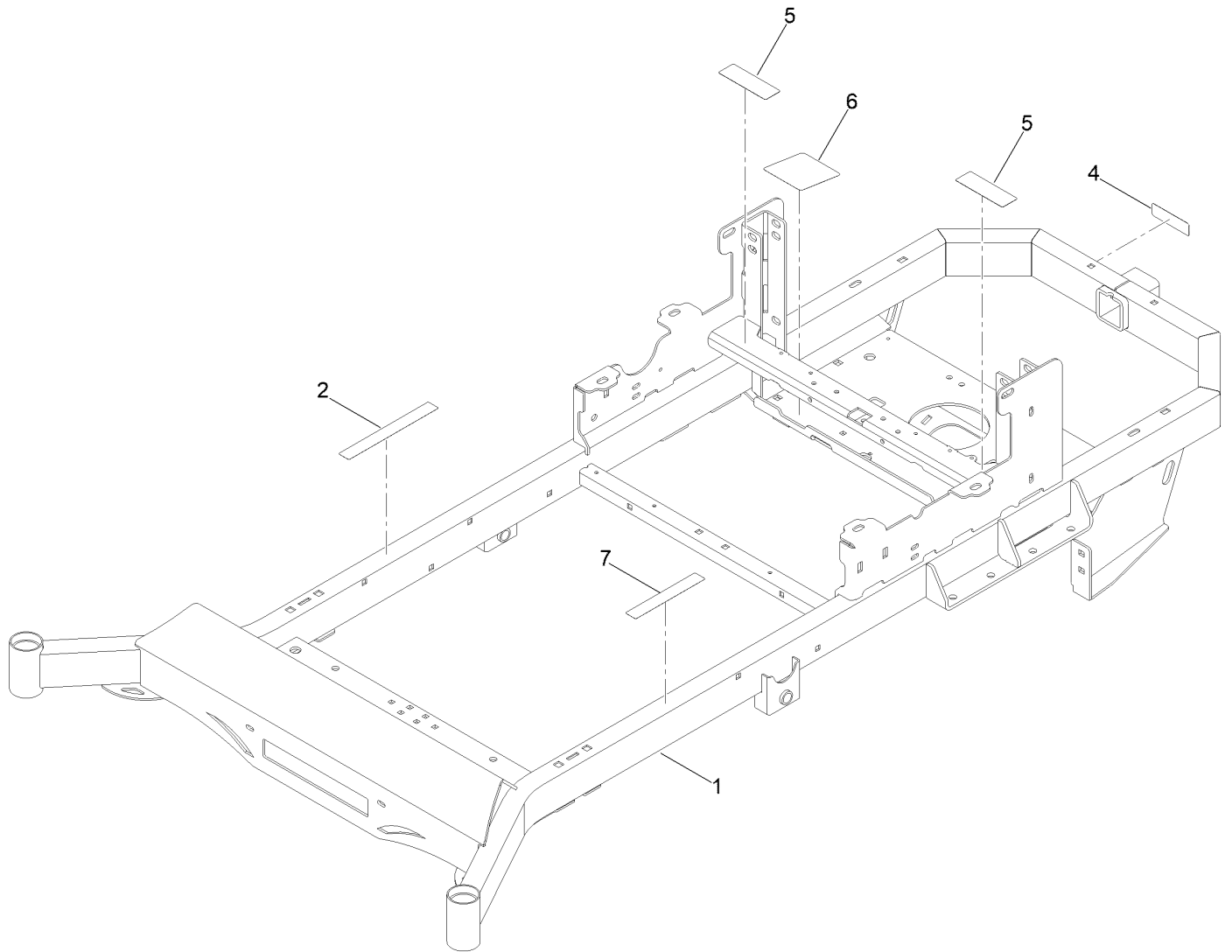
Main Frame Assembly



Main Frame Assembly (continued)

<i>Ref.</i>	<i>Part Number</i>	<i>Qty.</i>	<i>Description</i>	<i>Ref.</i>	<i>Part Number</i>	<i>Qty.</i>	<i>Description</i>
1	148-0997	1	Frame ASM-Decals	7	413-0014-00	4	1/2-13 Hex Stover Locknut GR C Zinc
2	481-0005-00	1	Mwr Rubber Foot Rest Mat	8	418-0019-00	4	Bolt-HF
3	429-0002-00	2	Push-In Rubber Bumper	9	414-0002-00	10	8MM Push Type Retainer Nylon Black
4	439-0007-00-P11	1	Mwr Floorboard Paint	18	106-9888	4	Washer-Flat
5	481-0006-00	1	Mwr Logo Floor Mat				
6	148-0233	1	ROPS				

Frame with Decals Assembly No. 148-0997

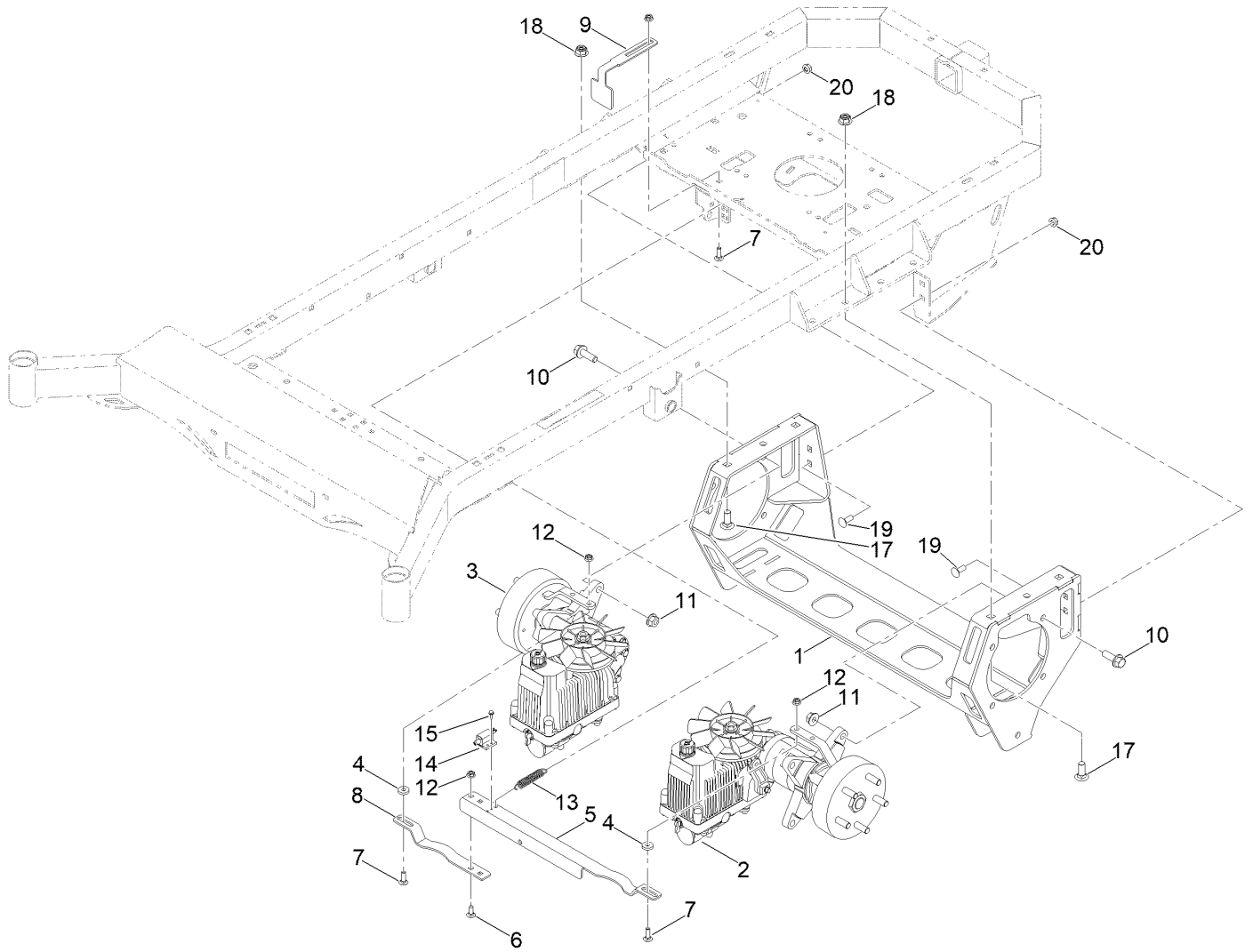


Frame with Decals Assembly No. 148-0997 (continued)

<i>Ref.</i>	<i>Part Number</i>	<i>Qty.</i>	<i>Description</i>	<i>Ref.</i>	<i>Part Number</i>	<i>Qty.</i>	<i>Description</i>
1		1	Ztr Frame ASM ●	5	148-1308	2	Decal-Warn Rotating Device
2	148-1095	1	Decal-Warning	6	148-1480	1	Decal-Belt Routing
4	147-7364	1	Decal-Hitch	7	148-1094	1	Decal-Warning

● Not serviced separately

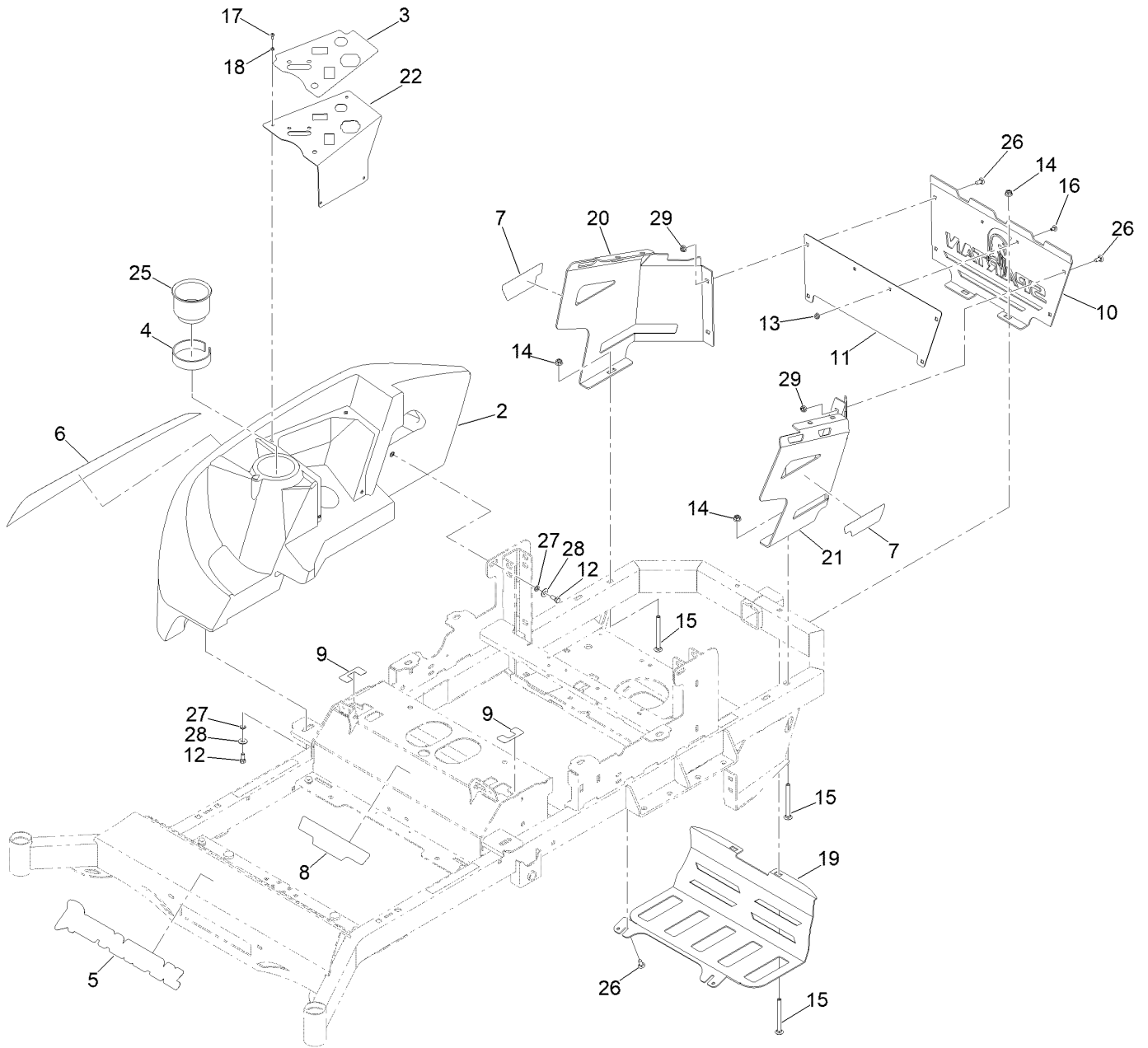
Transmission Assembly



Transmission Assembly (continued)

<i>Ref.</i>	<i>Part Number</i>	<i>Qty.</i>	<i>Description</i>	<i>Ref.</i>	<i>Part Number</i>	<i>Qty.</i>	<i>Description</i>
1	148-0985-P11	1	Hydro Frame ASM	10	100-6116	8	Screw-HHF
2	450-0005-00	1	Htj12 Parker Lt Side Hydrostatic Transm	11	32128-49	8	Nut-HHF
3	450-0006-00	1	Htj12 Parker Rt Side Hydrostatic Transm	12	413-0027-00	4	Nut-HF, NI
4	419-0006-00	2	.312 ID X .875OD X .1875 THK F/W NYL	13	434-0003-00	1	Mwr Brake Pedal Release Spring
5	439-0607-00-P11	1	Mwr Park Brake Brkt Lt Paint	14	486-0030-00	1	No Plunger Limit Switch
6	418-0008-00	2	Bolt-CARR	15	418-0032-00	2	8-32 X 1/2 Ind. HWH Slot Type F Tcs Zinc
7	418-0010-00	2	Bolt-CARR	17	148-1262	4	Screw-CARR,Patch
8	439-0606-00-P11	1	Mwr Park Brake Brkt Rt Paint	18	413-1005-00	4	1/2-13 Hex Flange 2-Way Rev Cntr L/Nyz
9	439-0066-00-P11	1	Stand Trans Brake Interlock Brkt Paint	19	418-0045-00	4	3/8-16 X 1 Carriage Bolt Yz GR.8
				20	413-0029-00	4	Nut-Hex

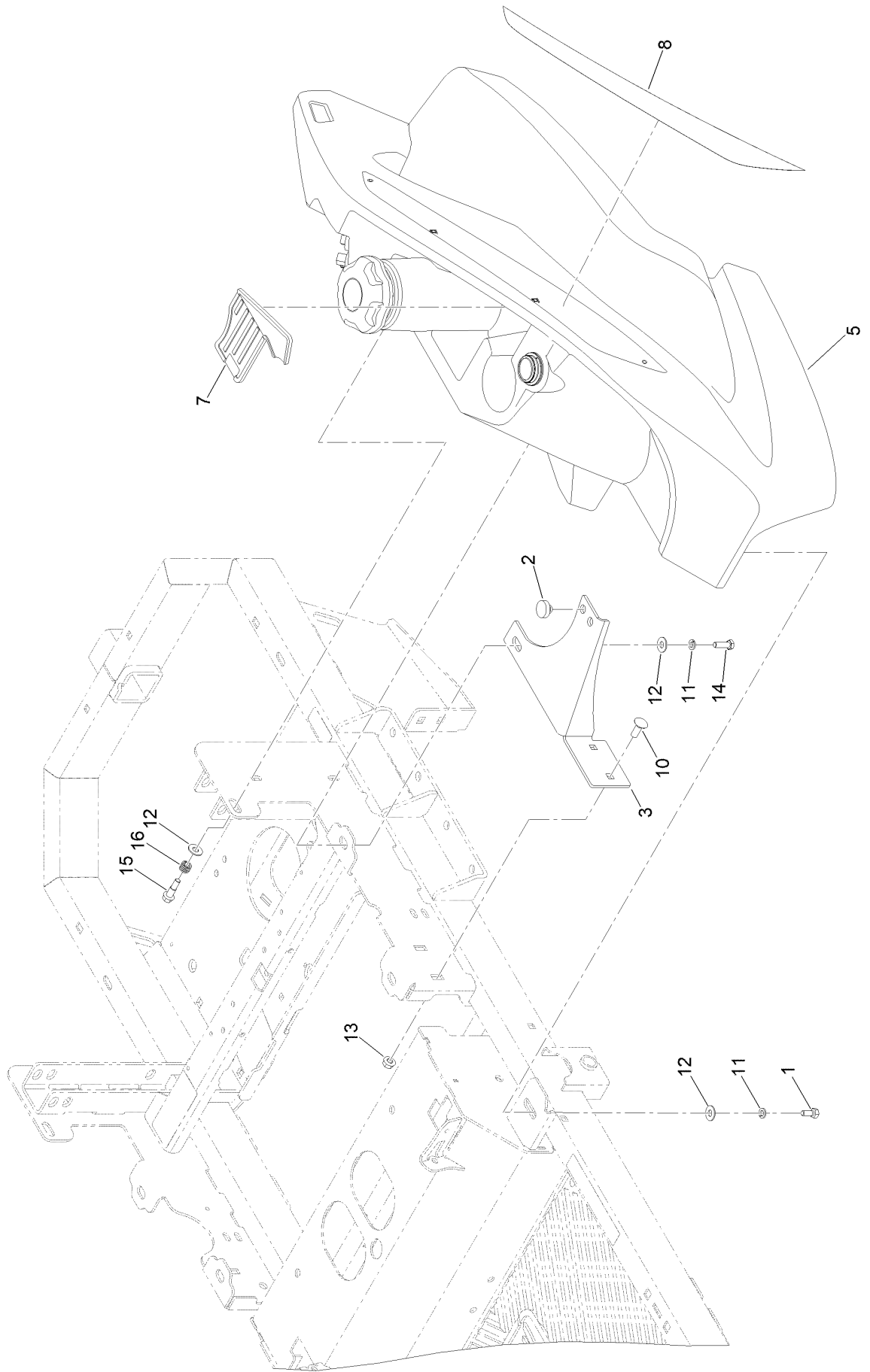
Body Styling Assembly



Body Styling Assembly (continued)

<i>Ref.</i>	<i>Part Number</i>	<i>Qty.</i>	<i>Description</i>	<i>Ref.</i>	<i>Part Number</i>	<i>Qty.</i>	<i>Description</i>
2	148-0307	1	Console W/ Cupholder	16	418-0031-00	2	1/4-20 X 1/2 Carriage Bolt, Yz
3	148-1097	1	Decal-Control Panel	17	418-0055-00	4	10-24 X 1/2 Socket C/S 18-8 SS
4	148-0770	1	Tape-Foam	18	419-0011-00	4	#10 Split Lockwasher 18-8 SS
5	148-0801	1	Decal-Spartan, Front	19	148-1172-P11	1	Muffler Guard [gray]
6	148-0845	1	Decal-Tank	20	439-0691-00-P11	1	2021 Rt/Srt Engn Cowling Rtpainted
7	148-0864	2	Decal-Model	21	439-0692-00-P11	1	2021 Rt/Srt Engn Cowling Lt Painted
8	148-0868	1	Decal-Rt-HD Gt Trac Model	22	148-1042-05	1	Rt 45 Key Mnt
9	148-1056	1	Decal-Motion Control	25	780-2220-00	1	Cup Holder
10	148-1067-P11	1	Plate - Engine Cowling	26	418-0008-00	4	Bolt-CARR
11	148-1068-P12	1	Plate -Backer Plate	27	3253-4	4	Washer-Lock
12	418-0054-00	4	Screw-HH	28	419-0007-00	4	Washer-Flat
13	413-0023-00	2	1/4-20 Hex Flange Nut W/Serr Zinc	29	413-0022-00	4	Nut-HF
14	413-0013-00	4	3/8-16 Nylon Insert Flange L/Nut Yz				
15	418-0018-00	4	3/8-16 X 4 Carriage Bolt Zinc				

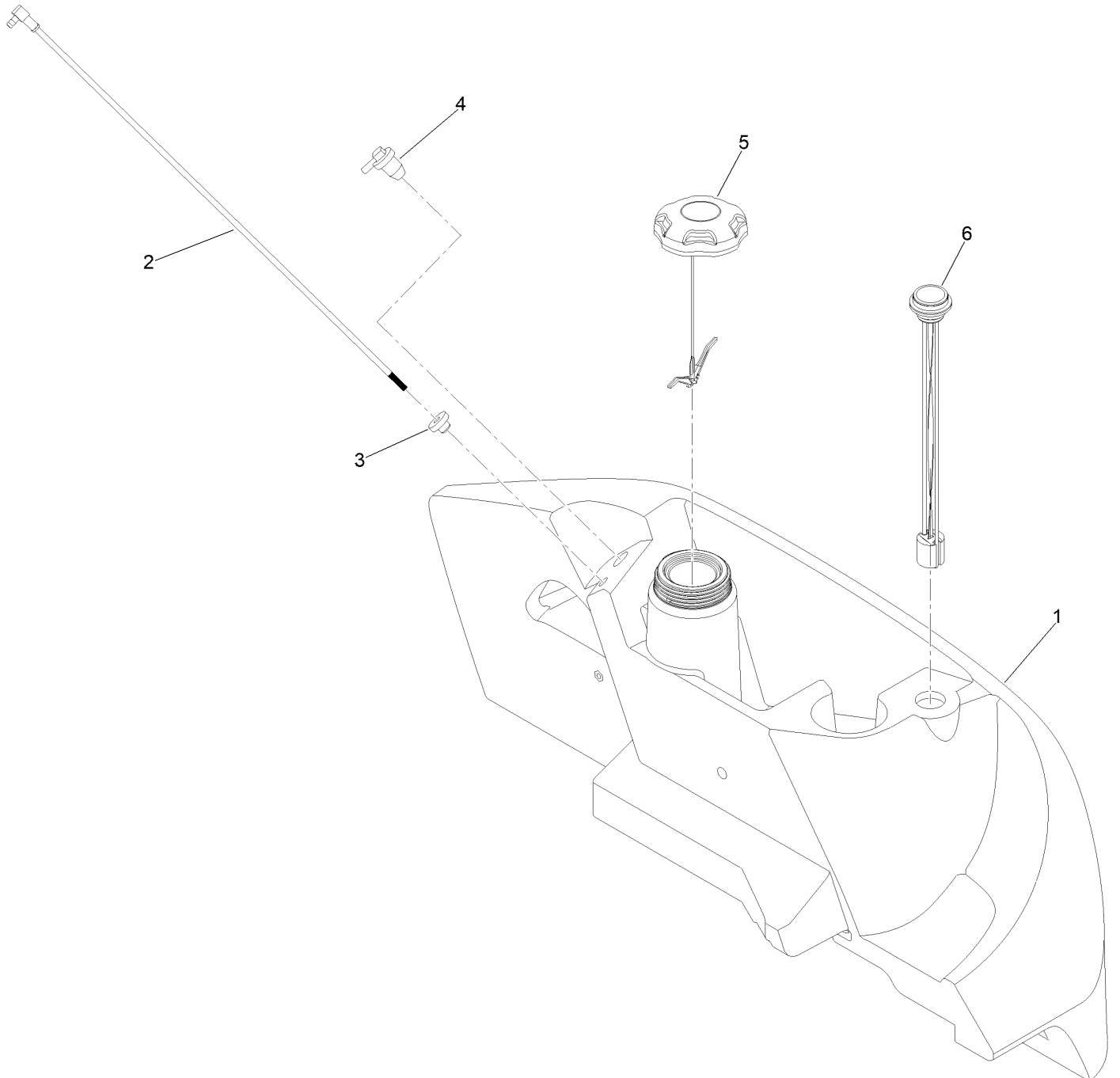
Fuel Tank Assembly



Fuel Tank Assembly (continued)

<i>Ref.</i>	<i>Part Number</i>	<i>Qty.</i>	<i>Description</i>	<i>Ref.</i>	<i>Part Number</i>	<i>Qty.</i>	<i>Description</i>
1	418-0054-00	2	Screw-HH	11	3253-4	3	Washer-Lock
2	429-0002-00	2	Push-In Rubber Bumper	12	419-0007-00	4	Washer-Flat
3	148-0478-P11	1	Bracket-Tank Support	13	413-0020-00	2	3/8-16 Hex Flange Nut W/Serr Zinc Yellow
5	467-0001-00	1	Mwr Gasoline Fuel Tank Assy	14	418-0108-00	1	Screw-HH
7	481-0004-00	1	Rubber Tank Storage Compartment Insert	15	418-0287-00	1	Screw-Shoulder,HHF
8	148-0844	1	Decal-Tank	16	434-0020-00	1	Spring-Compression
10	418-0045-00	2	3/8-16 X 1 Carriage Bolt Yz GR.8				

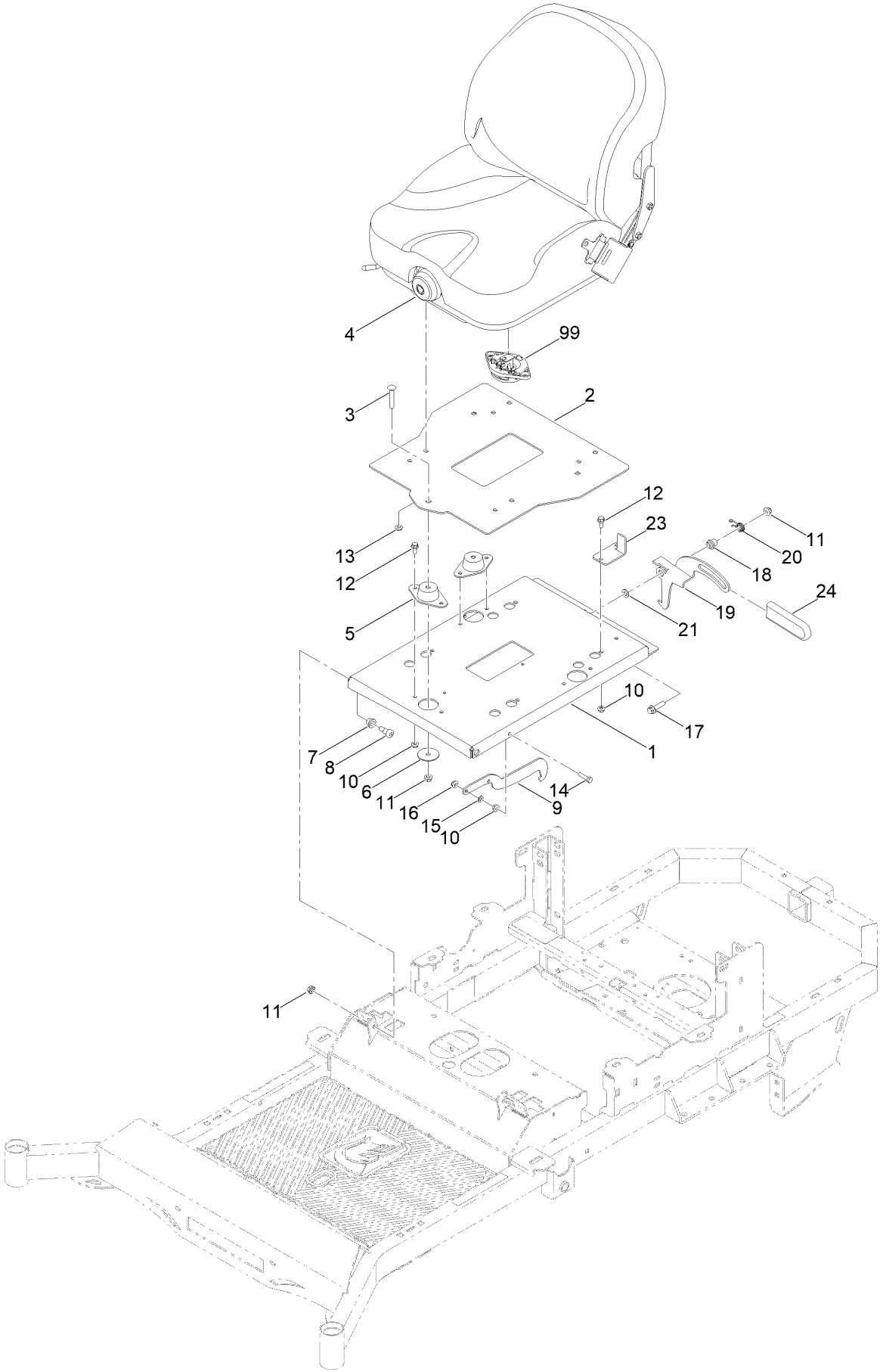
Fuel Tank Assembly No. 467-0001-00



Fuel Tank Assembly No. 467-0001-00 (continued)

<i>Ref.</i>	<i>Part Number</i>	<i>Qty.</i>	<i>Description</i>	<i>Ref.</i>	<i>Part Number</i>	<i>Qty.</i>	<i>Description</i>
1	467-0011-00	1	Rz Fuel Pickup Tube (Solar Tank)	4	467-0006-00	1	Remote Tank Vent Valve W/Grommet
2	467-0012-00	1	25.14In Fuel Pickup Tube W/Filter Screen	5	467-0008-00	1	Kelch Tank Fill Neck Non-Ventcap(204541)
3	467-0005-00	1	Fuel Pickup Tube Gromm Nitrdapco 10672	6	467-0035-00	1	Rt/Srt Rochester Fuel Gauge

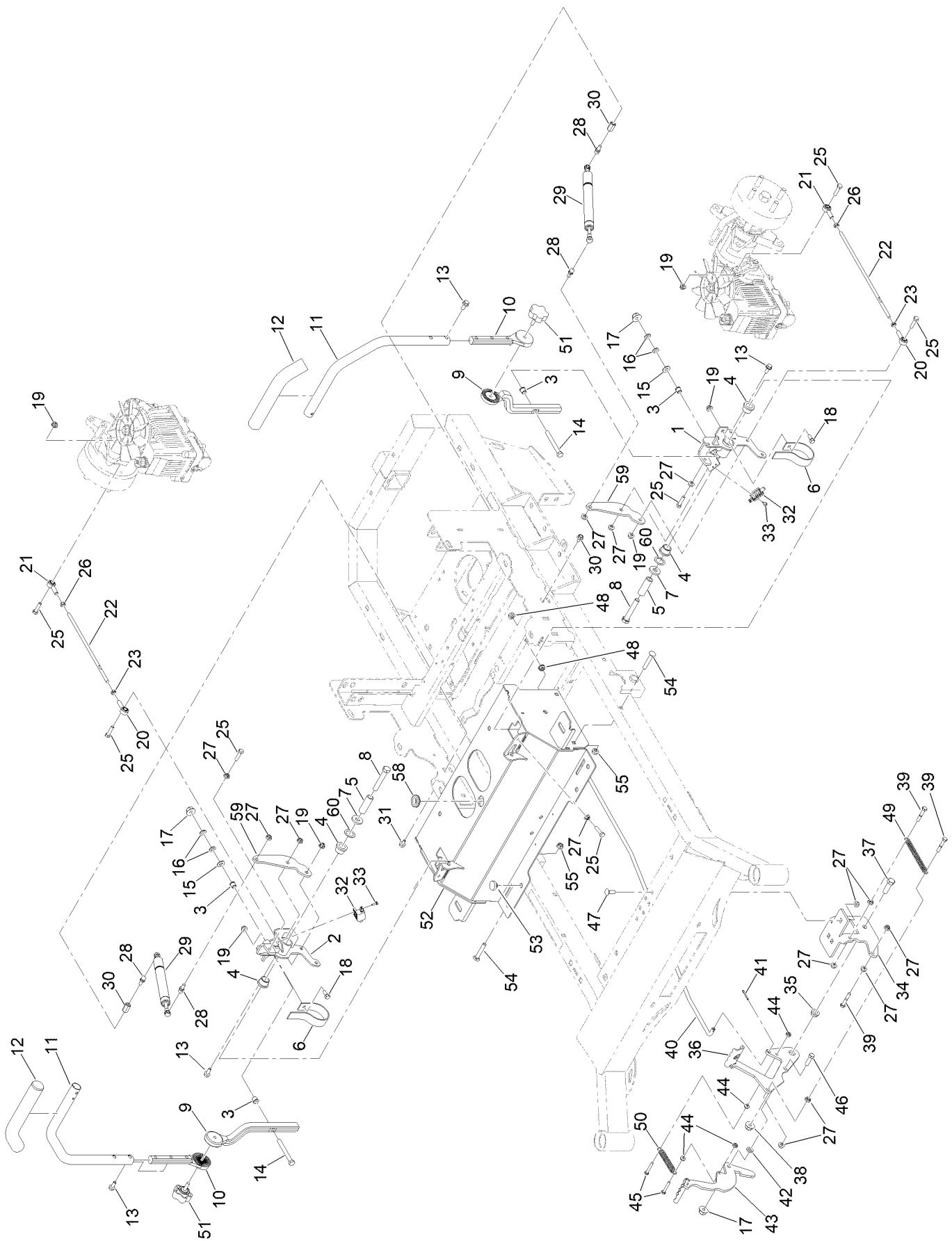
Seat Assembly



Seat Assembly (continued)

<i>Ref.</i>	<i>Part Number</i>	<i>Qty.</i>	<i>Description</i>	<i>Ref.</i>	<i>Part Number</i>	<i>Qty.</i>	<i>Description</i>
1	148-1008-P11	1	Plate-Seat, No360	13	413-0019-00	4	5/16-18 Nylon Insert Flange L/Nut Zc
2	426-0231-00-P11	1	2019 Upgrade Seat Plate Paint	14	322-47	1	Screw-HH
3	618-2023-00	3	Screw-CARR	15	413-0016-00	1	.312Idx.625Odx.062 THK Thrust Brg Oi Brz
4	471-0015-00	1	2019 Full Susp Seat	16	413-0027-00	1	Nut-HF, NI
5	487-0007-00	3	Floating Seat Damper-Stiffer	17	323-9	1	Screw-HH
6	419-0022-00	3	3/8 X 2In OD Fender Washer Yz	18	107-0075	1	Bushing-Latch, Seat
7	410-0010-00	2	1/2In ID X 5/8In OD X 1/2In Flange Bush	19	148-0953	1	Bracket-Latch
8	418-0038-00	2	1/2 X 1/2 Socket Shoulder Bolt Zc Yellow	20	126-8923	1	Spring-Torsion, Latch
9	439-0065-00-P11	1	Mwr Seat Latch Hook Paint	21	138-7207	1	Spacer-Hub, Blower
10	413-0022-00	9	Nut-HF	23	148-1305-05	1	Bkt-Stop, Slide
11	413-0029-00	6	Nut-Hex	24	484-0002-00	1	Stand Up Mwr Brake Arm Grip
12	116-7230	8	Screw-HHF	99	486-0036-00	1	Mwr Seat Switch

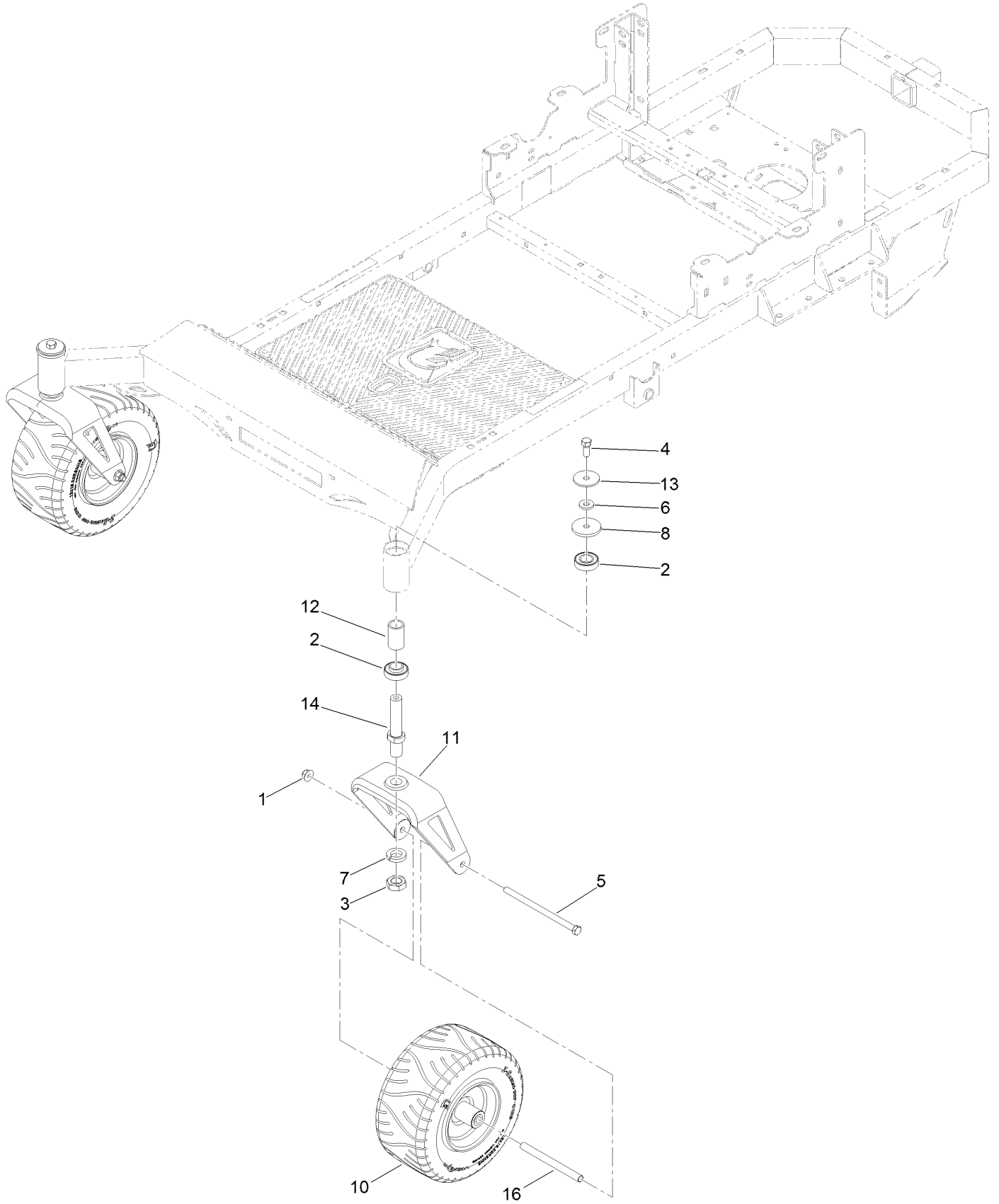
Motion Control and Parking Brake Assembly



Motion Control and Parking Brake Assembly (continued)

<i>Ref.</i>	<i>Part Number</i>	<i>Qty.</i>	<i>Description</i>	<i>Ref.</i>	<i>Part Number</i>	<i>Qty.</i>	<i>Description</i>
1	148-0888-05	1	LH Pivot ASM	33	418-0032-00	4	8-32 X 1/2 Ind. HWH Slot Type F Tcs Zinc
2	148-0889-05	1	RH Pivot ASM	34	439-0009-00-P11	1	Mwr Frame Brake Mtg Brkt Paint
3	148-0886	4	Bushing-Flange	35	410-0009-00	1	1/2In ID X 3/4In OD X 3/8In Flange Bush
4	148-0897	4	Bushing-Flange	36	490-0016-00-P11	1	Mwr Brake Lock Lever Assy Painted
5	148-0885	2	Sleeve-Pivot	37	139-2631	1	Screw-HH
6	109-5575	2	Spring-Leaf	38	413-0002-00	1	Nut-Lock
7	419-0003-00	2	1/2 Fender Washer 1-1/4In OD Zinc	39	418-0027-00	3	Bolt-HH
8	418-0050-00	2	1/2-13 X 3 Hex C/S GR 5 Zinc W/Loctite	40	435-0004-00	1	Mwr Brake Linkage
9	431-0002-00	2	Adjustable Lwr Drive Arm	41	3272-11	1	Pin-Cotter
10	431-0003-00	2	Adjustable Upp Drive Arm	42	413-0052-00	1	3/8 ID X 3/4 OD X .125 THK Bronze Washer
11	403-0020-10-P11	2	Mower Drive Handle Tube Abc	43	490-0017-00-P11	1	Mwr Brake Unlock Lever Assy Painted
12	484-0001-00	2	Control Arm Handle Grip	44	413-0012-00	4	1/4-20 Hex Flange Nut
13	116-7230	6	Screw-HHF	45	418-0029-00	2	1/4-20 X 1-1/4 Hex C/S GR 2 Zinc
14	323-20	2	Screw-HH	46	323-7	1	Screw-HH
15	419-0007-00	2	Washer-Flat	47	418-0008-00	3	Bolt-CARR
16	148-1012	4	Washer-Belleville	48	413-0020-00	2	3/8-16 Hex Flange Nut W/Serr Zinc Yellow
17	413-0013-00	3	3/8-16 Nylon Insert Flange L/Nut Yz	49	434-0015-00	1	2020 Mwr Brake Pedal Tension Spring
18	418-0054-00	2	Screw-HH	50	434-0003-00	1	Mwr Brake Pedal Release Spring
19	413-0027-00	6	Nut-HF, NI	51	148-0228	2	5/16-18 X 1 SI 5-Lobe Male ST Knob 1.90
20	410-0070-00	2	5/16-24 Spher Rod End Zinc LH Thd Fem	52	148-0911-P11	1	ASM, Gt-Trac [gray]
21	410-0071-00	2	5/16-24 Spher Rod End Zinc RH Thd Fem	53	429-0002-00	2	Push-In Rubber Bumper
22	435-0033-00	2	1310 Ttq Drive Arm Rod	54	618-2023-00	4	Screw-CARR
23	3220-20	2	Nut-Jam	55	413-0029-00	4	Nut-Hex
25	322-47	8	Screw-HH	58	240-6	1	Grommet-Rubber
26	09207	2	Nut	59	148-1492-05	2	Plate-Damper
27	413-0022-00	17	Nut-HF	60	418-0110-00	2	.767ldx1.125Odx.016 THK Trip Wv Washer
28	487-0005-00	4	5/16-18X1.286 Damper Ball Stud (.562 TI)				
29	487-0001-00	2	Control Arm Damper				
30	613-0065-00	2	Standoff-Hex				
31	3234-28	2	Screw-HHF				
32	486-0030-00	2	No Plunger Limit Switch				

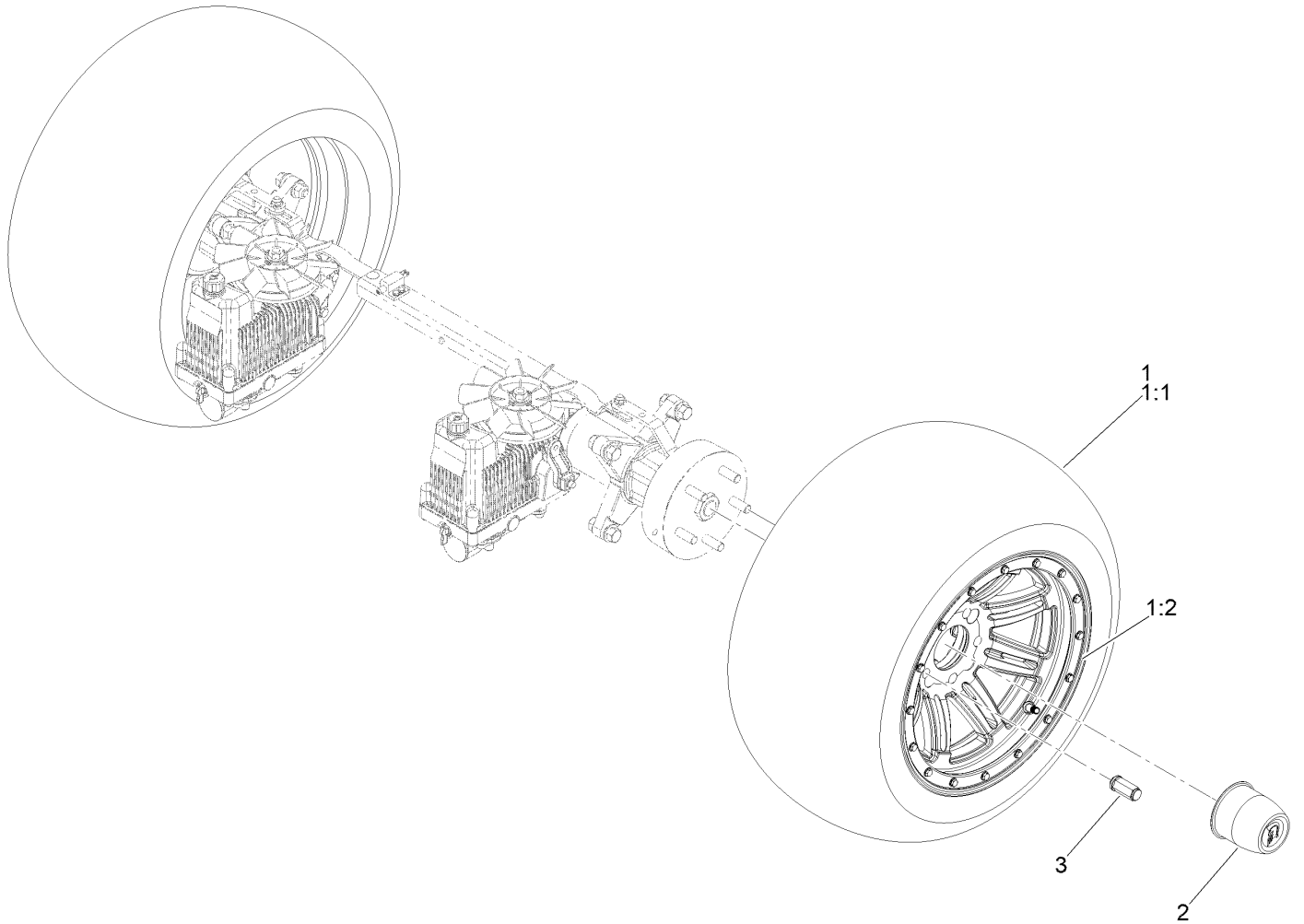
Caster Tire Assembly



Caster Tire Assembly (continued)

<i>Ref.</i>	<i>Part Number</i>	<i>Qty.</i>	<i>Description</i>	<i>Ref.</i>	<i>Part Number</i>	<i>Qty.</i>	<i>Description</i>
1	413-0002-00	2	Nut-Lock	8	419-0025-00	2	Ft Hub Plastic Washer
2	103-3540	4	Bearing-Ball	10	422-0042-00	2	Spartan Radial Ft Tire And Wheel Assm
3	413-0063-00	2	Nut-Hex	11	423-0001-00-P11	2	Rt And Srt Caster Wheel Fork
4	418-0002-00	2	1/2-20 X 1-1/4 Hex Flange Bolt GR 8 Yz	12	425-0011-00	2	Caster Fork Shaft Bearing Spacer
5	418-0003-00	2	1/2-13 X 8-1/2 Hex C/S GR 5 Zinc Yellow	13	426-0006-00-P11	2	Mwr Caster Shaft Washer
6	419-0003-00	2	1/2 Fender Washer 1-1/4In OD Zinc	14	437-0019-00	2	Mwr Caster Shaft
7	419-0024-00	2	1In L/W Med Split Zc	16	425-0010-00	2	Mwr Ft Wheel Spanner

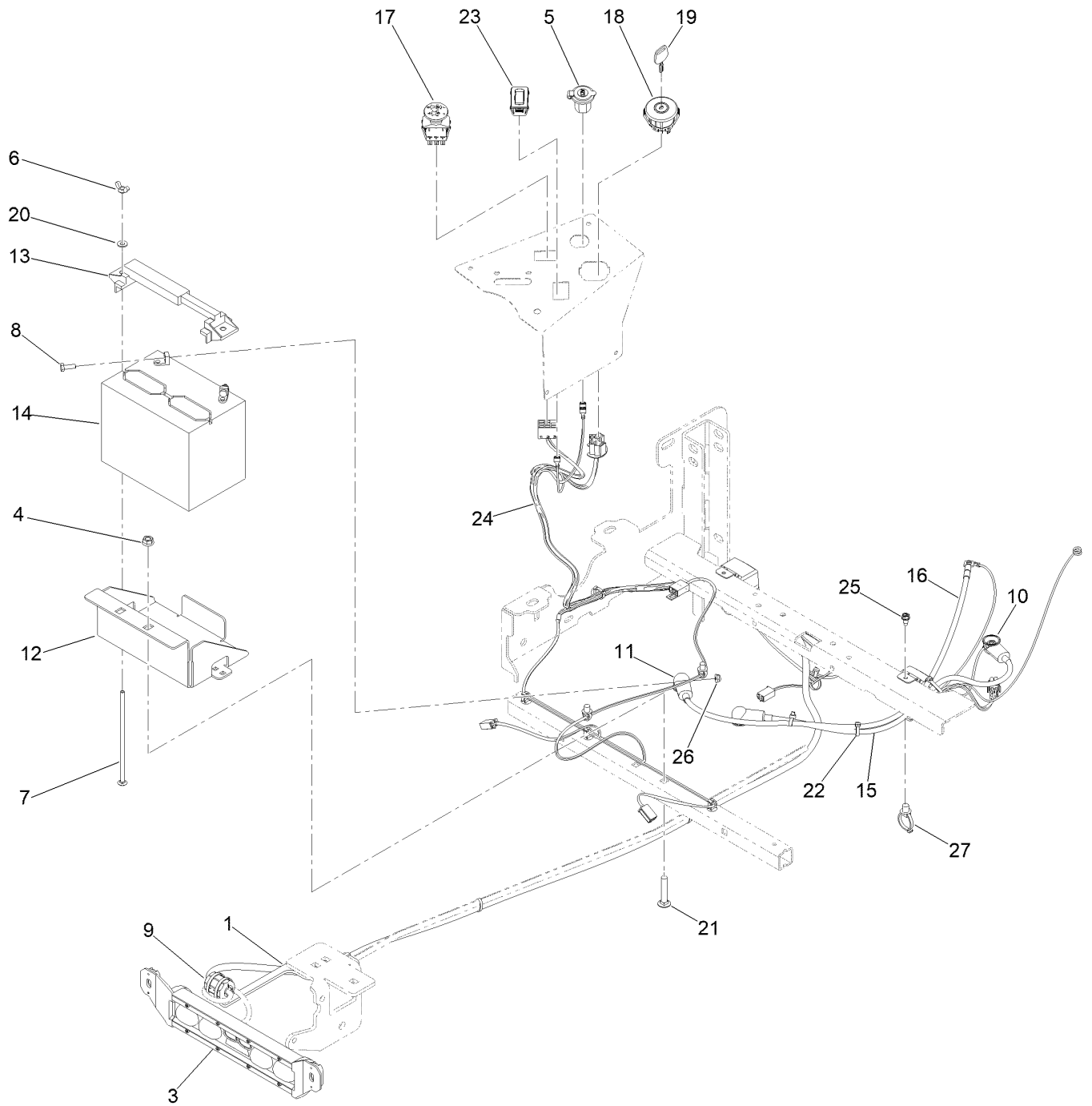
Drive Wheel Assembly



Drive Wheel Assembly (continued)

<i>Ref.</i>	<i>Part Number</i>	<i>Qty.</i>	<i>Description</i>	<i>Ref.</i>	<i>Part Number</i>	<i>Qty.</i>	<i>Description</i>
1	422-0021-00	2	Rt/Srt 61/72In Deck Rr Whl Assm 24X12-12	1:2	422-0034-00	1	8In Steel Wheel
1:1	422-0032-00	1	24X 12 X 12 Soft Ride Radial Tire Only	2	422-0035-00	2	Rr Steel Wheel Silver Cntr Cap
				3	613-0001-00	10	Lug Nuts

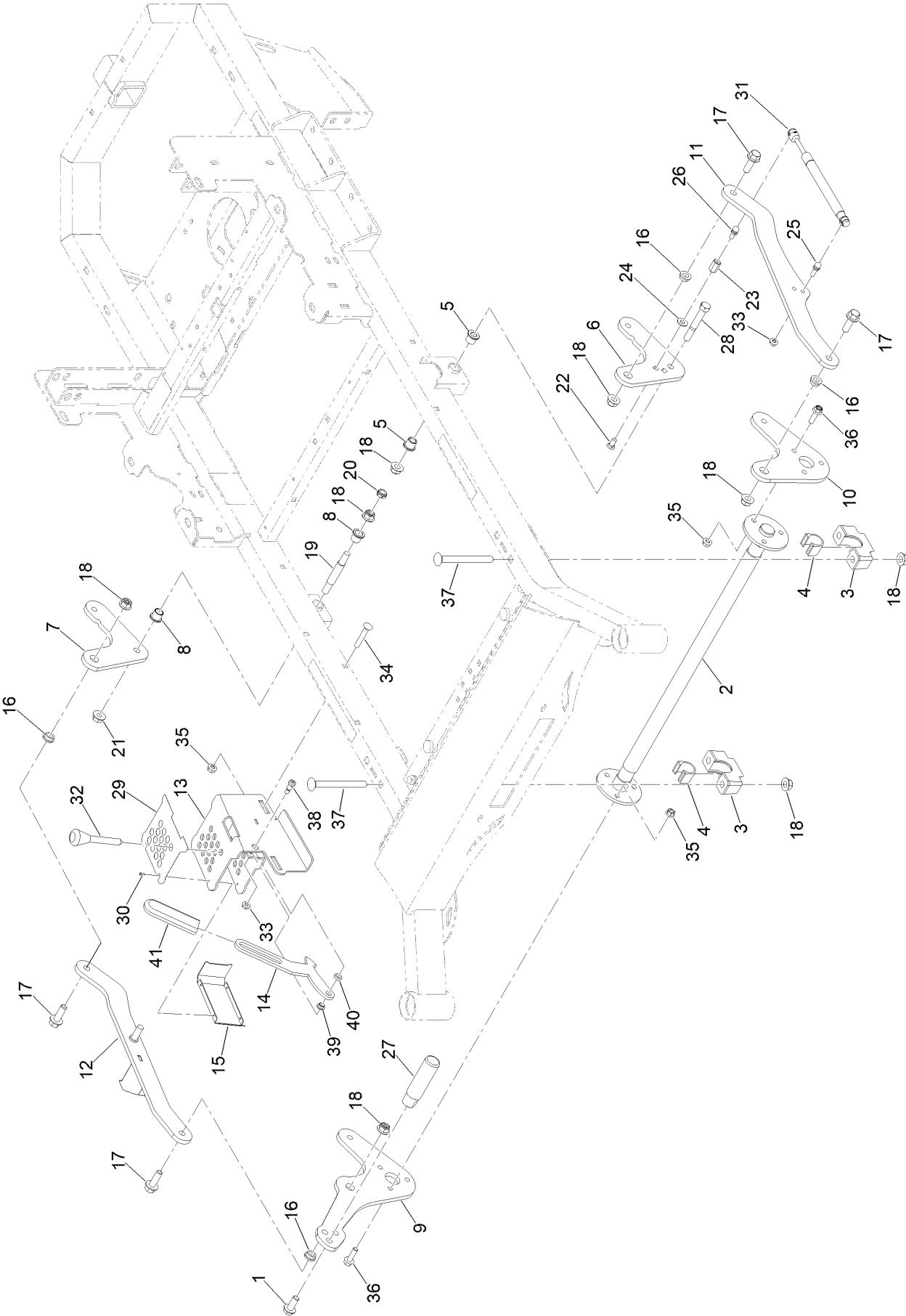
Electrical Assembly



Electrical Assembly (continued)

<i>Ref.</i>	<i>Part Number</i>	<i>Qty.</i>	<i>Description</i>	<i>Ref.</i>	<i>Part Number</i>	<i>Qty.</i>	<i>Description</i>
1	148-0219-05	1	Fair-Rite Bracket Painted	13	443-0001-00	1	Battery Hold Down
3	486-0042-00	1	Full Beam With Lighted Helmet Light Bar	14	468-0001-00	1	Mwr Start Battery 350CCA
4	413-0020-00	2	3/8-16 Hex Flange Nut W/Serr Zinc Yellow	15	486-0016-00	1	Mwr Positive Battery Cable 25In
5	677-2075-00	1	12 Volt Auxilliary Plug	16	486-0017-00	1	Mwr Negative Cable 28
6	1-803038	2	Wingnut	17	486-0060-00	1	PTO Switch
7	418-0034-00	2	1/4-20 X 7 Carriage Bolt Zinc	18	486-0062-00	1	Ignition Switch
8	321-4	2	Screw-HH	19	486-0065-00	1	2023 Mwr Key
9	148-0191	1	Fair-Rite Round Cable Snap-It Size B	20	515-0038	2	Washer-Flat
10	436-0002-00	1	3.15 Lgth Straight Insul Term Cover Red	21	3231-6	2	Screw-CARR
11	436-0003-00	1	Straight Insulating Terminal Cover	22	3290-379	13	Tie-Cable
12	439-0008-00-P11	1	Mwr Battery Box	23	148-1063	1	Hour Meter
				24	148-1028	1	Harness-Wire
				25	120-9551	2	Screw-HWH
				26	104-7201	2	Nut-HF, NI
				27	32180-030	1	Clip-Tie

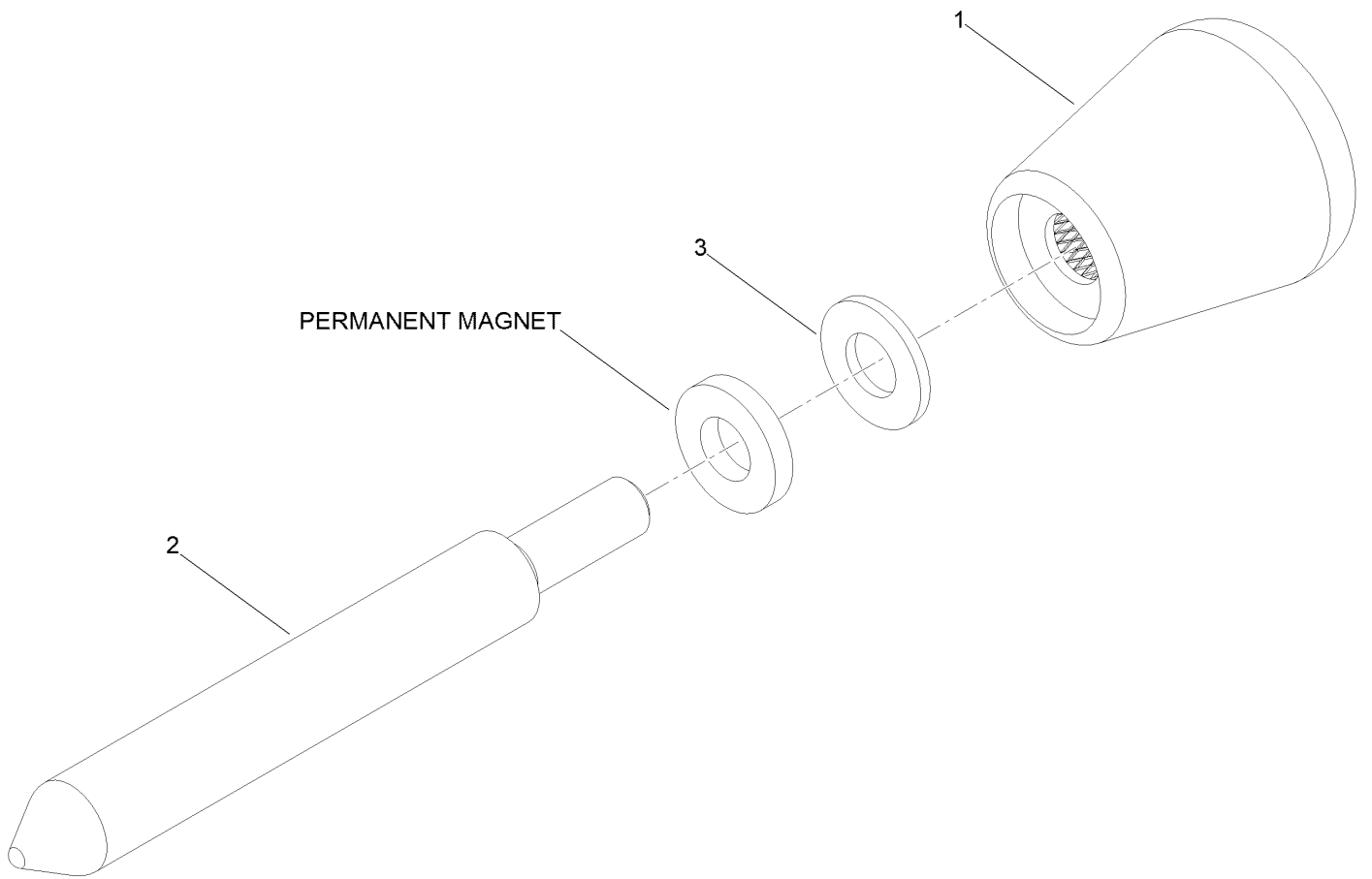
Decklift Assembly



Decklift Assembly (continued)

<i>Ref.</i>	<i>Part Number</i>	<i>Qty.</i>	<i>Description</i>	<i>Ref.</i>	<i>Part Number</i>	<i>Qty.</i>	<i>Description</i>
1	148-0095	1	1/2-13X1.25In Hex Flange Bolt (GR.8) Yz	23	148-0422	1	Hex Coupling Nut - Reducer (3/8" To 5/16
2	148-1074	1	Decklift ASM-Front	24	419-0007-00	1	Washer-Flat
3	148-1085	2	Support-Bearing Housing	25	487-0008-00	1	5/16-18X1.286 Damper Ball Stud (.562 TI)
4	109-9410	2	Bearing-Cross Shaft, Front	26	487-0005-00	1	5/16-18X1.286 Damper Ball Stud (.562 TI)
5	135-5694	2	Bushing-Flange	27	148-0951	1	Pedal
6	148-1003-P11	1	(Rz Rear HOC Hanger)	28	418-0042-00	1	1/2-13 X 3-1/2 Hex C/S GR 5 Zinc Yellow
7	148-0418-P11	1	Arm-Decklift Rear (3/8")	29	148-1036	1	Decal-Height Of Cut
8	135-9063	2	Bushing-Flange	30	923786	4	Rivet
9	148-0950-P11	1	Lever-Lift	31	434-0001-00	1	Deck Assist Gas Spring
10	148-1075-P11	1	Plate-Decklift, Arm LH	32	148-1450	1	HOC Pin ASM
11	148-0940-P11	1	Link-HOC(Left Side)	33	413-0022-00	2	Nut-HF
12	148-0941-P11	1	Link ASM-HOC(Right Side Welded)	34	618-2023-00	2	Screw-CARR
13	148-0946-P11	1	Bracket-HOC ASM	35	413-0029-00	8	Nut-Hex
14	148-0943	1	Plate-Transport Lock	36	148-1087	6	Screw-HHF
15	148-0949-P11	1	Cover-HOC	37	148-1080	4	Screw-CARR
16	410-0009-00	4	1/2In ID X 3/4In OD X 3/8In Flange Bush	38	418-0083-00	1	3/8 X 1/2 Socket Shoulder Bolt Yz
17	100-6116	4	Screw-HHF	39	148-1211	1	Bushing-Flange
18	413-1005-00	10	1/2-13 Hex Flange 2-Way Rev Cntr L/Nyz	40	148-1212	1	Washer-Plain
19	418-0276-00	1	Rr Deck Height Bolt (Machined)	41	484-0002-00	1	Stand Up Mwr Brake Arm Grip
20	3296-45	1	Nut-Hex				
21	32128-49	1	Nut-HHF				
22	618-2068-00	1	3/8 X 3/4In GR 8 CARR Bolt Zinc				

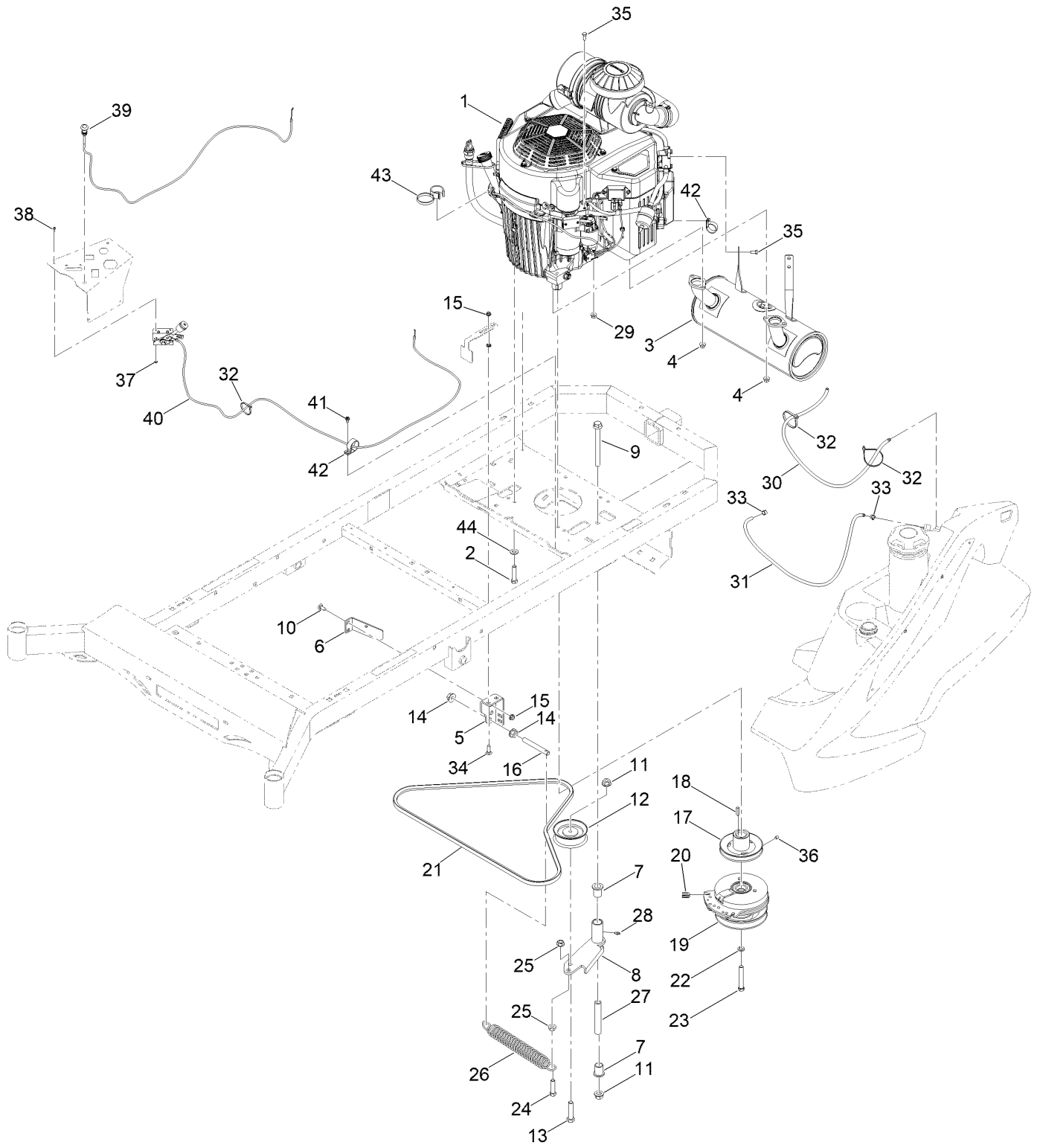
HOC Pin Assembly No. 148-1450



HOC Pin Assembly No. 148-1450 (continued)

<i>Ref.</i>	<i>Part Number</i>	<i>Qty.</i>	<i>Description</i>
1	126-7390	1	Knob-Tapered
2	148-1451	1	Pin-HOC
3	3256-23	1	Washer-Plain

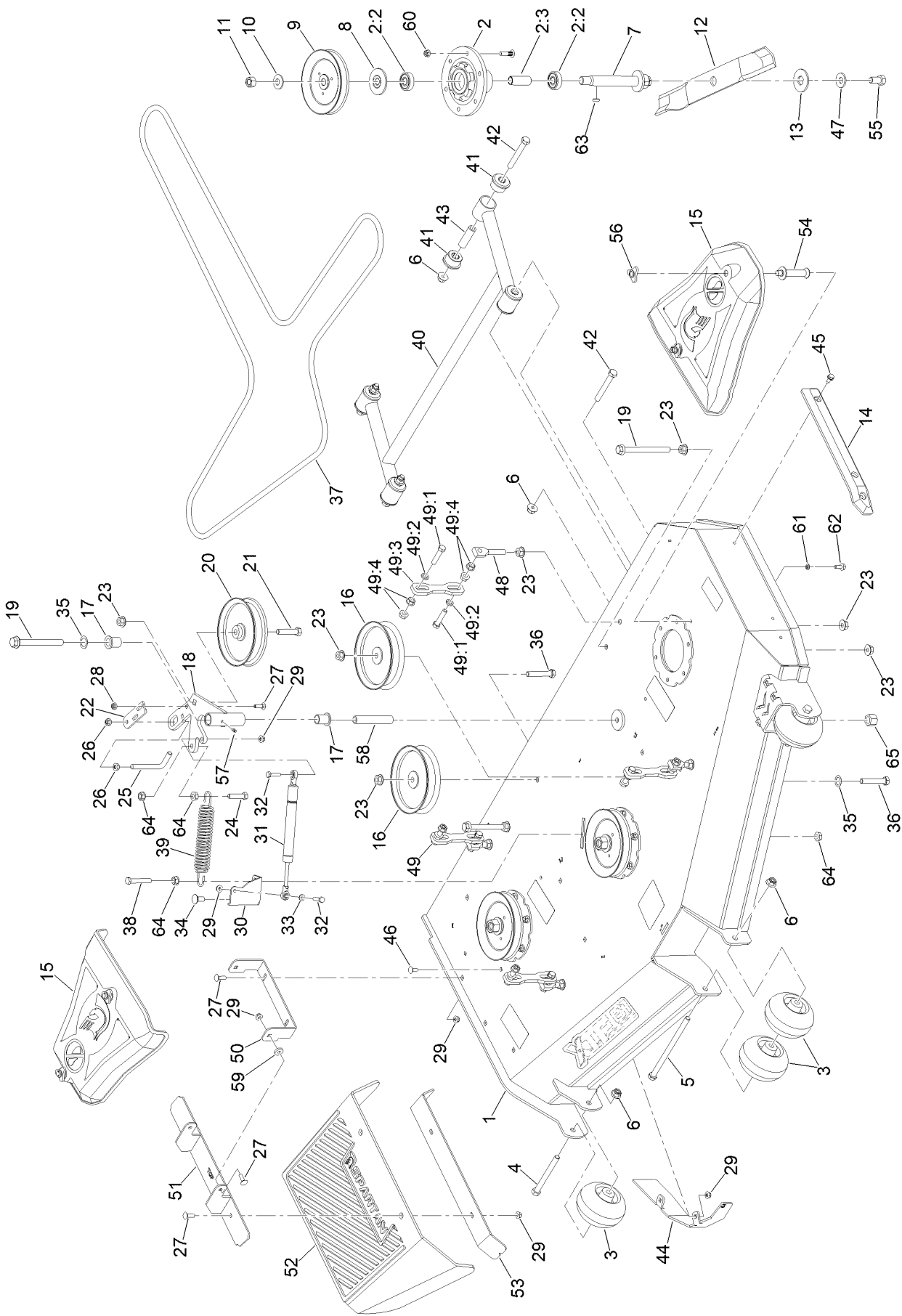
Engine Assembly



Engine Assembly (continued)

<i>Ref.</i>	<i>Part Number</i>	<i>Qty.</i>	<i>Description</i>	<i>Ref.</i>	<i>Part Number</i>	<i>Qty.</i>	<i>Description</i>
1	415-0084-00	1	Fxt100V (1000 Carbureted) Engn	22	3253-6	1	Washer-Lock
2	323-50	4	Bolt-HH	23	418-0022-00	1	7/16-20 X 3 Hex C/S GR 8 Zc Yellow
3	148-0222	1	Muffler W/ Arrester-6Inod-1.5Intp	24	324-7	1	Screw-HH
4	104-2612	4	Nut-HF	25	32128-37	2	Nut-HF
5	439-0244-00-05	1	Mwr Pump Idler Tensioning Brkt Black	26	434-0007-00	1	Mwr Deck Spring
6	439-0132-00-05	1	Mwr Clutch Antirotation Brkt Black	27	425-0006-00	1	Mwr Inner Idler Spacer
7	410-0007-00	2	3/4In ID X15/16In OD X 1-1/8In Flng Bush	28	424-0002-00	1	1/4In Drive Type Grease Fitting Yz
8	490-0018-00-05	1	Mwr Pump Idler Assy Black	29	112-2844	1	Nut-HF
9	418-0009-00	1	1/2-13 X 5-1/2 Hex Flange Bolt GR 8 Zy	30	451-0002-00RT08	1	Mwr Fuel Tank Blk 3/16 Vent Tube
10	418-0008-00	2	Bolt-CARR	31	751-1014-00	14	1/4In SAE J30R7 Bulk Hose 1Ft
11	413-0002-00	2	Nut-Lock	32	3290-379	3	Tie-Cable
12	433-0013-00	1	5-3/4In Idler Pulley 7/16In Spacer Assy	33	472-0004-00	2	1/2In (#8) Hose Clamp
13	325-9	1	Screw-HH	34	418-0062-00	2	5/16-18 X 1-1/4 Carriage Bolt Zc/Yel
14	32128-49	2	Nut-HHF	35	418-0278-00	5	M8-1.25 X 20MM Hex Flange Bolt Zinc 10.9
15	413-0022-00	6	Nut-HF	36	418-0280-00	1	5/16-18 X 3/8 Socket Set Screw
16	430-0001-00	1	Mwr Pump Idler Spring Tensioner	37	110-3145	2	Nut-Lock
17	433-0001-00	1	Mwr Hydraulic Pump Drive Pulley (A Belt)	38	418-0055-00	2	10-24 X 1/2 Socket C/S 18-8 SS
18	1-807259	1	Key	39	464-0002-00	1	Mwr Choke Cable Assm
19	470-0002-00	1	Warner PTO Clutch	40	564-0004-00	1	Envy/Fx1000 Throttle Cable
20	437-0025-00	1	Mwr Clutch Rotation Stop Brkt Sleeve	41	120-9551	2	Screw-HWH
21	461-0004-00	1	Mwr Pump Belt Rt A X 68.25In Eff Lngth	42	472-0009-00	3	3/4 Epdm Cushion Clamp
				43	148-1495	1	Zip Tie-Hose, Clamp
				44	115-1166	4	Washer-Plain

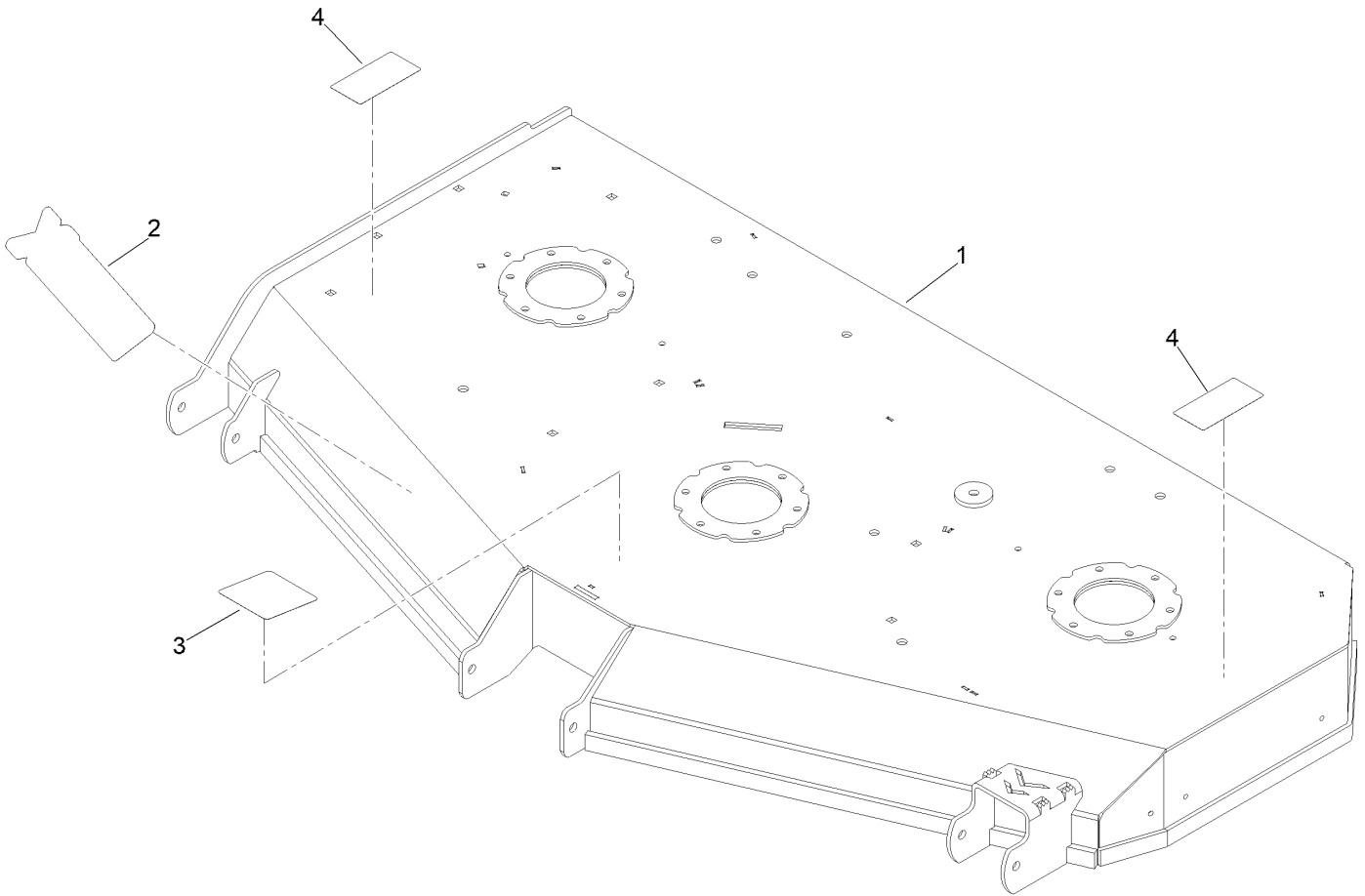
61 Inch Cutting Deck Assembly



61 Inch Cutting Deck Assembly (continued)

<i>Ref.</i>	<i>Part Number</i>	<i>Qty.</i>	<i>Description</i>	<i>Ref.</i>	<i>Part Number</i>	<i>Qty.</i>	<i>Description</i>
1	148-0787	1	ASM-Deck W/Decals	36	418-0246-00	2	1/2-13 X 2-3/4 Hex Flange Bolt (GR.8) Yz
2	148-0005	3	Spindle ASM 6" Deck	37	461-0002-00	1	61 Deck Belt
2:2	116-0720	2	Bearing-Ball	38	418-0013-00	1	Bolt-HH
2:3	148-0026	1	Spacer, Bearing	39	434-0007-00	1	Mwr Deck Spring
3	422-0061-00	4	Mwr Anti-Scalp Whl W/O Grease Fitting	40	490-0014-00-P11	1	54In/61In Deck Frame Stabilizer Painted
4	418-0016-00	2	Screw-HH	41	732-2000-00	8	Red A80 Susp Bushing
5	418-0015-00	1	1/2-13 X 8-1/2 Hex C/S GR 2 Zinc Yellow	42	418-0021-00	4	1/2-13 X 3-3/4 Hex C/S (GR.5) Zc/Yel
6	413-0002-00	7	Nut-Lock	43	732-2001-00	4	UTV A-Arm Bushing Sleeve
7	148-0106	3	Shaft - Spindle	44	148-0208-05	1	Baffle-Wiper 61 Painted Black
8	116-1286	3	Guard,Bearing Top .989	45	9264964	3	Screw-HWH, Thread Cut
9	148-0030	3	Pulley	46	418-0008-00	2	Bolt-CARR
10	148-0113	3	M20 Spring Washer (44.5Mmod/ 3.3MM THK)	47	148-0114	3	M16 Spring Washer (39Mmod/ 3.9MM THK)
11	148-0111	3	M20X1.5 C8.8 Hex Nut	48	448-0001-00	4	Mwr Deck Height Adjustment Stud
12	148-0099	3	Blade-Rotary	49	435-0007-KT	4	Mwr Deck Susp Link Assy
13	148-0108	3	Washer-Hex	49:1	435-0007-00-P11	1	Mwr Deck Susp Link Paint
14	429-0001-00	1	Mwr Nylon Deck Guard	49:2	324-8	2	Screw-HH
15	148-0093	2	Cover-Belt	49:3	419-0010-00	2	.443 ID X .749 OD X .125 THK Nylon Black
16	433-0015-00	2	6-3/4In Idler Pulley 15/16In Spacer Assy	49:4	32128-37	4	Nut-HF
17	410-0007-00	2	3/4In ID X15/16In OD X 1-1/8In Flng Bush	50	439-0111-00-P11	1	Mwr Chute Mtg Brkt Painted
18	490-0019-00-P11	1	Mwr Deck Idler Pulley Arm Assy Paint	51	490-0056-00-P11	1	Rt/Srt Deck Chute Hinge Assy Paint
19	418-0009-00	3	1/2-13 X 5-1/2 Hex Flange Bolt GR 8 Zy	52	481-0011-00	1	2020 Rt/Srt Rubber Discharge Chute
20	433-0014-00	1	6-3/4In Idler Pulley 7/16In Spacer ASM	53	439-0190-00-P11	1	2020 Deck Chute Hinge Backer Brkt Paint
21	325-9	1	Screw-HH	54	148-0094	4	Pin-Belt Cover
22	439-0257-00-P11	1	Deck Idler Pulley Belt Retnr Brkt Paint	55	148-0109	3	M16X1.5-30MM C10.9 Hex Bolt
23	32128-49	15	Nut-HHF	56	148-0234	4	Nut-Knob
24	324-7	1	Screw-HH	57	424-0002-00	1	1/4In Drive Type Grease Fitting Yz
25	148-1137	1	Bolt-L	58	425-0006-00	1	Mwr Inner Idler Spacer
26	413-0020-00	2	3/8-16 Hex Flange Nut W/Serr Zinc Yellow	59	419-0006-00	2	.312 ID X .875OD X .1875 THK F/W NYL
27	418-0060-00	8	5/16-18 X 1 Carriage Bolt GR 8 Yz	60	413-0029-00	18	Nut-Hex
28	413-0022-00	2	Nut-HF	61	3253-4	4	Washer-Lock
29	413-0027-00	10	Nut-HF, NI	62	116-7230	4	Screw-HHF
30	439-0335-00-P11	1	Deck Belt Idler Damper Mtg Brkt Painted	63	148-0118	3	6MM X 6MM X 20MM Rounded Machine Key
31	434-0009-00	1	Idler Gas Spring	64	32128-37	5	Nut-HF
32	322-47	2	Screw-HH	65	3296-23	1	Nut-Lock, NI
33	413-0016-00	1	.312Idx.625Odx.062 THK Thrust Brg Oi Brz				
34	3232-1	1	Screw-CARR				
35	418-0110-00	1	.767Idx1.125Odx.016 THK Trip Wv Washer				

Deck Decal Assembly No. 148-0787

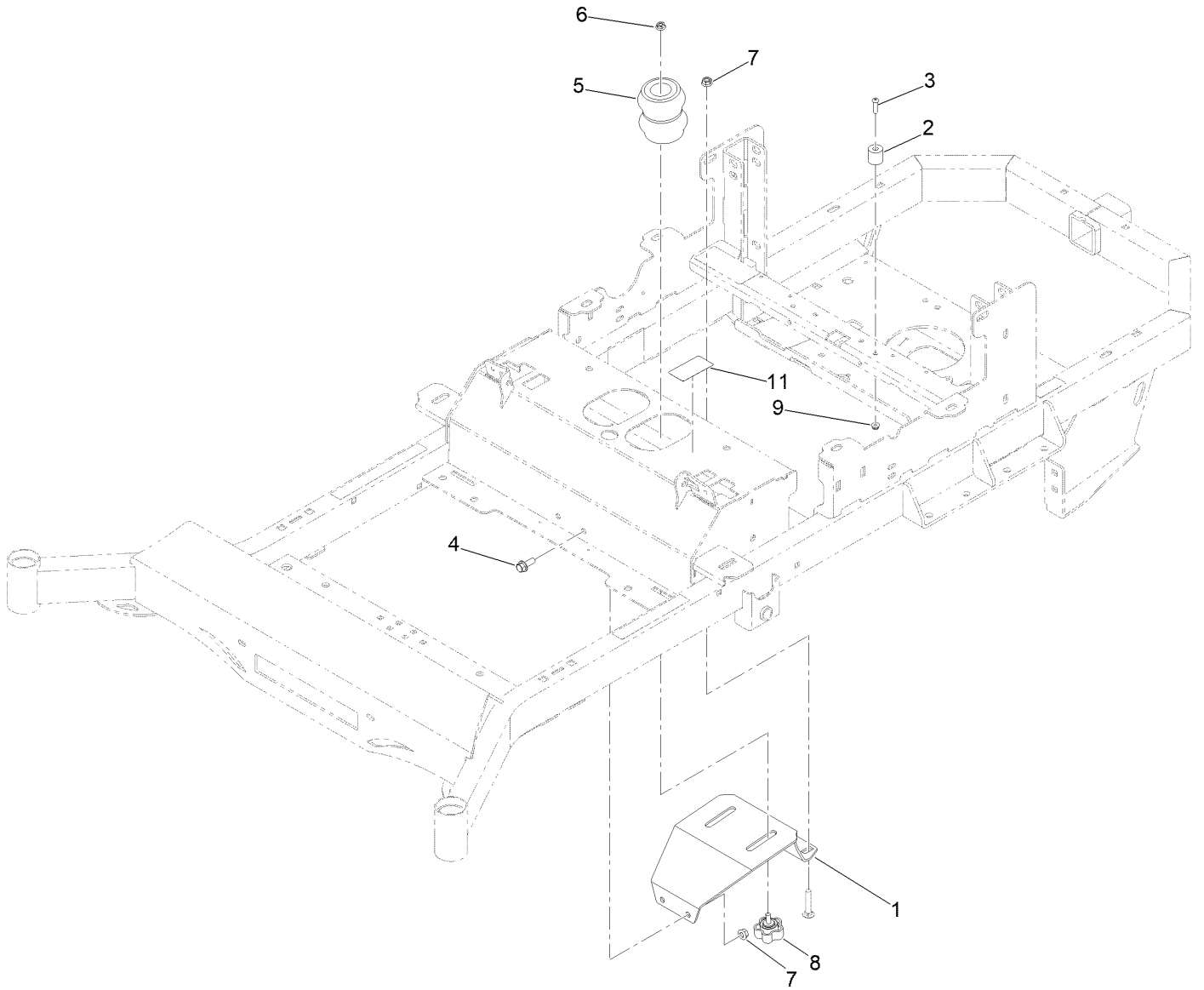


Deck Decal Assembly No. 148-0787 (continued)

<i>Ref.</i>	<i>Part Number</i>	<i>Qty.</i>	<i>Description</i>	<i>Ref.</i>	<i>Part Number</i>	<i>Qty.</i>	<i>Description</i>
1		1	Deck ASM-61 Painted ●	3	148-1479	1	Decal-Belt Routing
2	148-0848	1	Decal-Deck, 61-Xft	4	161-6620	2	Decal-Danger, Deck

● Not serviced separately

Seat Suspension Assembly



Seat Suspension Assembly (continued)

<i>Ref.</i>	<i>Part Number</i>	<i>Qty.</i>	<i>Description</i>	<i>Ref.</i>	<i>Part Number</i>	<i>Qty.</i>	<i>Description</i>
1	490-0021-00-05	1	Mwr Seat Susp Brkt Black	7	413-0020-00	2	3/8-16 Hex Flange Nut W/Serr Zinc Yellow
2	729-1000-00	2	Hood Rest Rubber Bumper	8	445-0006-00	2	5/16-18X3/4 SI 5-Lobe Male Knob 1.90 DIA
3	418-0039-00	2	1/4-20 X 1 Button Socket C/S 18-8 SS	9	104-7201	2	Nut-HF, NI
4	131-2220	2	Screw-HHF	11	148-0857	1	Decal-Weight, Seat
5	487-0003-00	2	Srt Rr Susp And Seat Ft Elastomer Tcb-3				
6	413-0024-00	2	5/16-18 Hex Serrated Lg Flange L/Nut Zc				

Notes:

Notes:

