



Defender 60in Mower

Model No. SZDE1K60730KR—Serial No. 420800000 and Up

Parts Catalog



Ordering Replacement Parts

To order replacement parts, please supply the part number, the quantity, and the description of each part desired.

Understanding Reference Numbers

Each identified part in an illustration has a reference number. The reference number for a part also appears in the parts list, along with other information about the part.

This catalog uses two special reference number formats, one to indicate parts in a service assembly and another to indicate the quantity of a given part in an illustration.

Service Assembly Reference Numbers

Parts in service assemblies have reference numbers in the form a:b. The a represents the reference number of the entire service assembly and the b represents a sequential number unique to each part within the service assembly.

For example, a wheel assembly might be identified by reference number 6, the tire by 6:1, the valve by 6:2, and the wheel by 6:3. When you order the assembly identified by reference number 6, you receive all parts identified by reference numbers 6:1, 6:2, and 6:3. However, you may also order any part individually. Reference numbers of this type appear in illustration and in parts lists.

Reference Numbers Indicating Quantity

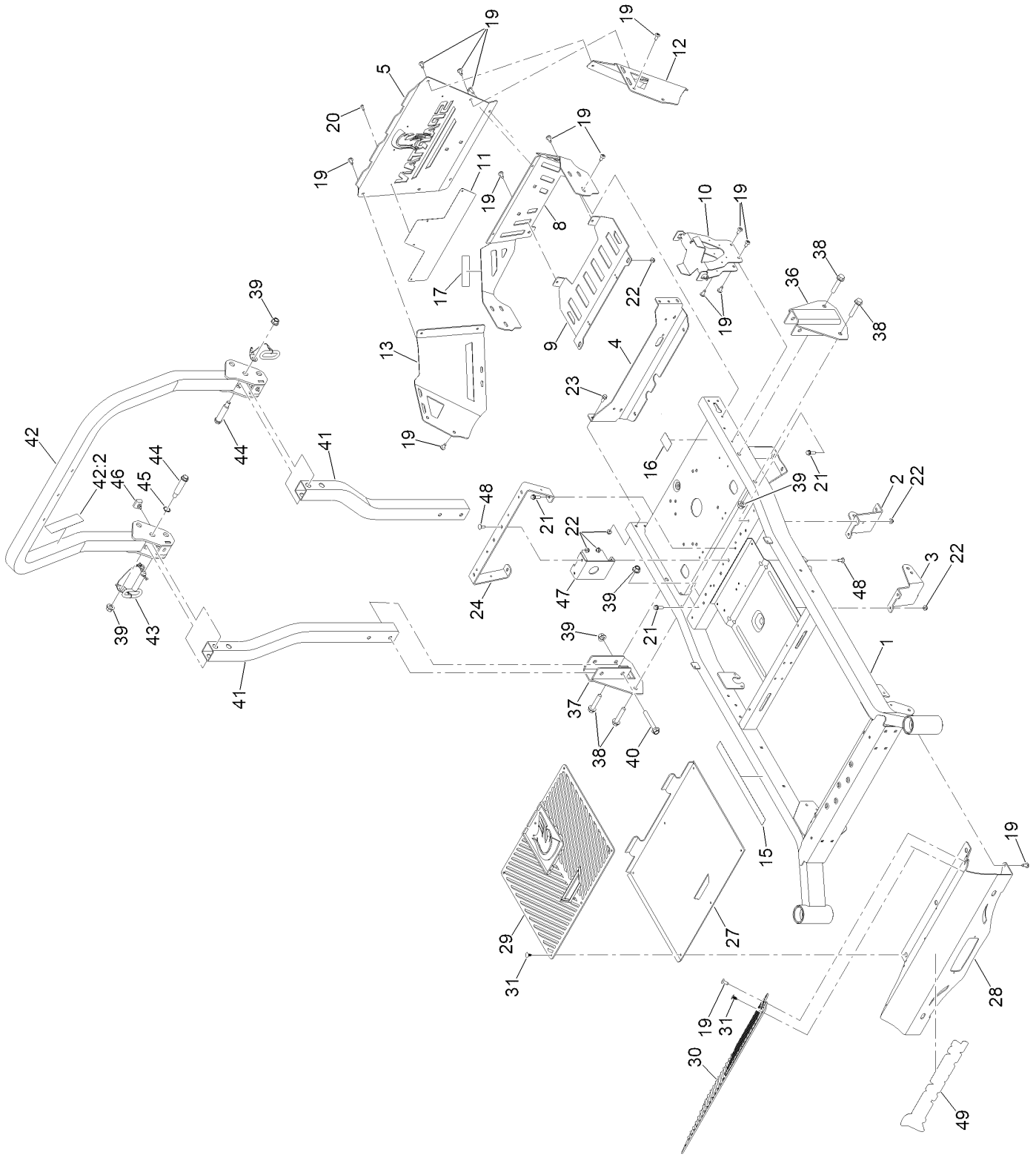
In an illustration, if a reference number indicates more than one part, the reference number has the form nX y. The n represents the quantity of the part, the X is the multiplication symbol, and the y represents the reference number.

For example, in an illustration, the reference number 2X 37 means that two of the parts identified by reference number 37 are indicated.

Contents

Frame Assembly	4
Fuel Delivery and Body Styling Assembly	6
Fuel Tank Assembly No. 161-6588	8
LH Upper Pod W/Decal Assembly No. 148-0284	10
RH Upper Pod W/Decal Assembly No. 148-0280	12
Decklift Assembly	14
Caster Wheel Assembly	16
Wheel Assembly No. 139-7532	18
Hydraulic Drive Assembly	20
Parking Brake Assembly	22
Rear Wheel Assembly	24
Seat Pan Assembly	26
Motion Control Assembly	28
Engine and Muffler Assembly	30
Electrical Assembly	32
60 Inch Cutting Deck Assembly	34
Deck Decal Assembly No. 161-6451	36
Clutch Assembly	38
Attachments and Accessories	40

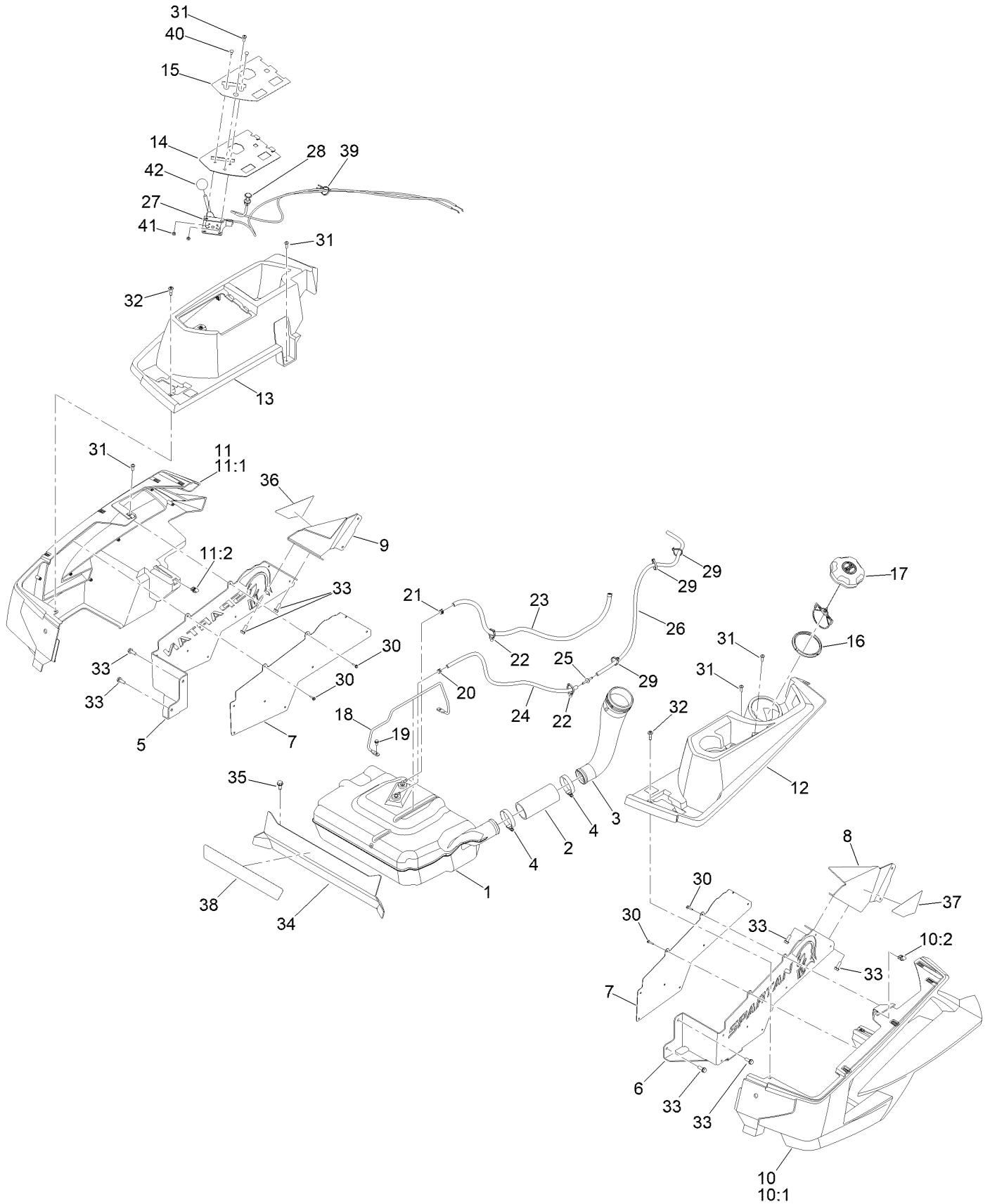
Frame Assembly



Frame Assembly (continued)

<i>Ref.</i>	<i>Part Number</i>	<i>Qty.</i>	<i>Description</i>	<i>Ref.</i>	<i>Part Number</i>	<i>Qty.</i>	<i>Description</i>
1	161-6457	1	Frame ASM	28	161-9723-P11	1	Plate-Front
2	161-6506-P11	1	Mount-Drive, LH	29	148-0017	1	Floor Mat
3	161-6507-P11	1	Mount-Drive, RH	30	148-0081	1	Floormat
4	163-3137-P11	1	Plate-Mount, Rear	31	117-2382	12	Plug-Plastic
5	148-1083-P11	1	Guard-Engine, Defender	36	147-3036-05	1	Bracket-ROPS, LH
8	148-1122-P11	1	Guard-Muffler, Top	37	147-3037-05	1	Bracket-ROPS, RH
9	148-1123-P11	1	Guard-Muffler, Bottom	38	127-7444	4	Screw-HHF
10	161-6314-P11	1	Tray-Battery	39	139-1689	10	Nut-HF
11	148-1224	1	Plate-Back	40	114-8419	4	Screw-HHF
12	148-0008-P11	1	Cowling-Rear, LH	41	147-3032-05	2	Tube-ROPS, Lower
13	148-0009-P11	1	Cowling-Rear, RH	42	163-3149	1	Tube-ROPS Upper ASM
15	144-5288	1	Decal-Warning	42:2	107-3069	1	Decal-Warning
16	161-6207	1	Decal-Bypass	43	161-4477	2	ROPS Pin ASM
17	142-5864	1	Decal-Spark Arrester	44	161-4505	2	Bolt-Shoulder
19	138-9753	26	Screw	45	119-4164	2	Washer-Wave
20	130-8451	4	Rivet-Trifold	46	109-5337	2	Bumper-ROPS
21	139-2596	6	Screw-HHF	47	161-9738	1	Bracket-Latch, Frame (Mty/Btv)
22	119-4041	16	Nut-HF	48	137-3061	4	Bolt-CARR
23	139-2598	4	Screw-HHF	49	148-0801	1	Decal-Spartan, Front
24	161-6318-P11	1	Support-Seat				
27	161-6285-P11	1	Pan-Floor				

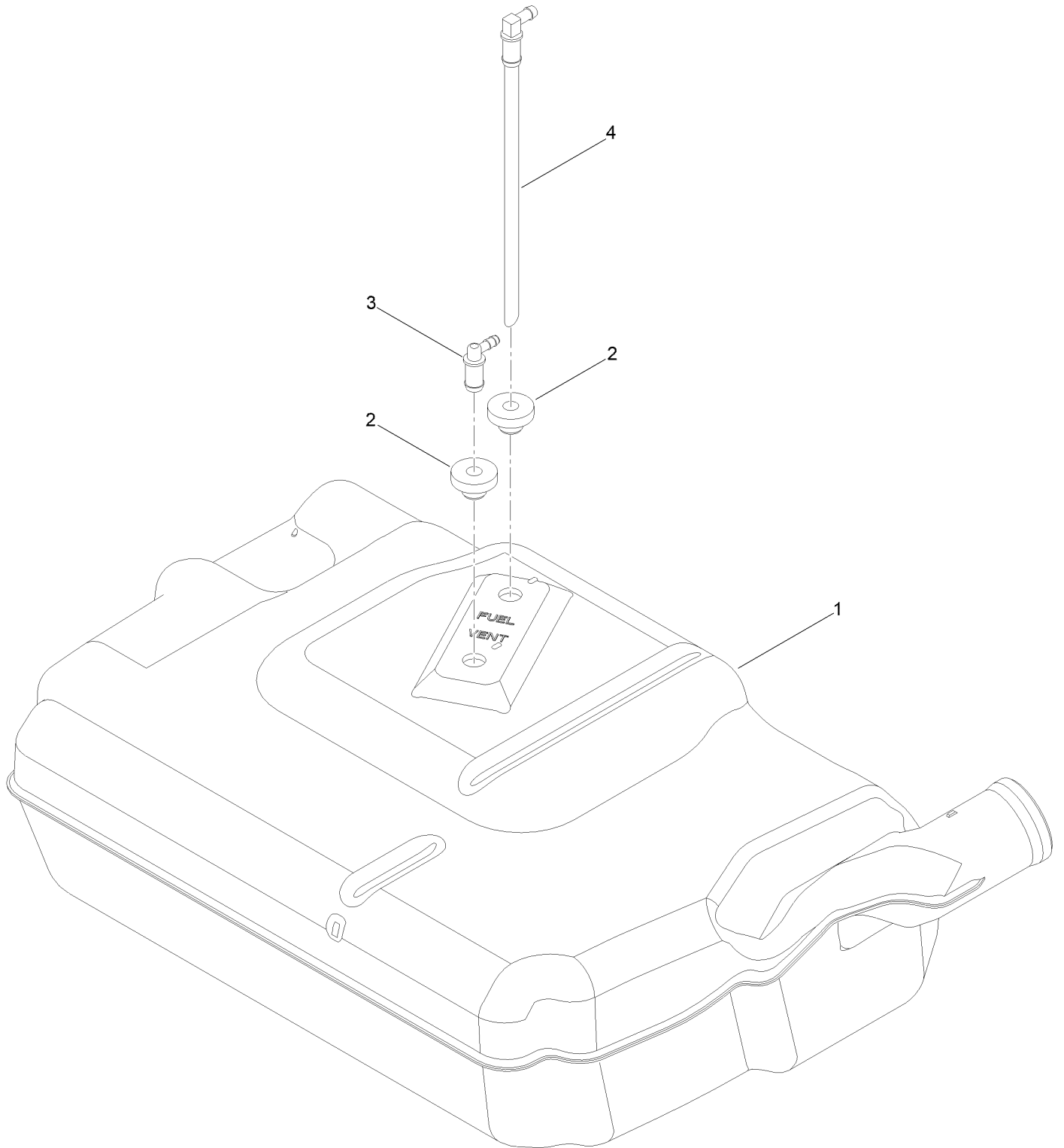
Fuel Delivery and Body Styling Assembly



Fuel Delivery and Body Styling Assembly (continued)

<i>Ref.</i>	<i>Part Number</i>	<i>Qty.</i>	<i>Description</i>	<i>Ref.</i>	<i>Part Number</i>	<i>Qty.</i>	<i>Description</i>
1	161-6588	1	Fuel Tank ASM	20	2412-80	1	Clamp-Hose
2	161-6421	1	Hose-Filler, Fuel	21	2412-98	2	Clamp-Hose
3	147-2852	1	Neck-Filler, Fuel	22	32180-030	2	Clip-Tie
4	2412-130	2	Clamp-Hose	23	109-0275	1	Hose-Fuel
5	148-0316-P11	1	Bracket-Mount, RH Pod	24	121-0780	1	Hose-Fuel
6	148-0317-P11	1	Bracket-Mount, LH Pod	25	144-1983	1	Adapter Orifice
7	148-1219	2	Plate-Back	26	108-6344	1	Hose-Fuel
8	148-0320-P11	1	Bracket-Mount, LH Pod	27	139-6734	1	Cable-Control, Throttle
9	148-0319-P11	1	Bracket-Mount, RH Pod	28	147-2902	1	Cable-Choke
10	148-0286	1	LH Lower Pod ASM	29	614249	3	Tie-Cable
10:1	148-0287	1	Pod - Lower LH	30	137-3110	18	Screw-Plastite, HWH
10:2	107069	2	Clip	31	138-0689	5	Screw-PH
11	148-0282	1	RH Lower Pod ASM	32	148-0104	2	Screw-Torx
11:1	148-0283	1	Pod - Lower RH	33	32144-41	8	Screw-Taptite
11:2	107069	2	Clip	34	161-9744-P11	1	Plate-Kick
12	148-0284	1	LH Upper Pod W/Decal ASM	35	32144-70	2	Screw-HWHTF
13	148-0280	1	RH Upper Pod W/Decal ASM	36	148-0453	1	Decal-Defender, RH
14	163-5955-P11	1	Plate-Control Panel	37	148-0452	1	Decal-Defender, LH
15	163-5958	1	Decal-Control Panel	38	148-0431	1	Decal-Defender, Front
16	147-7712	1	Ring-Retaining	39	32180-082	1	Clip-Edge W/Tie, Perpendicular
17	163-5914	1	Cap Fuel, Ratcheting	40	135-1929	2	Bolt-CARR
18	147-5176	1	Rod-Hold Down	41	3296-2	2	Nut-Lock, NI
19	32144-4	2	Screw-HWH	42	1-603175	1	Knob-Ball

Fuel Tank Assembly No. 161-6588

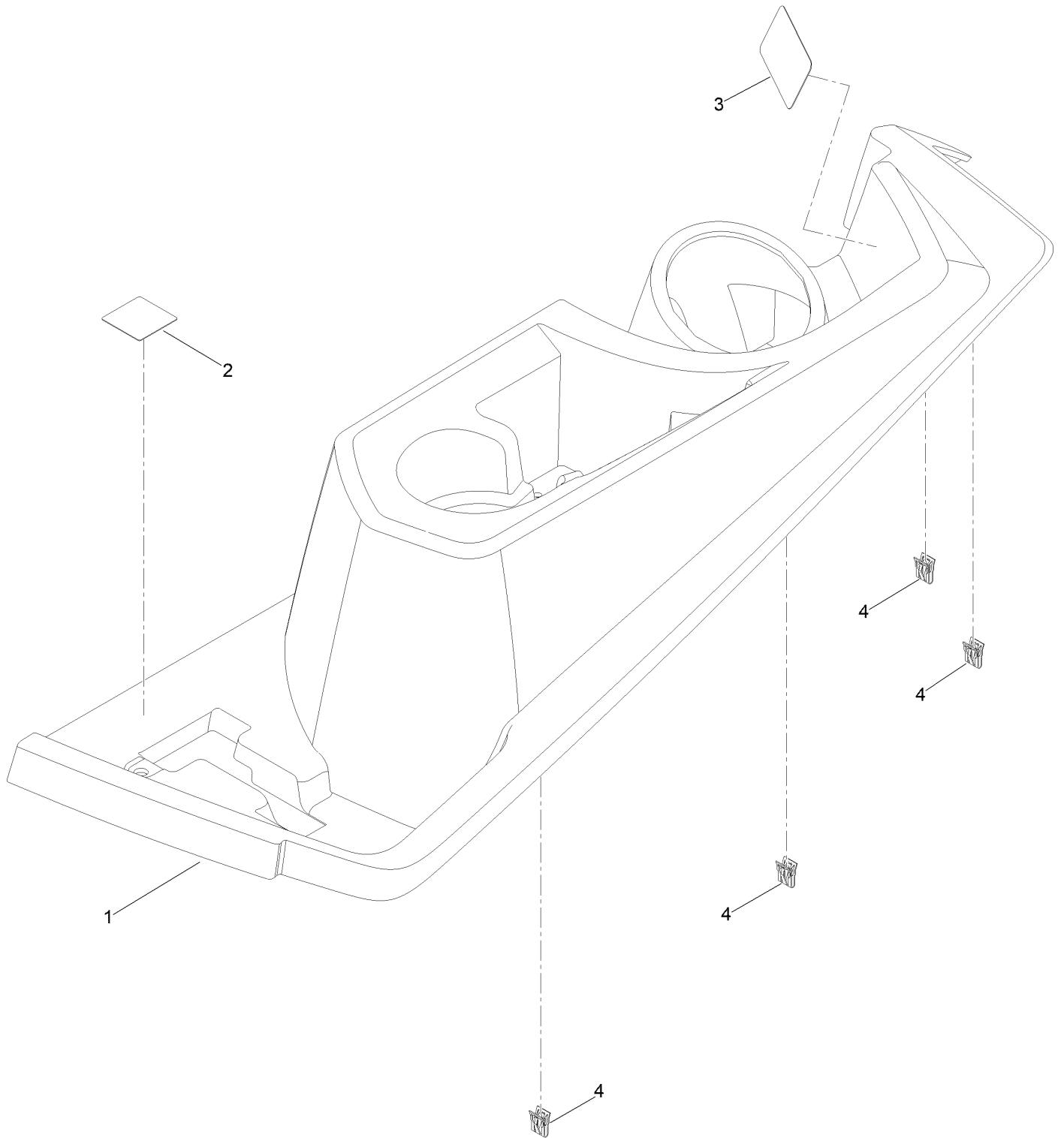


Fuel Tank Assembly No. 161-6588 (continued)

<i>Ref.</i>	<i>Part Number</i>	<i>Qty.</i>	<i>Description</i>	<i>Ref.</i>	<i>Part Number</i>	<i>Qty.</i>	<i>Description</i>
1		1	Tank-Fuel ●	3	161-6609	1	Fitting-Elbow 90
2	46-6560	2	Bushing	4	147-2934	1	Fitting-Pickup, Fuel

● Not serviced separately

LH Upper Pod W/Decal Assembly No. 148-0284

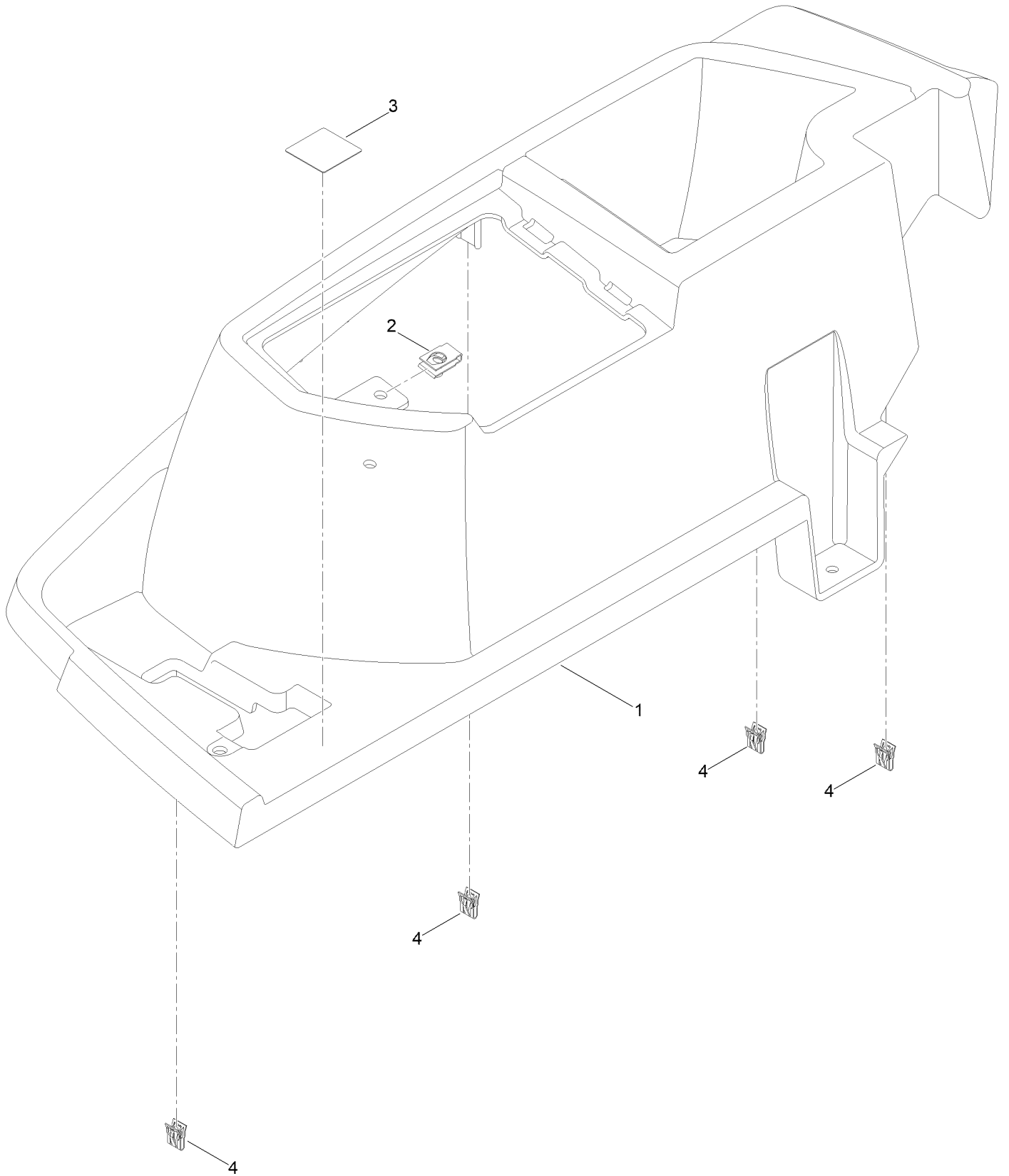


LH Upper Pod W/Decal Assembly No. 148-0284 (continued)

<i>Ref.</i>	<i>Part Number</i>	<i>Qty.</i>	<i>Description</i>	<i>Ref.</i>	<i>Part Number</i>	<i>Qty.</i>	<i>Description</i>
1		1	Pod-Upper, LH ●	3	148-0433	1	Decal-Fuel Fill
2	148-0315	1	Decal-Control, LH	4	148-0423	4	Clip

● Not serviced separately

RH Upper Pod W/Decal Assembly No. 148-0280



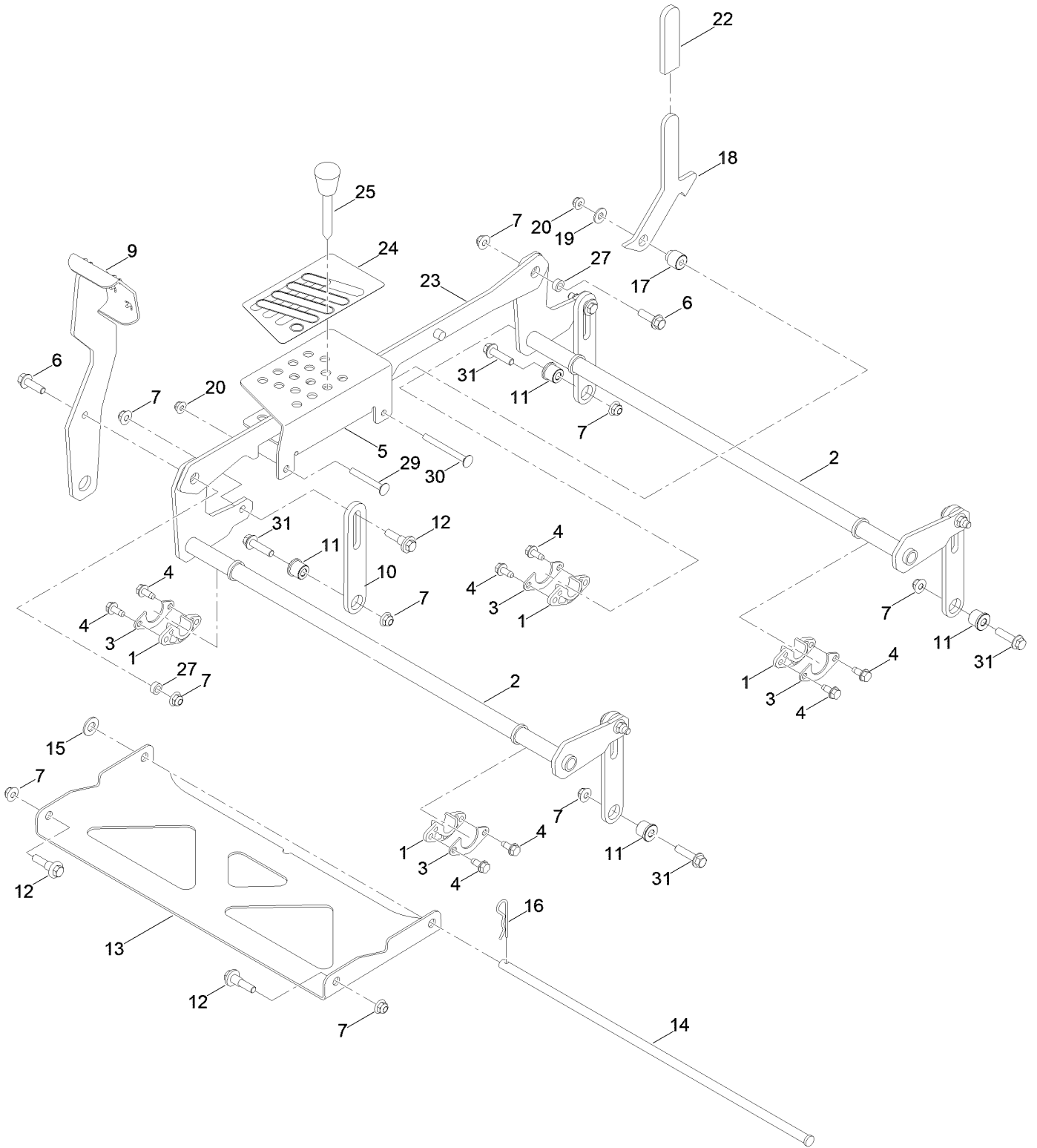
RH Upper Pod W/Decal Assembly No. 148-0280 (continued)

<i>Ref.</i>	<i>Part Number</i>	<i>Qty.</i>	<i>Description</i>
1		1	Pod-Upper, RH ●
2	107069	1	Clip

<i>Ref.</i>	<i>Part Number</i>	<i>Qty.</i>	<i>Description</i>
3	148-0314	1	Decal-Control, RH
4	148-0423	4	Clip

● Not serviced separately

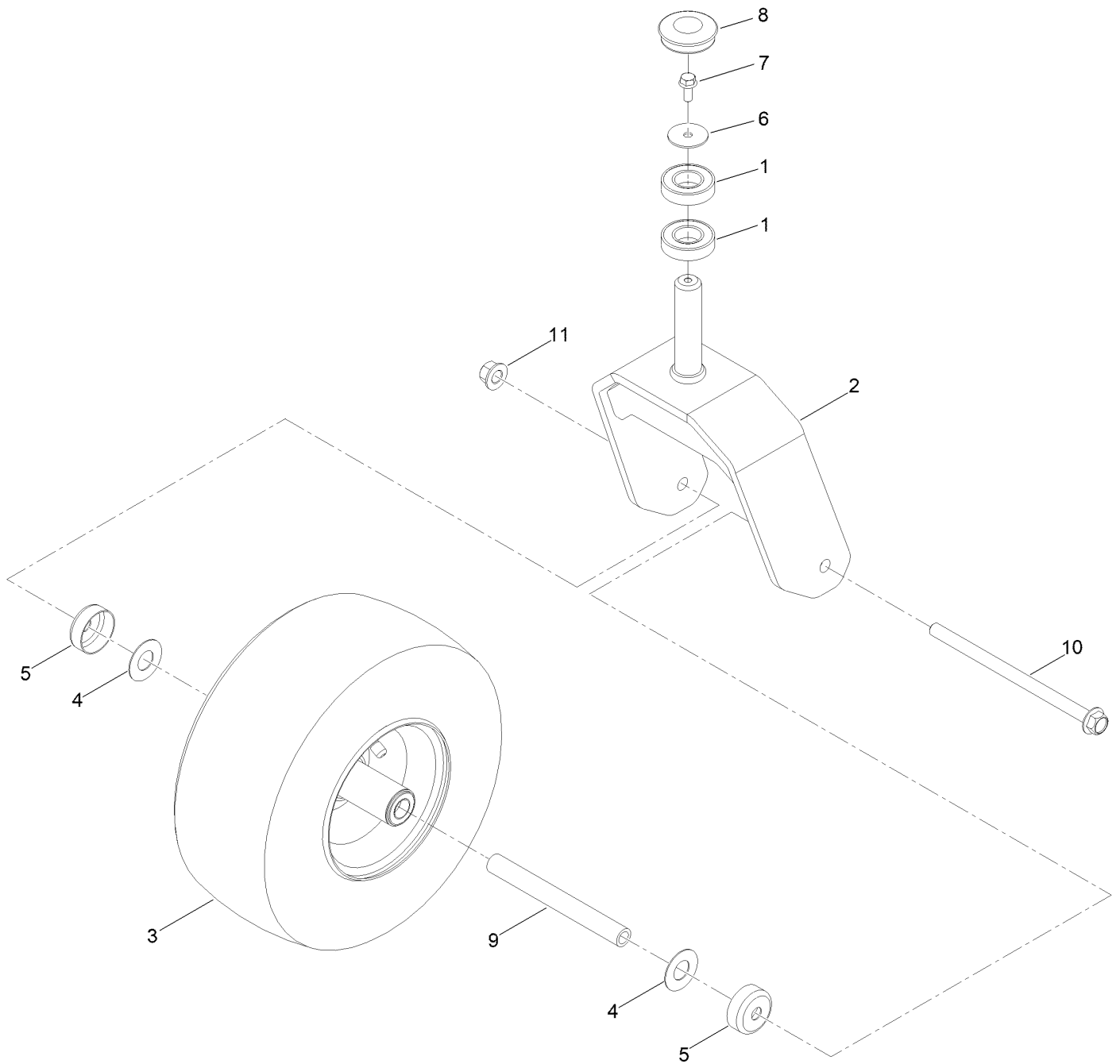
Decklift Assembly



Decklift Assembly (continued)

<i>Ref.</i>	<i>Part Number</i>	<i>Qty.</i>	<i>Description</i>	<i>Ref.</i>	<i>Part Number</i>	<i>Qty.</i>	<i>Description</i>
1	139-5872	4	Bearing-Flange	16	139-2562	1	Pin-Hair
2	161-4632-P11	2	Pivot	17	145-6282	1	Spacer-Stepped
3	138-7204	4	Gusset-Deck Lift	18	145-6279	1	Plate-Transport Lock
4	32144-70	8	Screw-HWHTF	19	137-3082	1	Washer-Plain
5	145-6260-P11	1	Bracket-HOC	20	119-4041	2	Nut-HF
6	119-4061	2	Screw-HHF	22	140-0413	1	Grip-Handle
7	119-4042	12	Nut-HF, NI	23	145-6262-P11	1	Link-HOC
9	145-6278-P11	1	Pedal	24	148-0432	1	Decal-HOC
10	163-2370-P11	4	Link-HOC (Mty)	25	140-2146	1	HOC Pin ASM
11	161-9819	4	Bushing-Deck Lift	27	140-2093	2	Spacer
12	130-0742	6	Bolt-Shoulder	29	3230-7	1	Bolt-CARR
13	145-6248-P11	1	Pan-Deck Pivot	30	3230-13	1	Screw-CARR
14	145-6288	1	Pin-Deck	31	139-2553	4	Screw-HHF
15	139-2611	1	Washer-Flat				

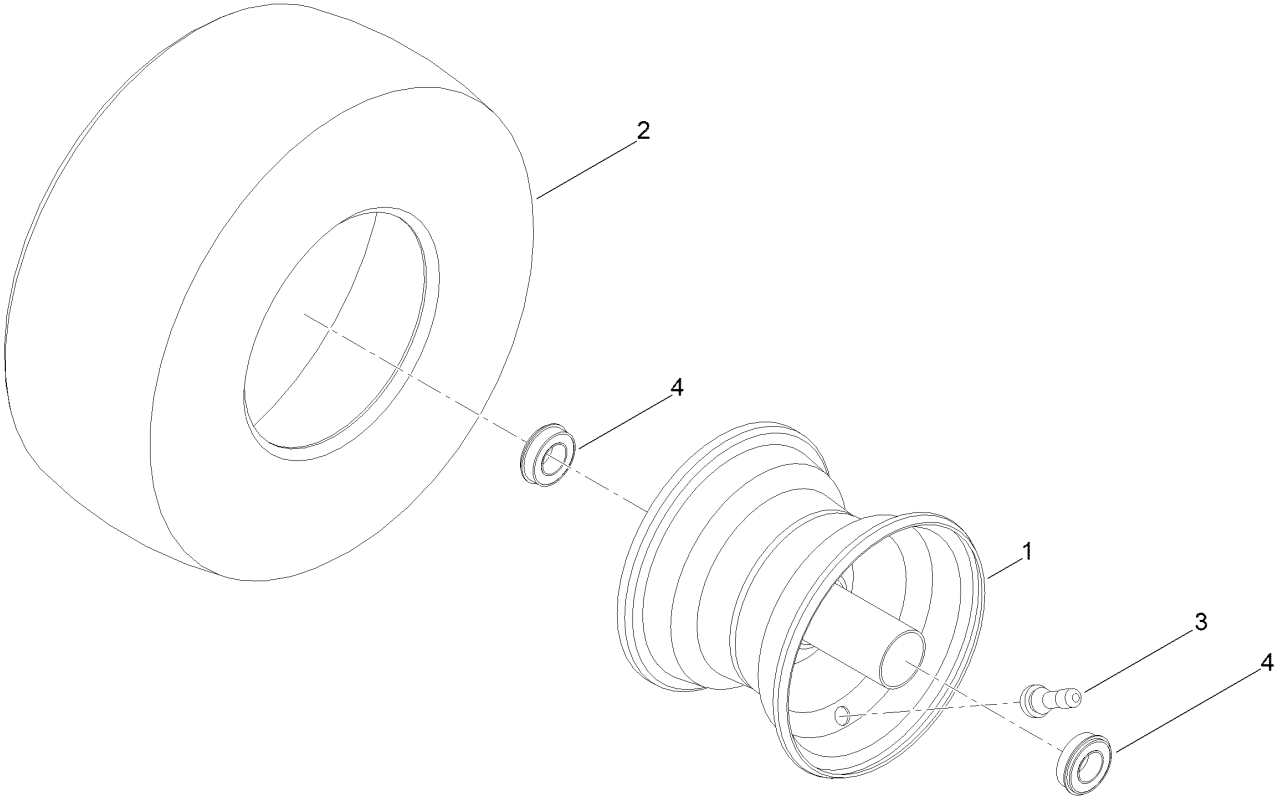
Caster Wheel Assembly



Caster Wheel Assembly (continued)

<i>Ref.</i>	<i>Part Number</i>	<i>Qty.</i>	<i>Description</i>	<i>Ref.</i>	<i>Part Number</i>	<i>Qty.</i>	<i>Description</i>
1	109-3678	4	Bearing-Ball	7	100-1668	2	Screw-HHF
2	145-6375-P11	2	Castor Fork [gray]	8	144-0375	2	Cap-Grease
3	139-7532	2	Tire And Wheel ASM	9	133-4487	2	Spanner-Wheel
4	136-5590	4	Washer	10	139-2559	2	Screw-HHF
5	138-7208	4	Guard-Seal	11	139-1689	2	Nut-HF
6	115-1151	2	Washer-Flat				

Wheel Assembly No. 139-7532

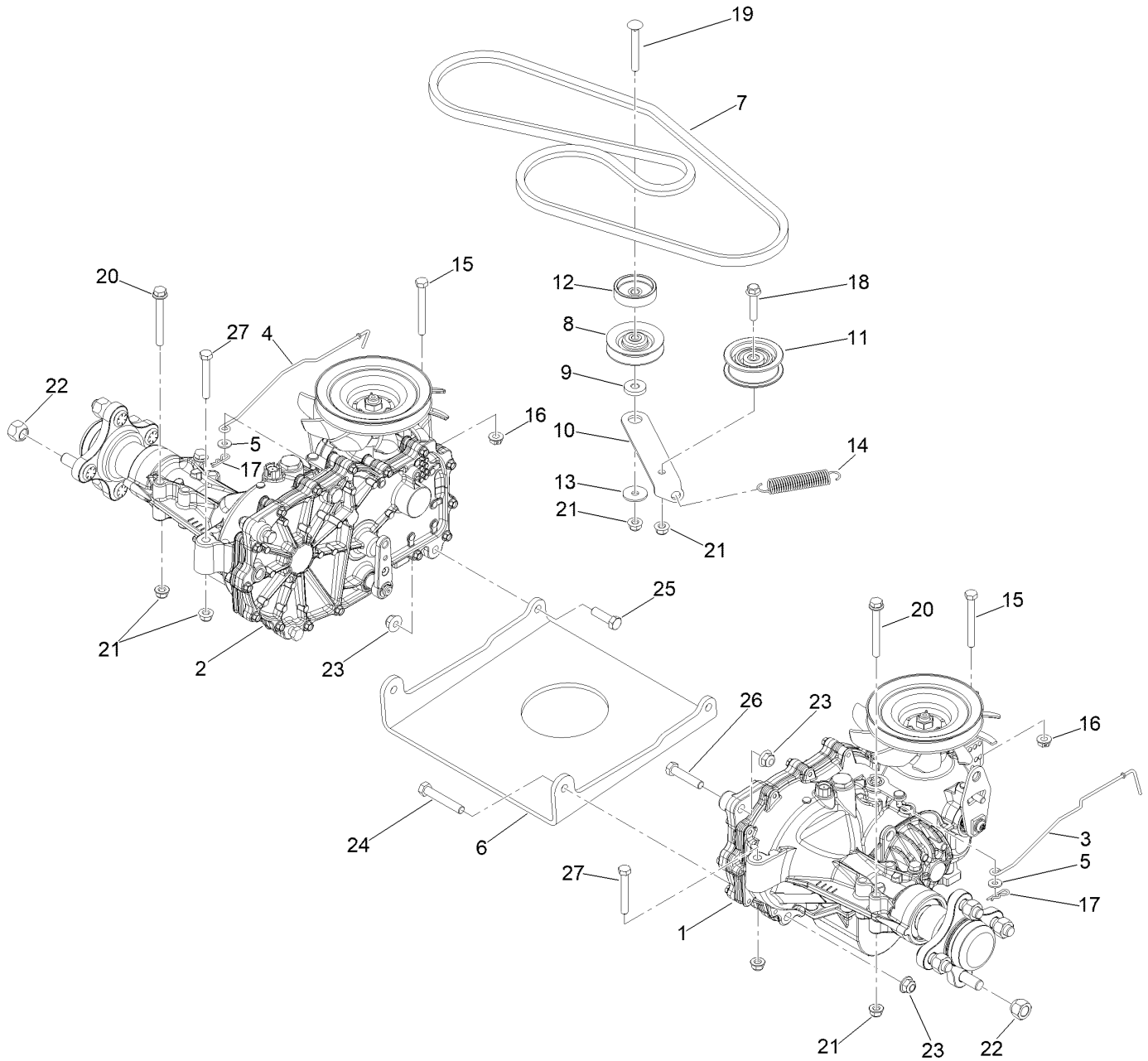


Wheel Assembly No. 139-7532 (continued)

<i>Ref.</i>	<i>Part Number</i>	<i>Qty.</i>	<i>Description</i>
1	139-7533	1	Rim-6 Inch
2	126-5959	1	Tire

<i>Ref.</i>	<i>Part Number</i>	<i>Qty.</i>	<i>Description</i>
3	232-27	1	Stem-Valve
4	136-4190	2	Bearing

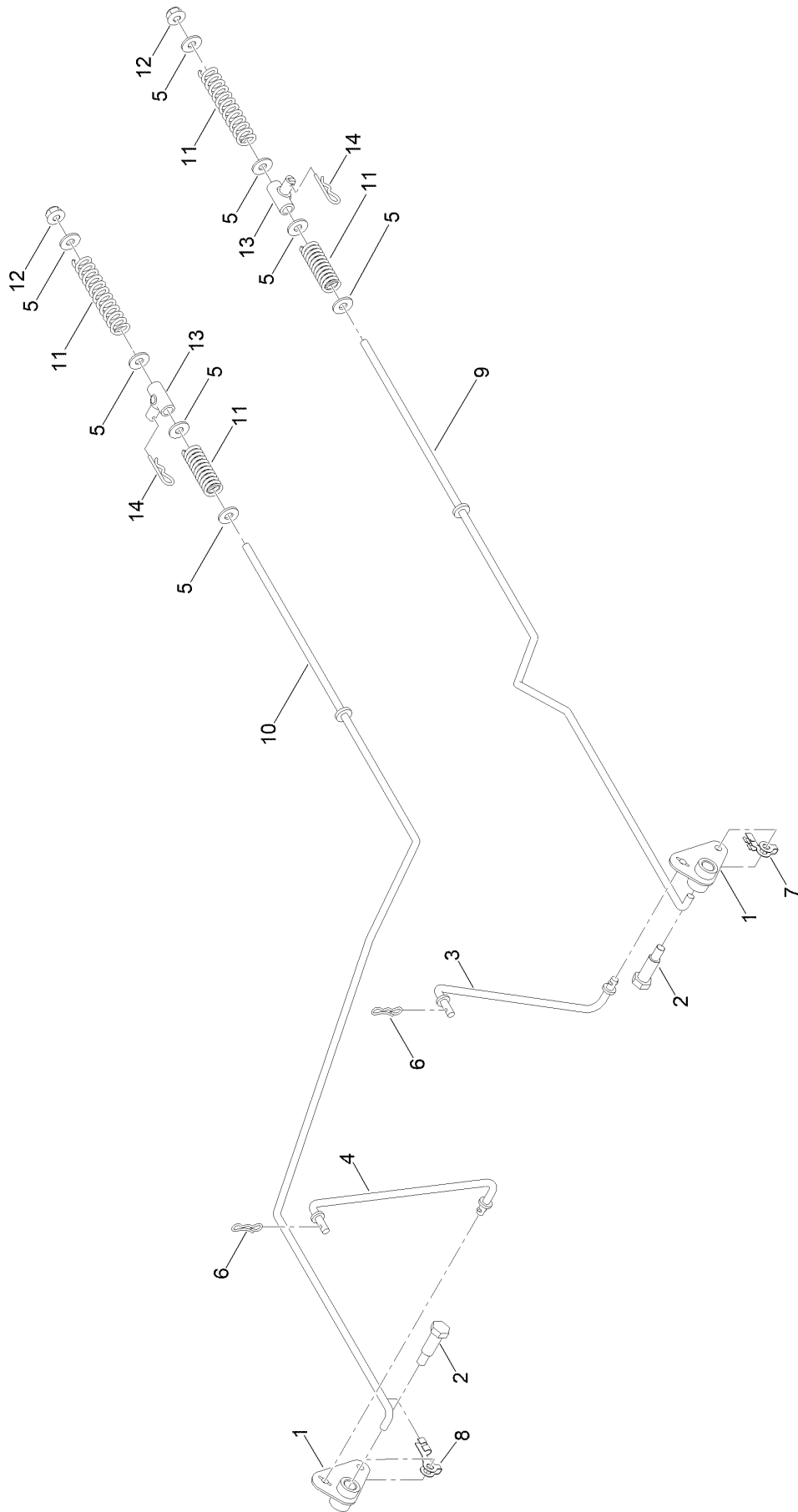
Hydraulic Drive Assembly



Hydraulic Drive Assembly (continued)

<i>Ref.</i>	<i>Part Number</i>	<i>Qty.</i>	<i>Description</i>	<i>Ref.</i>	<i>Part Number</i>	<i>Qty.</i>	<i>Description</i>
1	147-2860	1	LH Hydro Transmission ASM	14	137-7040	1	Spring-Return, Pedal
2	147-2861	1	RH Hydro Transmission ASM	15	145-6388	2	Screw-HH Spcl
3	147-2987	1	Rod-Bypass, LH	16	139-2574	2	Nut-HF
4	147-2986	1	Rod-Bypass, RH	17	3290-307	2	Pin-Cotter
5	119-8952	2	Washer-Spcl	18	115-1794	1	Screw-HHF
6	161-9754-P11	1	Plate-Hydro	19	3230-8	1	Screw-CARR
7	145-6363	1	V-Belt (A Sec 66.30 EI)	20	138-7590	4	Screw-HHF
8	68-0030	1	Idler	21	119-4041	8	Nut-HF
9	138-7277	1	Spacer-Arm, Idler	22	139-2564	8	Nut-Lug
10	147-2925	1	Arm-Idler	23	119-4042	6	Nut-HF, NI
11	138-7597	1	Pulley-Idler, Flat	24	323-11	2	Screw-HH
12	138-9809	1	Spacer	25	323-7	2	Screw-HH
13	5-4460	1	Washer-Pivot	26	323-9	2	Screw-HH
				27	322-11	2	Screw-HH

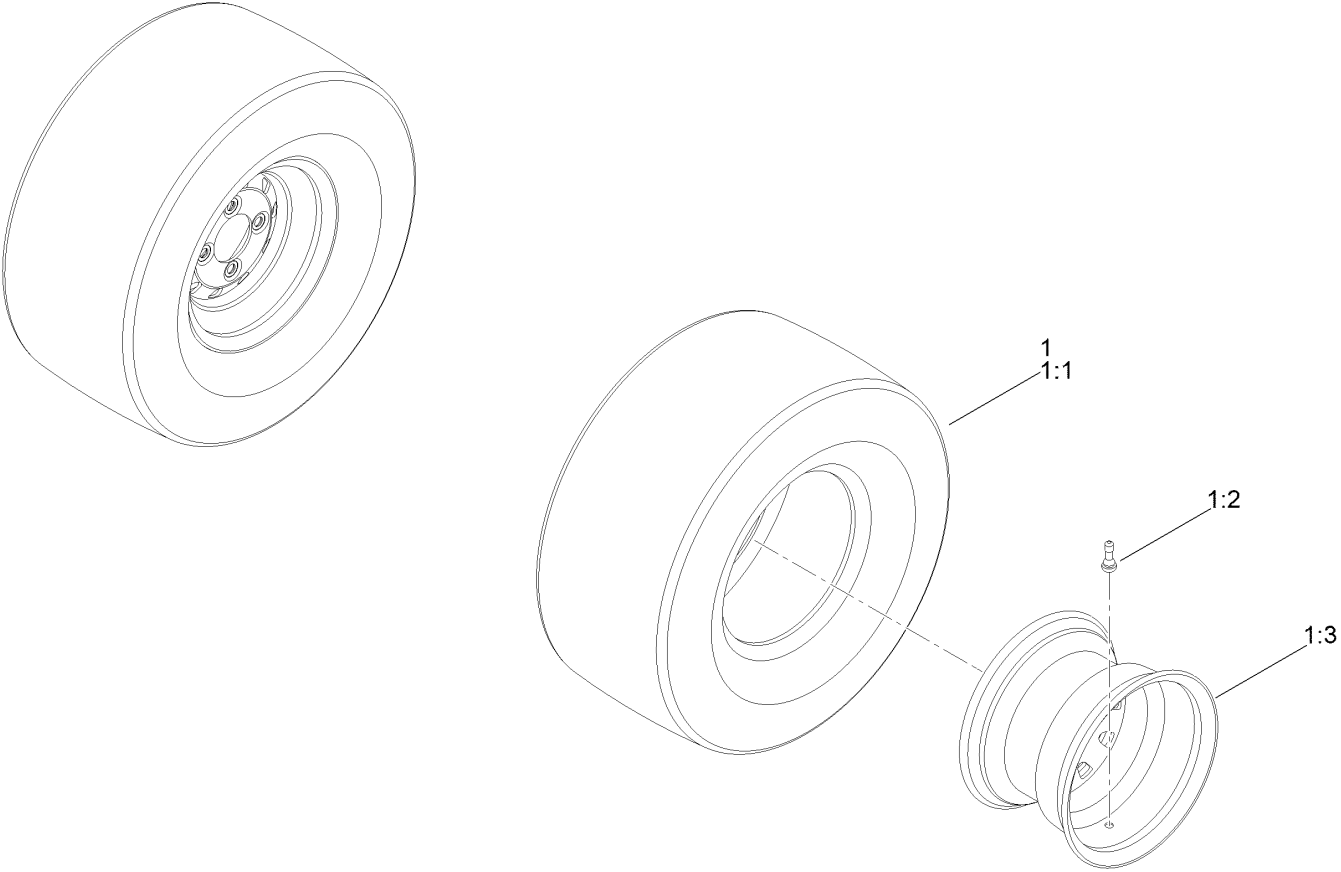
Parking Brake Assembly



Parking Brake Assembly (continued)

<i>Ref.</i>	<i>Part Number</i>	<i>Qty.</i>	<i>Description</i>	<i>Ref.</i>	<i>Part Number</i>	<i>Qty.</i>	<i>Description</i>
1	161-6420	2	Bellcrank	8	144-1815	1	Clip-Rod, RH (7R, 1/4In)
2	145-6364	2	Bolt-Shoulder	9	145-0408	1	Rod-Brake LH
3	145-4607	1	Link-Brake, LH	10	145-0407	1	Rod-Brake, RH
4	145-6238	1	Link-Brake, RH	11	138-7252	4	Spring-Compression
5	119-8952	8	Washer-Spcl	12	119-4040	2	Nut-HF, NI
6	119-1414	2	Pin-Cotter, Locking	13	161-6635	2	Mount-Pivot
7	144-1816	1	Clip-Rod, LH (7L, 1/4In)	14	137-3083	2	Pin-Hair

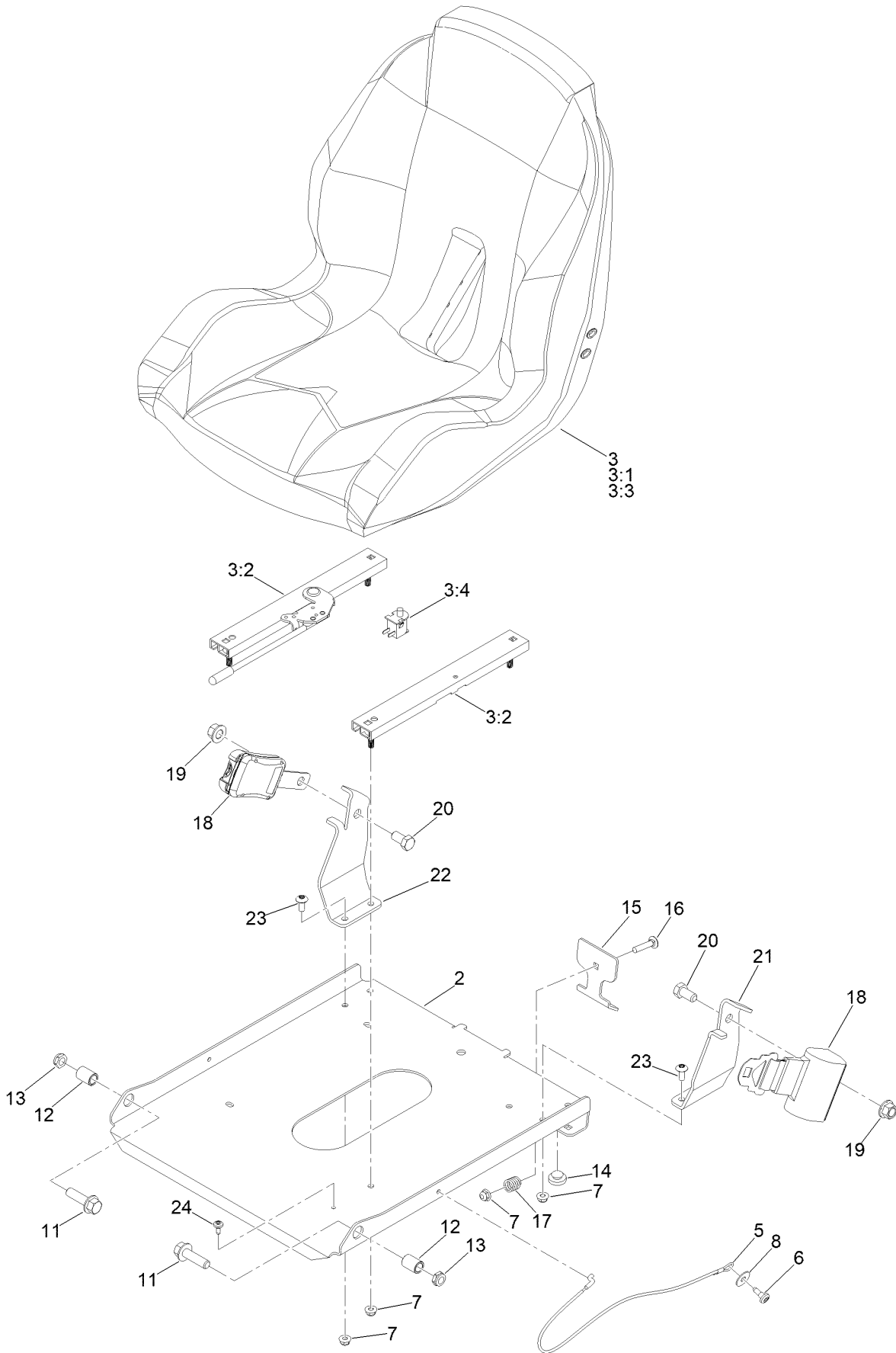
Rear Wheel Assembly



Rear Wheel Assembly (continued)

<i>Ref.</i>	<i>Part Number</i>	<i>Qty.</i>	<i>Description</i>	<i>Ref.</i>	<i>Part Number</i>	<i>Qty.</i>	<i>Description</i>
1	148-0892	2	Tire ASM	1:2	422-0050-00	1	Rim
1:1	422-0057-00	1	Tire	1:3	232-27	1	Stem-Valve

Seat Pan Assembly



Seat Pan Assembly (continued)

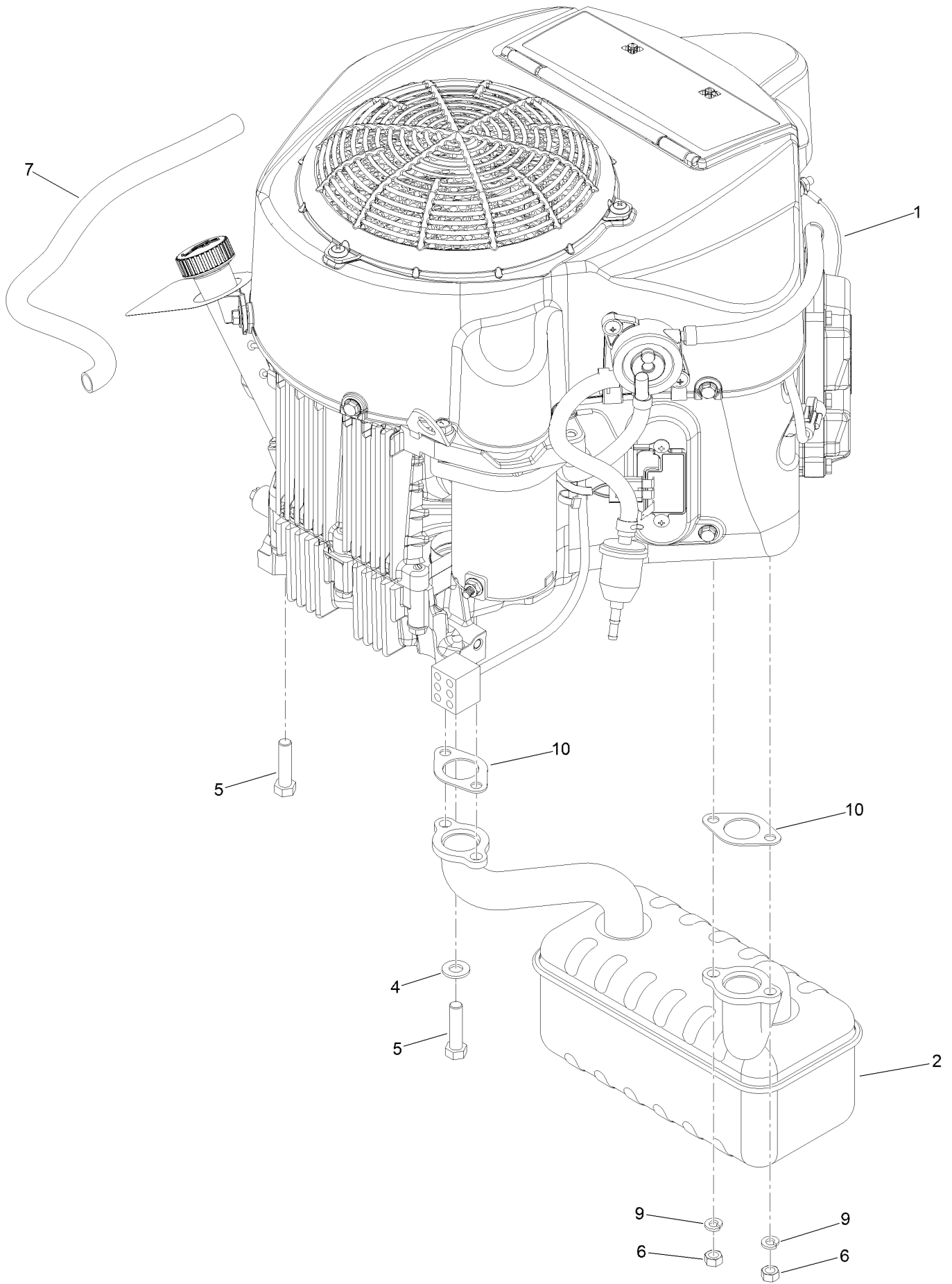
<i>Ref.</i>	<i>Part Number</i>	<i>Qty.</i>	<i>Description</i>	<i>Ref.</i>	<i>Part Number</i>	<i>Qty.</i>	<i>Description</i>
2	148-1295-P11	1	Pan-Seat, Lowered	13	3296-45	2	Nut-Hex
3	161-6447	1	Seat ASM - Sk130	14	135-0505	2	Bumper-Seat
3:1	148-1166	1	Seat-Defender	15	161-9732	1	Bracket-Latch, Seat
3:2	161-6448	1	Slide-ASM	16	3230-4	1	Screw-CARR
3:3	161-6449	1	Cover-Seat	17	107-3017	1	Spring-Compression
3:4	82-2190	1	Switch-Bail	18	109-9805	1	Seat Belt Kit
5	139-2398	1	Cable-Lanyard	19	139-1689	2	Nut-HF
6	135-2015	1	Screw-Shoulder	20	139-2628	2	Screw-HH
7	119-4041	9	Nut-HF	21	161-6616-P11	1	Bracket-Seatbelt, LH
8	147-5287	1	Washer-Flat	22	161-6617-P11	1	Bracket-Seatbelt, RH
11	130-6481	2	Screw-HHF	23	126-6268	4	Screw-TTH
12	161-9735	2	Bushing-Pivot, Seat	24	120-7950	1	Screw-Torx

Motion Control Assembly (continued)

<i>Ref.</i>	<i>Part Number</i>	<i>Qty.</i>	<i>Description</i>	<i>Ref.</i>	<i>Part Number</i>	<i>Qty.</i>	<i>Description</i>
1	163-5941-P11	1	Control Box - LH	18	138-7218	2	Mount-Rod, Hydro
2	163-5942-P11	1	Control Box - RH	20	161-6526	2	Control Handle ASM
3	163-3189	2	Adjustment Plate-Control Box	20:1		1	Handle-Control ●
4	145-6253	2	Spring-Torsion	20:1:2	147-3029	1	Grip
5	164-3311	2	Pivot Arm ASM	20:2	145-6366	1	Screw-Handle
5:2	163-3186	2	Bushing-Flange	20:3	137-3008	1	Screw-Handle
6	163-7396	4	Washer-Friction	20:4	147-5192-05	1	Disc-Adjustment Handle, 32 Teeth
7	147-5191-05	2	Arm-Control, 32 Teeth	20:5	138-8401	2	Nut-HF
8	142-8478	2	Spacer, Anti-Rotation	20:6	117-5976	1	Knob-Handle
9	119-8925	2	Washer-Belleville	24	112-3306	2	Nut
11	161-6514	2	Damper - Non Cavitating	25	126-4299	2	Screw-HSBH
12	115-5099	2	Bolt-Pivot	26	32144-70	4	Screw-HWHTF
13	161-9725	2	Rod-Hydro	27	133-9682	2	Screw-Hfh
14	120-7950	6	Screw-Torx	28	119-4042	4	Nut-HF, NI
15	322-11	4	Screw-HH	29	119-4041	8	Nut-HF
16	120-9683	2	Washer-Plain	30	163-2335	2	Spacer-Pivot
17	138-7252	2	Spring-Compression				

● Not serviced separately

Engine and Muffler Assembly



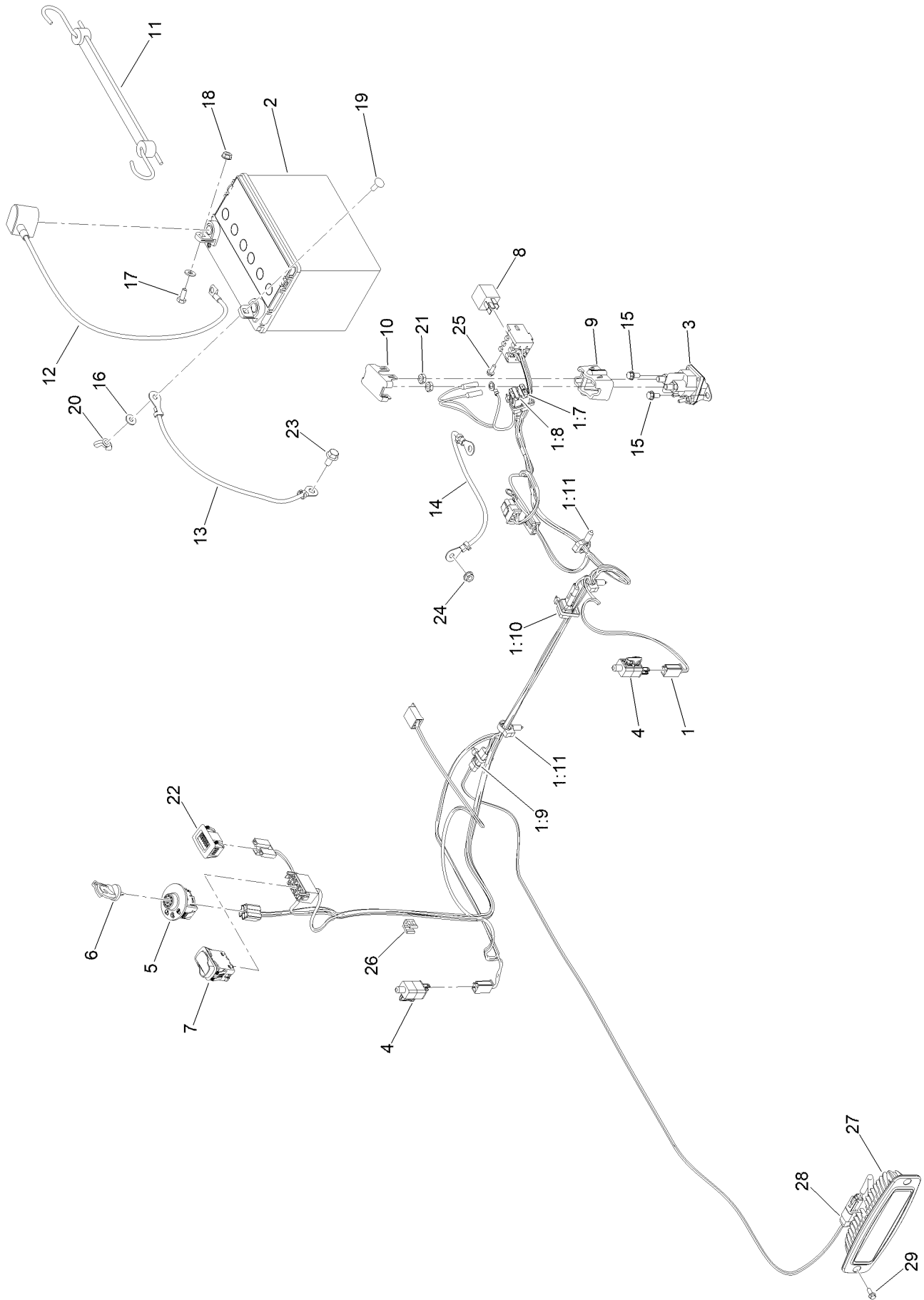
Engine and Muffler Assembly (continued)

<i>Ref.</i>	<i>Part Number</i>	<i>Qty.</i>	<i>Description</i>	<i>Ref.</i>	<i>Part Number</i>	<i>Qty.</i>	<i>Description</i>
1		1	Engine-Kawasaki, Fr730V-S09-R ●■	6	114-3549	4	Nut
2	139-5867	1	Muffler	7	106-7022	1	Tube-Drain, Oil
4	3256-24	3	Washer-Plain	9	114-3550	4	Washer-Lock
5	323-50	4	Bolt-HH	10	1-653313	2	Gasket-Exhaust

● Not serviced separately

■ Obtain parts from www.kawpower.com

Electrical Assembly



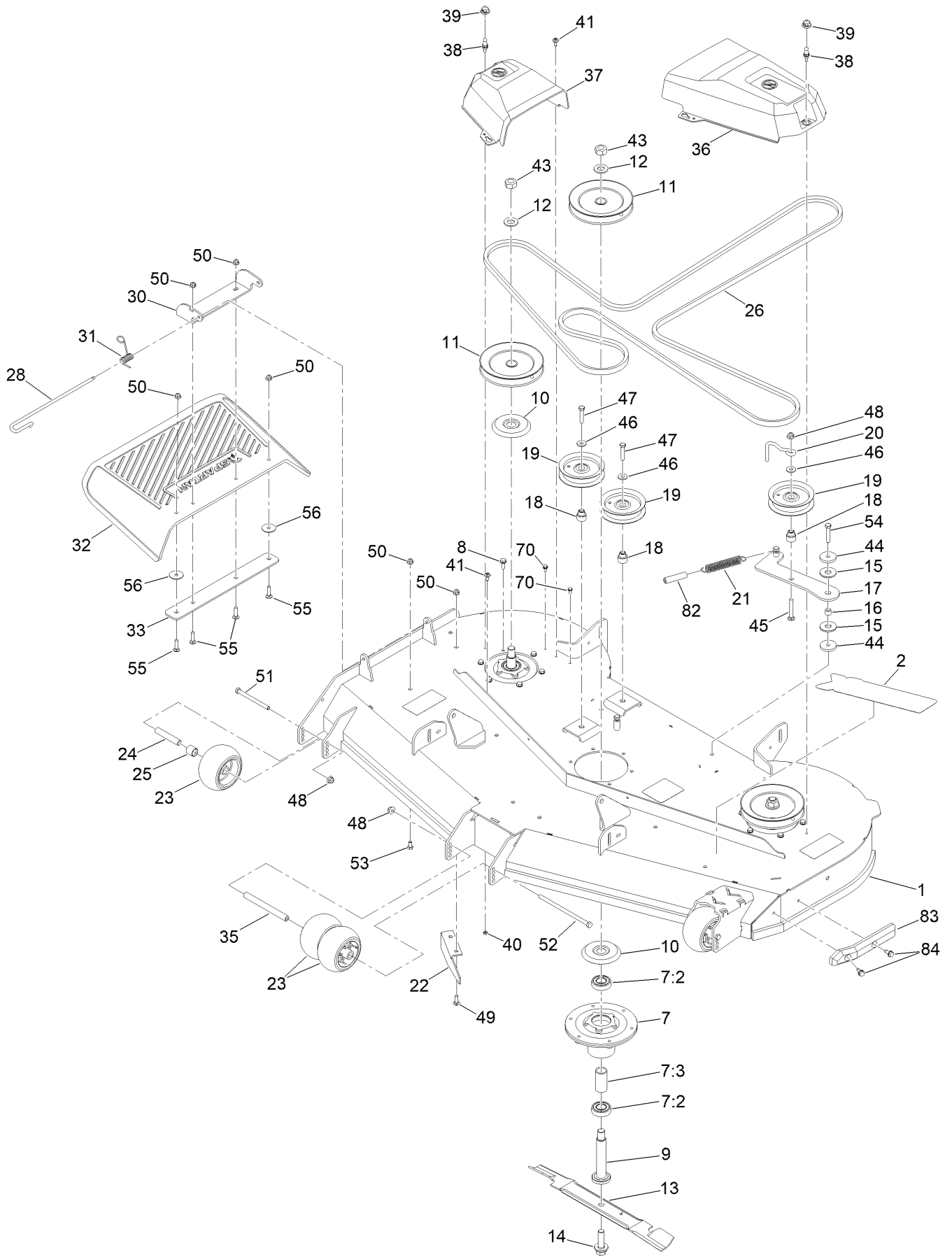
Electrical Assembly (continued)

<i>Ref.</i>	<i>Part Number</i>	<i>Qty.</i>	<i>Description</i>	<i>Ref.</i>	<i>Part Number</i>	<i>Qty.</i>	<i>Description</i>
1	145-6382	1	Harness-Wire, Main	13	119-8899	1	Cable-Battery, Black
1:7	109355	1	Fuse-Blade, 15 Amp	14	121-0711	1	Cable-Battery, Positive
1:8	109102	1	Fuse-Blade, 25 Amp	15	32144-4	2	Screw-HWH
1:9	32160-029	1	Connector-Molded, 1F,1M	16	119-8952	2	Washer-Spcl
1:10	100-4918	1	Diode	17	137-3041	1	Screw-HH
1:11	32180-047	3	Clip-Tubing, Harness	18	139-2575	1	Nut-HF
2		1	Battery- Wet, 12V, 300 CCA ●■	19	137-3053	1	Screw-CARR
3	117-1197	1	Solenoid	20	32103-22	1	Nut-Wing
4	110-6765	2	Switch	21	139-2580	2	Nut-HJ
5	137-4100	1	Switch-Ignition	22	139-6404	1	Hour Meter
6	148-0479	1	Key-Ignition	23	33104-016	1	Screw-HHF
7	139-6368	1	Switch-Rocker, On-None-On	24	32128-33	1	Nut-HF
8	1-643275	1	Relay	25	139-1713	1	Screw-Thd Roll
9	140-2080	1	Cover-Solenoid	26	32180-082	1	Clip-Edge W/Tie, Perpendicular
10	140-2081	1	Cap-Solenoid	27	139-8089	1	Light - Flush Mount
11	104-2466	1	Holddown-Battery	28	147-8832	1	Harness-Wire. LED Lights
12	147-2941	1	Cable-Battery,Red	29	104-2065	2	Screw-HWH

● Obtain locally.

■ Not serviced separately

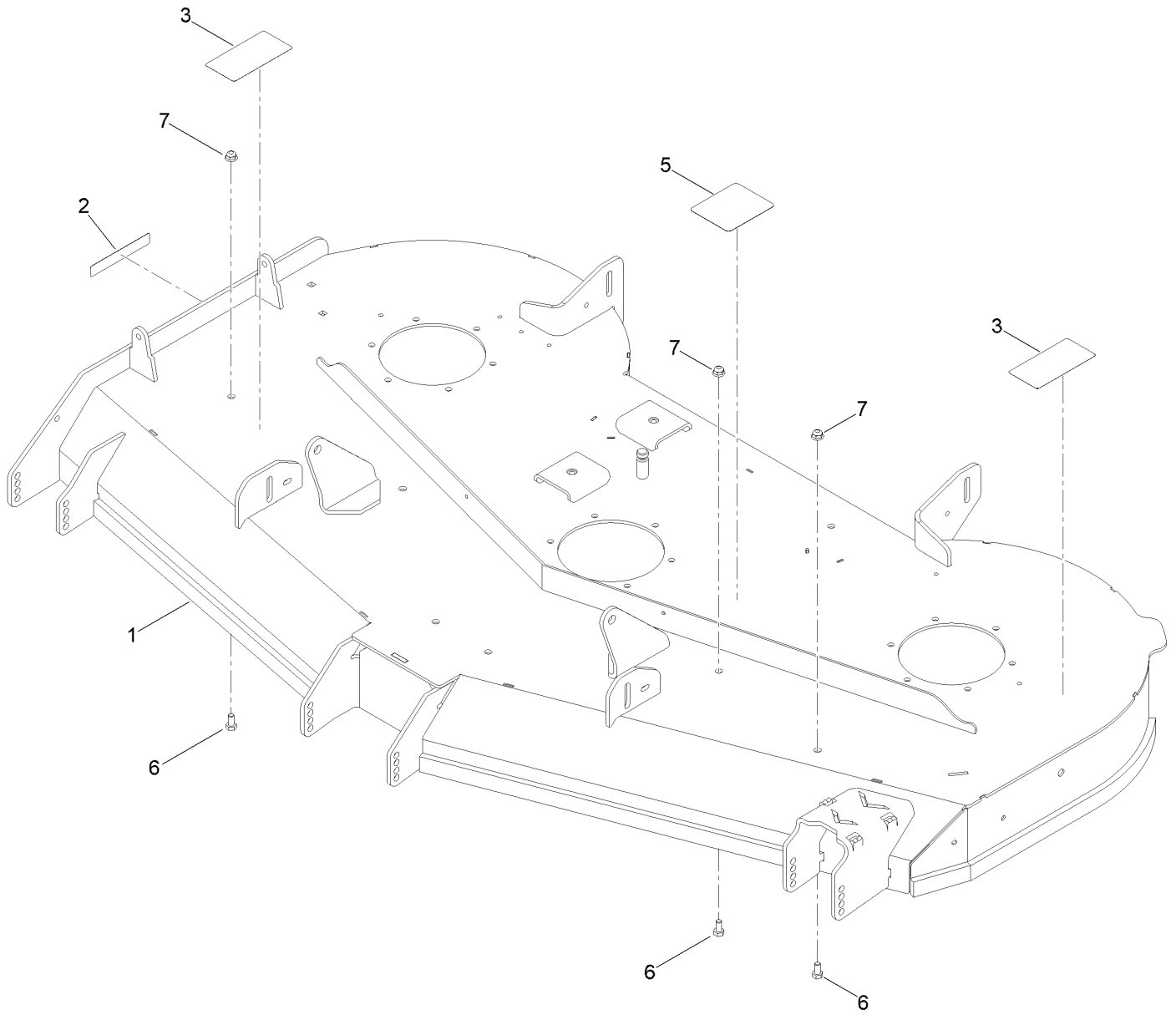
60 Inch Cutting Deck Assembly



60 Inch Cutting Deck Assembly (continued)

<i>Ref.</i>	<i>Part Number</i>	<i>Qty.</i>	<i>Description</i>	<i>Ref.</i>	<i>Part Number</i>	<i>Qty.</i>	<i>Description</i>
1	161-6451	1	60 In Deck & Decal ASM	32	148-0515	1	Deflector-Discharge
2	148-0443	1	Decal-Xtf	33	115-5048-P11	1	Plate-Deflector
7	139-2357	3	Spindle ASM	35	98-5967	1	Spacer-Wheel
7:2	116-0720	2	Bearing-Ball	36	147-2854	1	Cover-Belt, LH
7:3	138-7220	1	Spacer-Bearing	37	147-2853	1	Cover-Belt, RH
8	32144-41	18	Screw-Taptite	38	147-2872	2	Stud-Ball
9	115-2642	3	Shaft-Spindle	39	147-2871	2	Grommet-Ball
10	138-7221	3	Shield-Bearing	40	115-7373	2	Nut-Lock
11	147-7674	3	Pulley	41	120-7950	4	Screw-Torx
12	7-4150	3	Washer	43	3219-7	3	Nut-Hex
13	115-9649-03	3	Blade-Hi Flow	44	110-9981	3	Washer-Plain
14	145-0412	3	Screw-Blade	45	3231-31	1	Screw-CARR
15	114-0463	2	Washer-Friction, Composite	46	80-6990	3	Washer-Hardened
16	138-7225	1	Spacer	47	323-9	2	Screw-HH
17	145-7038	1	Idler Arm ASM	48	119-4042	5	Nut-HF, NI
18	138-7227	3	Bushing-Idler	49	3230-22	2	Screw-CARR
19	132-4718	3	Pulley-Idler, Flat	50	119-4041	9	Nut-HF
20	136-5615	1	Guide-Belt, Idler	51	323-23	2	Screw-HH
21	138-7228	1	Spring-Extension	52	108-5388	1	Screw-HH
22	119-3388-P11	1	Baffle-Cutoff	53	322-2	3	Screw-HH
23	1-603299	4	Roller-Scalp, Anti	54	323-10	1	Screw-HH
24	138-7229	2	Tube-Spanner	55	3230-3	4	Screw-CARR
25	104-0892	2	Spacer-Axle, Rear	56	3256-68	2	Washer-Flat
26	133-1168	1	Belt-V	70	32144-4	4	Screw-HWH
28	138-7231	1	Pin-Chute	82	99-7375	1	Hose-Breather
30	114-1648-P11	1	Bracket-Deflector, Upper	83	148-0781	1	Bumper-Deck
31	138-7232	1	Spring-Torsion	84	32144-70	2	Screw-HWHTF

Deck Decal Assembly No. 161-6451

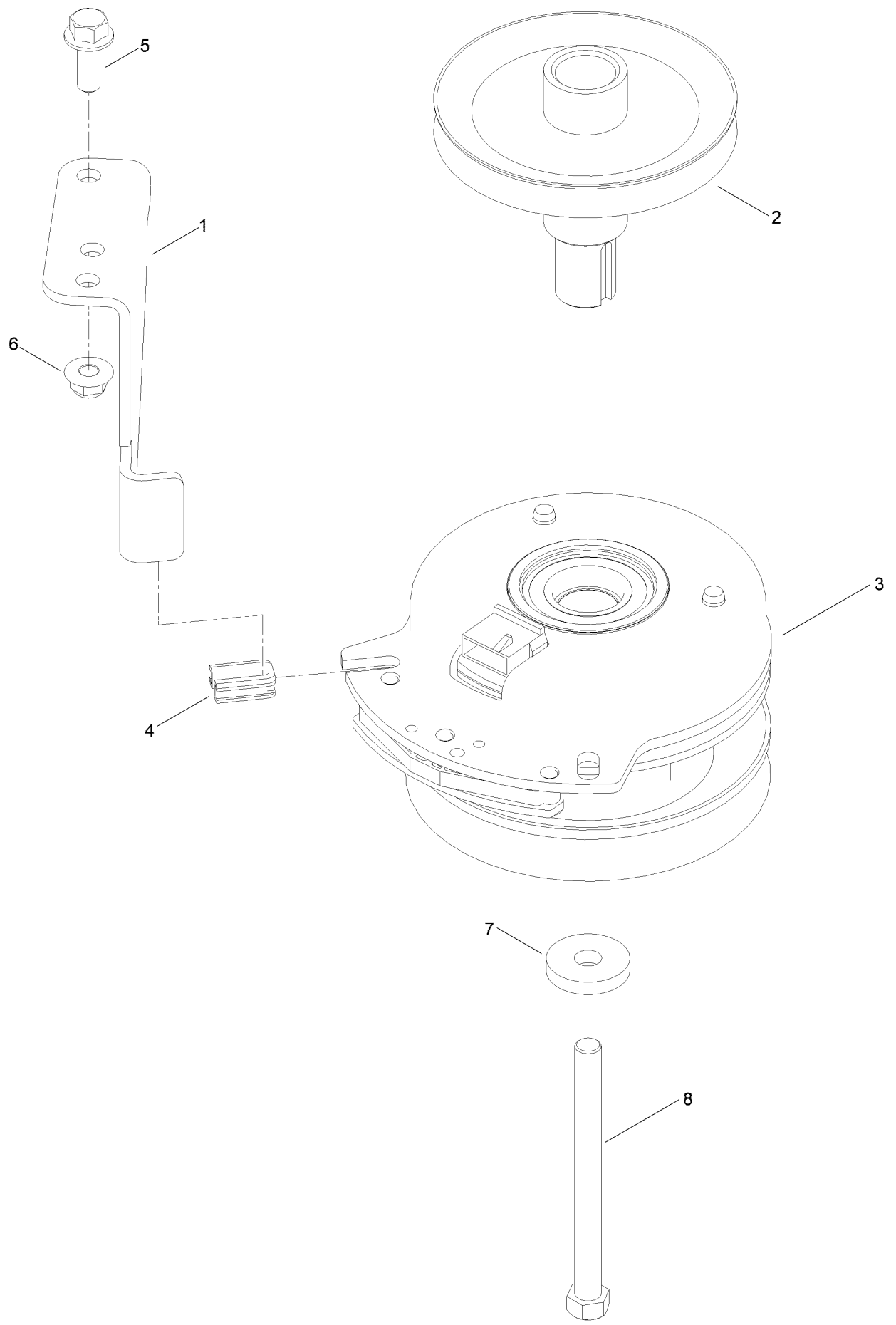


Deck Decal Assembly No. 161-6451 (continued)

<i>Ref.</i>	<i>Part Number</i>	<i>Qty.</i>	<i>Description</i>	<i>Ref.</i>	<i>Part Number</i>	<i>Qty.</i>	<i>Description</i>
1		1	Deck-60 ●	5	163-5997	1	Decal-Routing, Belt
2	130-0731	1	Decal-Danger	6	139-2585	3	Screw-HH
3	132-0872	2	Decal-Danger, Deck	7	119-4041	3	Nut-HF

● Not serviced separately

Clutch Assembly



Clutch Assembly (continued)

<i>Ref.</i>	<i>Part Number</i>	<i>Qty.</i>	<i>Description</i>	<i>Ref.</i>	<i>Part Number</i>	<i>Qty.</i>	<i>Description</i>
1	137-7000	1	Stop-Clutch (Wide)	5	3234-42	1	Screw-HHF
2	138-9831	1	Pulley-Engine	6	119-4042	1	Nut-HF, NI
3	127-3410	1	Clutch-PTO	7	112843	1	Washer
4	120-2217	1	Isolator-Clutch	8	3212-19	1	Screw-HH

Attachments and Accessories

For SZDE1K60730KR — Defender 60in Mower

Product Name	Model/Part
Defender Powered Twin Bagger	SP09103
60in Recycler Kit.....	148-1281
48/54/60 Striping Kit	148-1367
Assist Bar Kit	148-1286
Defender Jack Mount Kit.....	148-1371
Jack Kit.....	127-6666
Arm Pad Upgrade Kit.....	148-1417
Slope Sensor Kit.....	79489
Kawasaki Oil Change Kit	148-1384
Kawasaki Maintenance Kit.....	148-1385
Spartan 5W-40 Fully Synthetic Engine Oil	785-1001-00
Mower Cover	148-0276
Rear Hitch Kit	148-1405

Notes:

Notes:

Notes:

